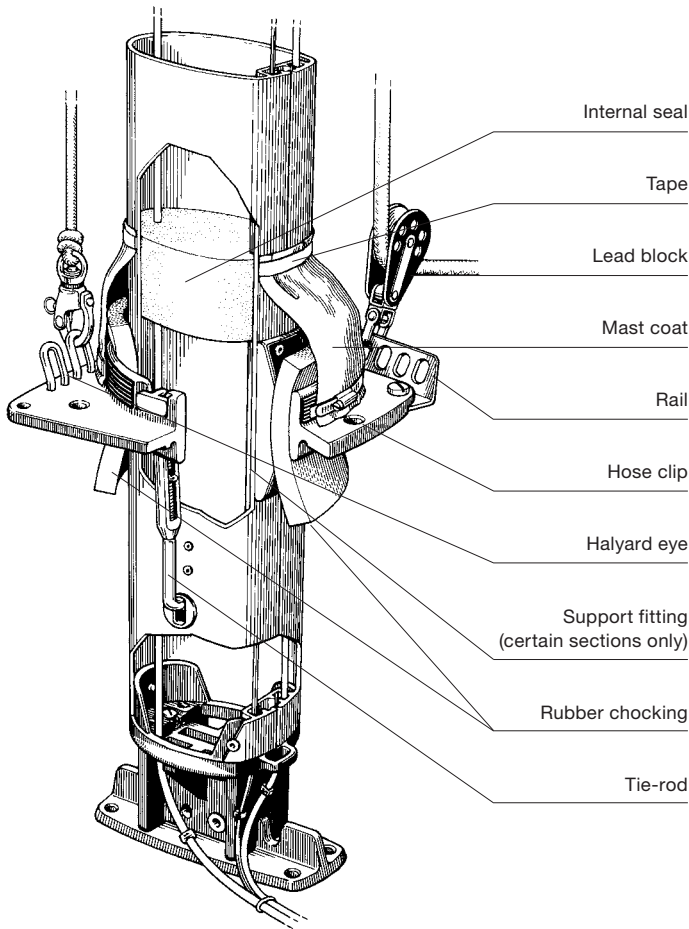


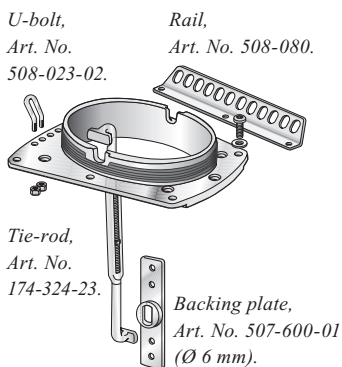
Deck ring system for keel-stepped conventional masts, E-sections and D-sections



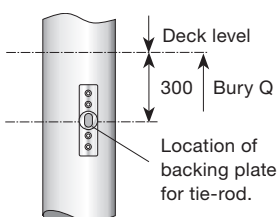
When the mast is keel-stepped, it is important to secure the deck to the mast, especially when the halyards are led via turning blocks attached to the deck ring. Otherwise, the lifting force of the halyards could lift the deck. Seldén traditional deck ring incorporates a “tie-rod system” to eliminate this lifting action. Rubber wedges are used to fix the mast in the deck ring.

Rails and halyard eyes are available as extras.

Deck ring arrangements E-sections and D-sections



Tie-rod will take halyard load not shroud load.



Mast section	Deck ring (tie-rod not included)			
	No extra function	+ Rail* 508-080 + 4 halyard eyes 508-023-02	Separate rail SB or PS incl. bolts*	Two tie-rod rigging screws incl. backing plates
E130	Obsolete	533-008-03 Deckring is drilled for rail + eye function	Included in casting	174-042-04
E138				
D129				
E155	Obsolete	533-011-04	508-080-01	174-042-04
E170				
D137				
D146				
E177	533-009-01	533-009-04	508-080-02*	174-042-04
E189	Size 3			
E206	253 x 200			
D160				
E224	533-010-01	533-010-04	508-080-02*	174-042-04
E237	Size 4 302 x 232			
E274	533-012-01	533-012-04	508-080-02*	174-042-04
	Size 5 338 x 248			

* Must not be used for genoa/main/spinnaker if RM > 43 kNm. Rail 508-080 bolted through deck can be used for RM < 130 kNm.



Wedgings, mast coats, clips E-sections

Mast section	Deck ring size	Wedging Art. No.	Mast coat Art. No.	Upper circumference, mm	Upper seal	Hose clip Art. No.
E122	No ring available		530-022	381	Tape	Depends on deck ring size
E130	Size 1	2 x 530-205	530-022	381	25 mm	312-204
E138		2 x 530-205 + 2 x 530-206	530-022	381		312-204
E155	Size 2	2 x 530-204 + 2 x 530-206	530-024	439		312-205
E170		1 x 530-204 + 1 x 530-205 + 1 x 530-206	530-025	473		312-205
E177	Size 3	2 x 530-204 + 2 x 530-206	530-026	500		312-206
E189/132B		4 x 530-202	530-027	539		312-206
E206/139B		2 x 530-202 + 2 x 530-203	530-028	568		312-206
E224	Size 4	2 x 530-202 + 2 x 530-203	530-029	630		2 x 312-202*
E237		4 x 530-202	530-030	660		2 x 312-202*
E274/185B	Size 5	2 x 530-202 + 2 x 530-207	530-031	752		2 x 312-203*

Rubber for wedgings

Art. No.	Dim., mm
530-202	20 x 150 x 150
530-203	10 x 150 x 150
530-204	25 x 110 x 150
530-205	20 x 110 x 150
530-206	10 x 110 x 150
530-207	20 x 150 x 225

Hose clips

Art. No.	Dim., mm min/max
312-202	130/165
312-203	150/180
312-204	175/205
312-205	200/231
312-206	251/282

* To be spliced.

Deck ring system for keel-stepped furling masts, R-sections



The deck ring system for keel-stepped furling masts has the same design as the conventional deck ring system. It incorporates the same features, including chocking system, internal sealing, and a tie-rod system to eliminate the lifting action of the halyards.

Deck rings

Mast section	Art. No. No extra function (dim., mm)	Art. No. incl. rail*	Art. No. Rail**	Art. No. Two tie-rod rigging screws incl. backing plates.
R190	533-013-01 (230 x 154)	533-013-02	508-155-01	174-042-04
R213	533-014-01 (256 x 154)	533-014-02	508-155-01	174-042-04
R214	533-009-01 (253 x 200)	533-009-02	508-080-02	174-042-04
R232	533-015-01 (282 x 180)	533-015-02	508-155-01	174-042-04
R235	533-015-01 (282 x 180)	533-015-02	508-155-01	174-042-04
R260	533-010-01 (302 x 232)	533-010-02	508-080-02	174-042-04
R290	533-012-01 (338 x 248)	533-012-02	508-080-02	174-042-04

* U-bolt (M8 x 53 mm) + nuts for halyard, Art. No. 508-023-02 1-4 can be fitted.

** Must not be used for genoa/main/spinnaker if RM > 43 kNm. Rail Art. No. 508-080 bolted through deck can be used for RM < 130 kNm.

Tie-rod is designed to take halyard load, not shroud load.

Wedgings, mast coats, clips

Mast section	Deck ring dia., mm	Wedging Art. No.	Mast coat		Upper circumference, mm	Upper seal	Hose clip Art. No.
			Art. No.	Dia., mm			
R190	230 x 154	2 x 530-202 + 2 x 530-203	530-025	141/220	473	Tape 45 mm	312-205
R213	256 x 154	2 x 530-202 + 2 x 530-203	530-027	159/268	539		312-206
R214	253 x 200	2 x 530-202 + 1 x 530-203	530-028	171/268	568		312-206
R232	282 x 180	3 x 530-202	530-028	171/268	568		312-206
R235	282 x 180	3 x 530-202	530-028	171/268	568		312-206
R260	302 x 232	2 x 530-202 + 1 x 530-203	530-030	195/312	660		2 x 312-202*
R290	338 x 248	3 x 530-207 + 1 x 530-203	530-031	226/337	752		2 x 312-203*

* To be spliced.

Deck ring system for larger keel-stepped masts

The opening is held by a sturdy O-ring, squeezed vertically between two deck rings. The lower deck ring is permanently bolted to the deck head. When in place, it allows sufficient mast movement in all directions.



Deck rings

Mast section	Art. No.	(dim, mm)	Remarks
C321	533-016-01	(358 x 202)	Rails and tie-rods cannot be integrated.
E365	533-019-01	(405 x 225)	
F324	533-016-01	(358 x 202)	
R370	533-019-01	(405 x 225)	
F406	533-036-01	(583 x 383)	

Mast coats

Mast section	Deck ring size, mm	Inner sealing coat Art. No.	Outer canvas coat Art. No.
C321	358 x 202	530-038	530-040
E365	405 x 225	530-039	530-041
F324	358 x 202	530-038	530-040
R370	405 x 225	530-039	530-041
F406	583 x 383	530-069	-