

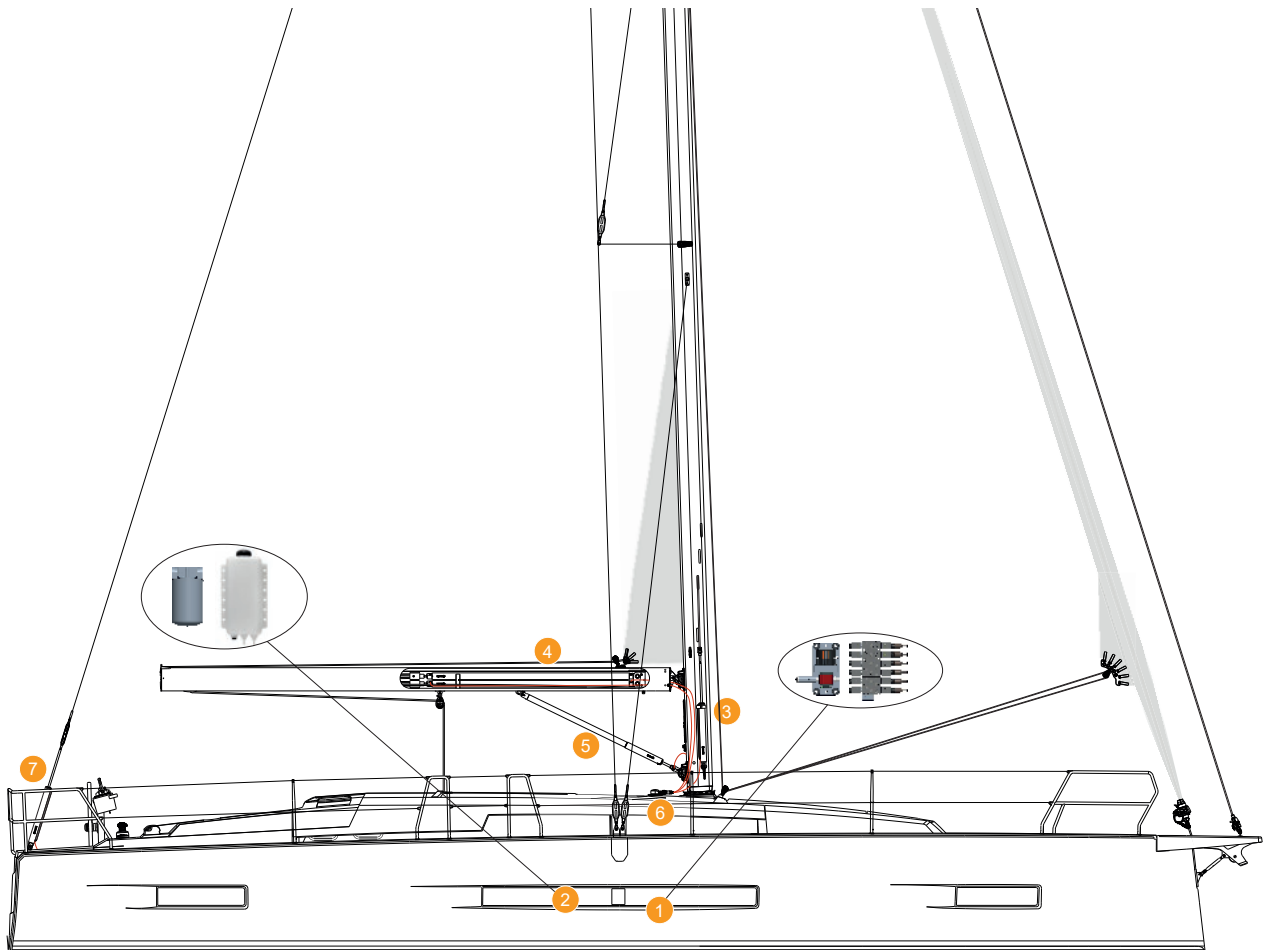
Hanse 410 – Furlina

*SEL-Bus, HPS,
Deck Hardware and Sail Hardware*



Technical guide

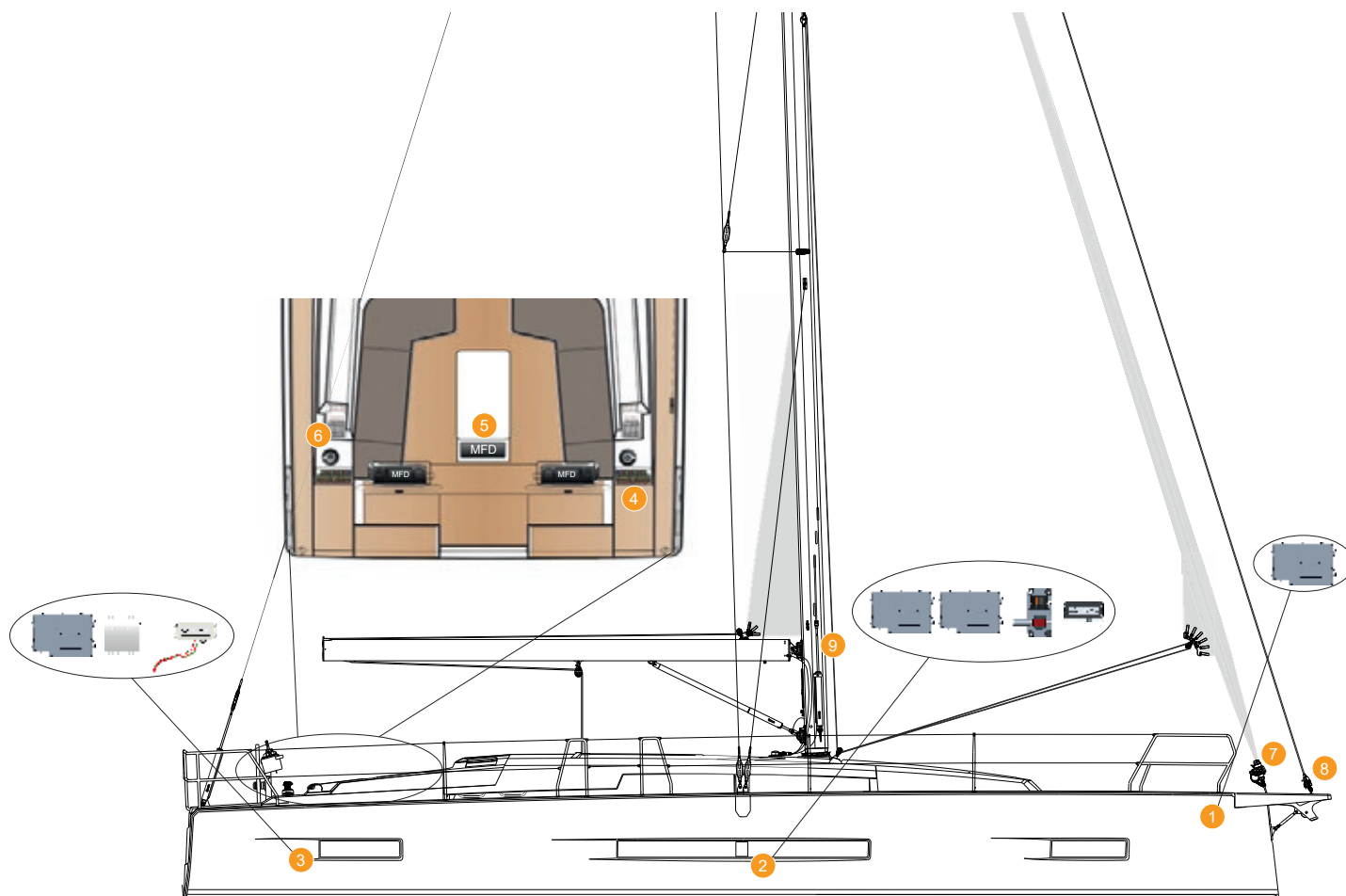
HPS System



- 1 2x HPS SEL-Bus 42V hydraulic pumps
1x 6 function hydraulic valve block
6x Pressure sensors to monitor tension in all hydraulic cylinders
- 2 1x 7.6L hydraulic reservoir
1x hydraulic oil filter
- 3 2x W8/10 HT tensioners for halyard tensioning
- 4 2x Double acting boom cylinders with tackle assembly for main sheet and outhaul control

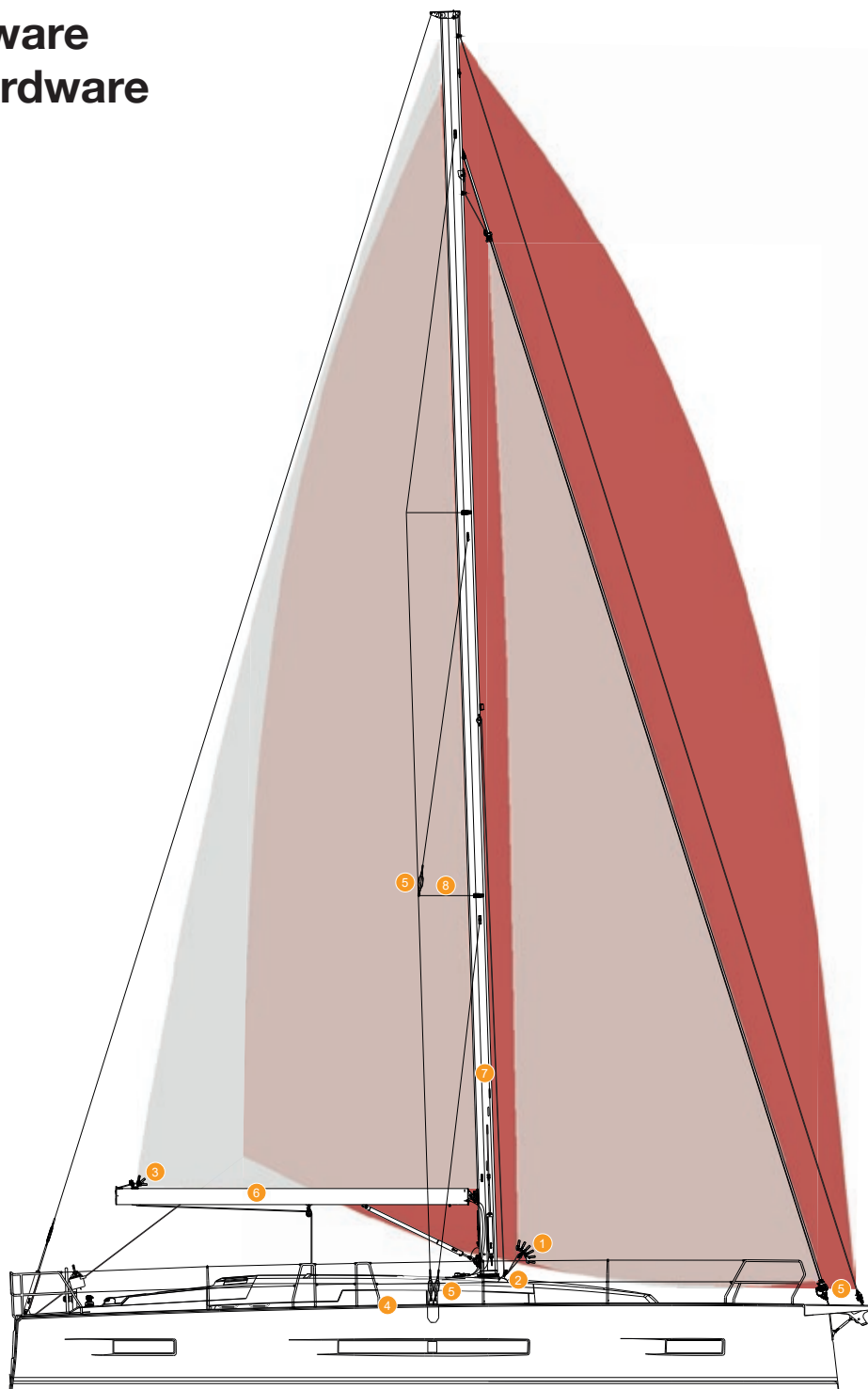
- 5 1x HV46 hydraulic boom vang
- 6 3x Double hydraulic deck glands with quick couplings
- 7 1x W8/10 HT tensioner with bridle for backstay tensioning

SEL-Bus System



- | | |
|--|---|
| <p>1 2x MCU (Motor Control Unit) to control Furlex 304E and CXe 25</p> <p>2 2x PSU (Power Supply Unit)
3x MCU to control main furler and 2x HPS Hydraulic pumps
3x Valve/relay control units to control hydraulic valve pack
2x HPS SEL-Bus 42V Hydraulic pumps</p> <p>3 2x MCU to control E40REV winches
1x CCU (Central Control Unit)
7x SEL-Bus converters for button control</p> <p>4 2x Control panels with 23 pushbuttons each</p> | <p>5 3x MFD (Multi Funcional Display) for data display and touch control</p> <p>6 2x E40rev Winch</p> <p>7 1x Furlex 304E</p> <p>8 1x CXe 25</p> <p>9 1x Furlin RC Electric in-mast furling</p> |
|--|---|

Deck Hardware and Sail Hardware



- | | | | |
|---|--|---|---|
| 1 | 1x Clewboard for webbing (463-005-01)
and RBB60 Single, Soft attachment (406-201-32) | 5 | 2x Cyclops 5/8" load sensing rigging screw
2x Cyclops 1/2" load sensing rigging screw
2x Cyclops 7/16" load sensing rigging screw
1x Cyclops Furlex load sensing pin |
| 2 | 1x Track 30 System, Double self tacking jib car
(443-179-02) with RBB60 Double (406-201-05) | 6 | Boom profile B232 |
| 3 | 1x Clewblock CLB25 (462-502-01) | 7 | Furling Mast profile F252 |
| 4 | 2x Track 30P System, Performance Genoa Car
(443-350-02) | 8 | 1x Selden spreader radar mount |