

E40i

Electric winch



 **SELDÉN**
for sailing

E40i - The easily placed electric winch

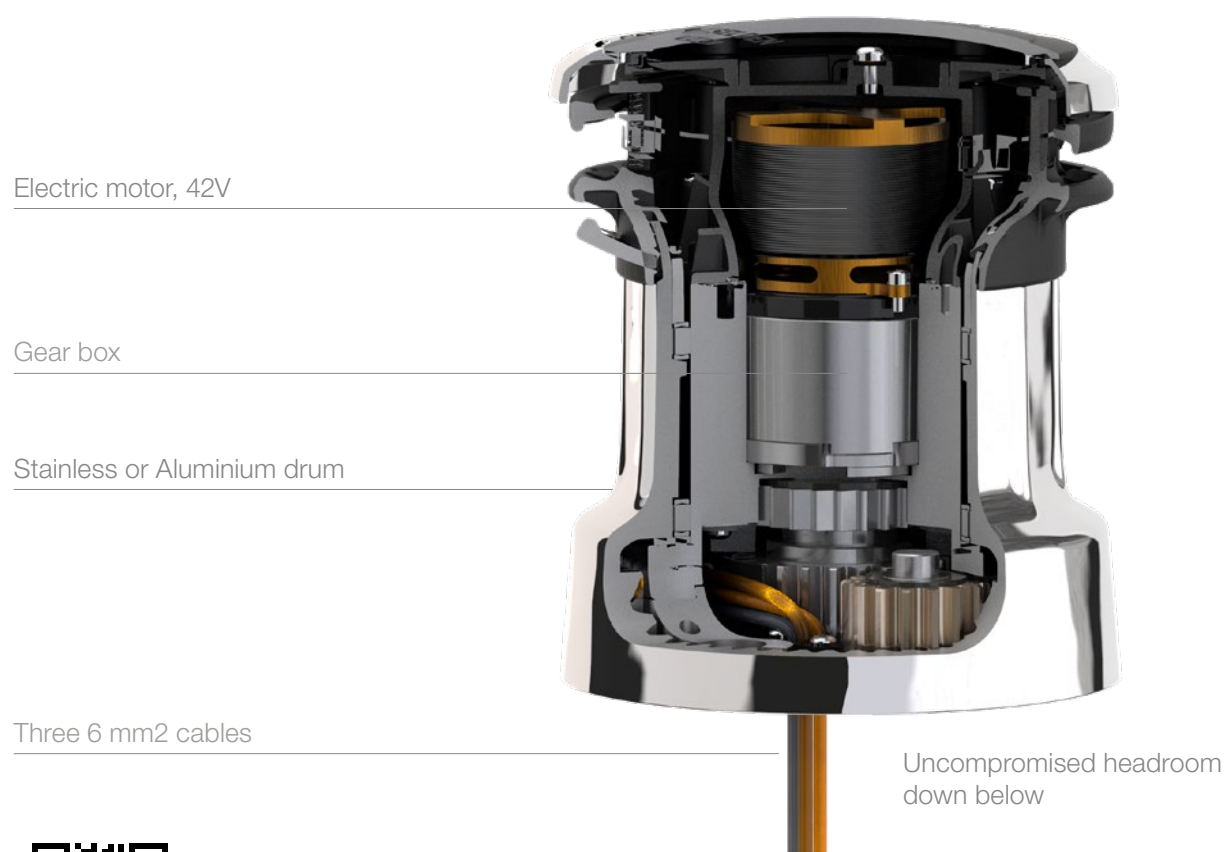
The coach roof is the normal place for a winch that operates halyards, reef lines, outhaul and control lines.

The E40i winch is built up around an electric motor which is totally integrated in the drum. Only three thin cables are protruding to lead through the coach roof or the deck, no large cutouts and no external motor or gearbox.

This makes for uncompromised headroom down below.

No sweat

Hoisting your main will no longer be a struggle. Self-tailing function and 3-speed operation makes E40i ideal for any line where you need the combination of speed and fine-tuning.



Scan and watch
Synchronized Main
Furling

E40i is powered up by Seldén's SEL-Bus system and a Power Supply Unit converting 12/24V to 42V which makes for an efficient and compact design. An interplay between E40i and Seldén's electric furling mast forms the ingenious **Synchronized Main Furling** system developed by Seldén. Press one button and E40i will tension the outhaul simultaneously as the mast motor unfurls the sail from the mast.

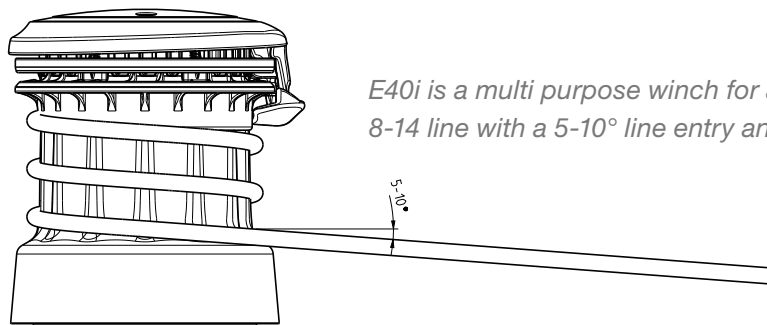


Art. No.	E40i
471-540-10	Stainless drum
471-540-20	Aluminium drum



TECHNICAL SPECIFICATION

Base dia, \varnothing mm	167
Drum dia, \varnothing mm	128
Height, mm	198
Weight, kg	Stainless: 9,1 Aluminium: 6,8
Line entry height, mm	60
Line entry angle	5-10°



E40i is a multi purpose winch for any 8-14 line with a 5-10° line entry angle.

Operation	3-speed
Line speed, m/min	High speed: 17 Intermediate speed: 11 Low speed: 6,5
Line size, \varnothing mm	8-14
Power consumption, W	1200
Cable size, mm ²	6
Voltage	42

Ordering E40i

Contact an authorized Seldén dealer for a quote including SEL-Bus and Power Supply Unit. Technical information and part numbers are available at www.seldenmast.com/technical information.

DINGHIESKEELBOATSYACHTS

Seldén Mast AB, Sweden

Tel +46 (0)31 69 69 00
e-mail info@seldenmast.com

Seldén Mast Limited, UK

Tel +44 (0)1329 50 40 00
e-mail info@seldenmast.co.uk

Seldén Mast Inc., USA

Tel +1 843-760-6278
e-mail info@seldenus.com

Seldén Mast A/S, Denmark

Tel +45 39 18 44 00
e-mail info@seldenmast.dk

**Seldén Mid Europe B.V.,
Netherlands**

Tel +31 (0)111-698 120
e-mail info@seldenmast.nl

Seldén Mast SAS, France

Tel +33 (0)251 362 110
e-mail info@seldenmast.fr

The Seldén Group is the world's leading manufacturer of mast and rigging systems in carbon and aluminium for dinghies, keelboats and yachts.

Our well known brands are Seldén and Furlex.

The worldwide success of Furlex has enabled us to build a network of over 750 authorised dealers covering the world's marine markets. So wherever you sail, you can be sure of fast access to our service, spare parts and know-how.

www.seldenmast.com

SELDÉN and FURLEX are registered trademarks of Seldén Mast AB.