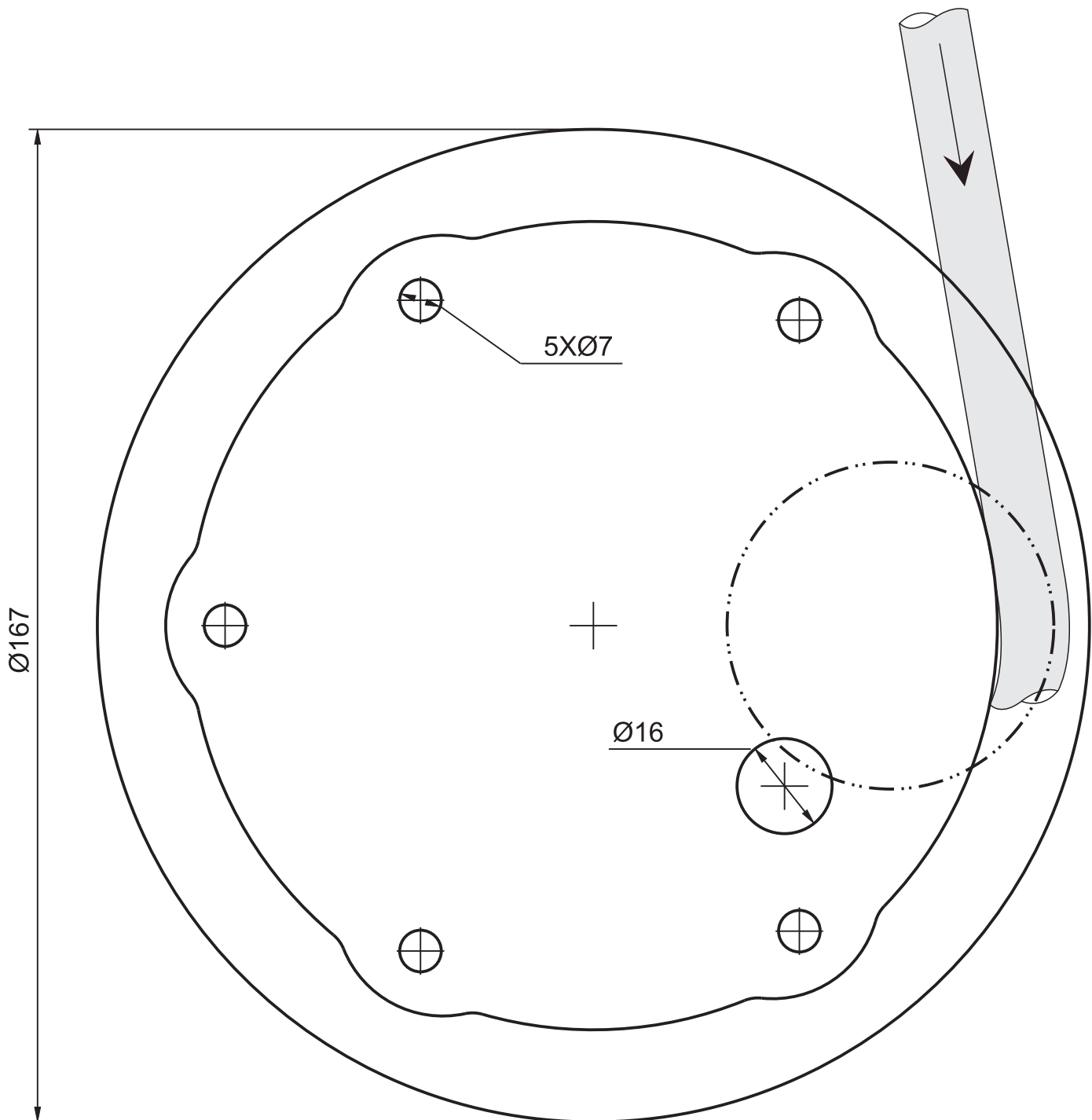


# Drilling template Winch E40i

597-291-E  
2019-04-16



Attention! Verify scale of print before drilling