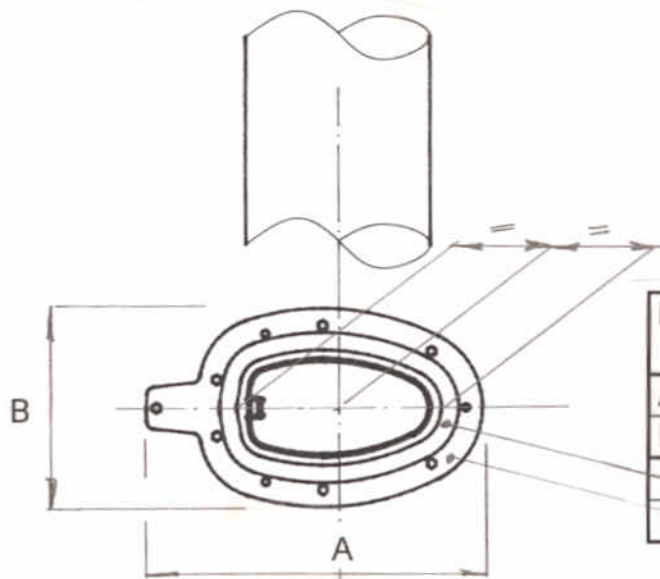
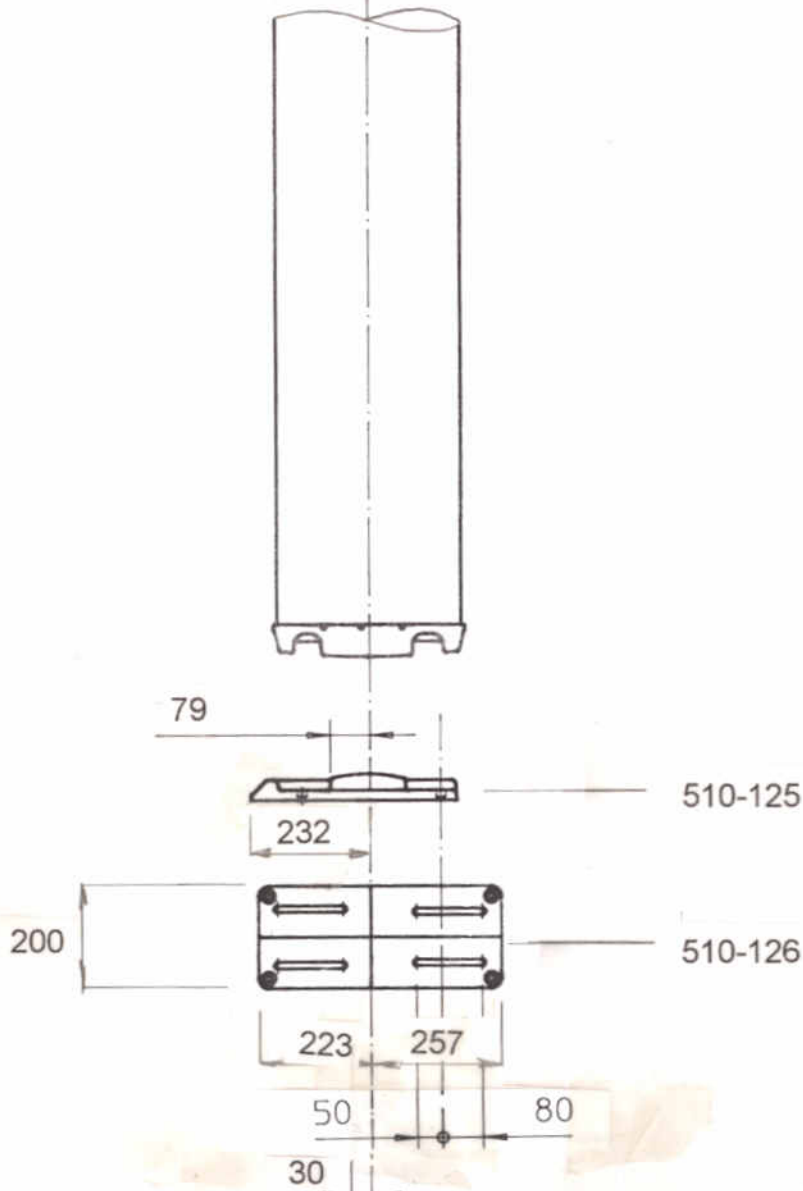




DECKRING / T-BASE LOCATION 321/171, 324/169, 365/194 & 370/192



MAST	321/171 324/169	365/194 370/192
A	618	646
B	365	390
	533-017	533-019
	533-016	533-018



\varnothing OF MAST AND DECKRING
 \varnothing OF "SQUARE" SHROUD CHAINPLATES