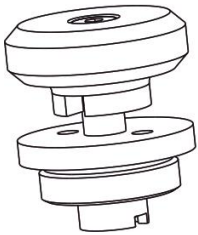
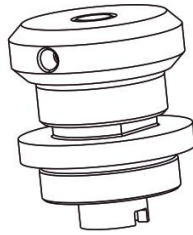


# REPLACEMENT OF PRESSURE RELEASE VALVE HTI TENSIONER, 584-715-10

Two version of release valves are used in the HTI backstay tensioners. The switch between the two versions was made 2019. The new design is reinforced and improved and supplied in this kit.



Old design= 584-705-01



New design from 2019= 584-715-01

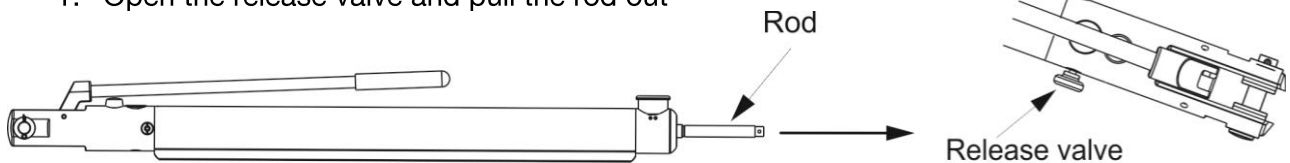
## Tools

- Hex wrench, 2,5 mm
- Hex wrench, 8 mm
- Face pin wrench (the valve body has two 3 mm holes 13 mm apart)
- Wrench 12 mm

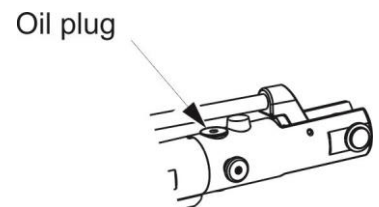


## Releasing pressure before disassembly

1. Open the release valve and pull the rod out



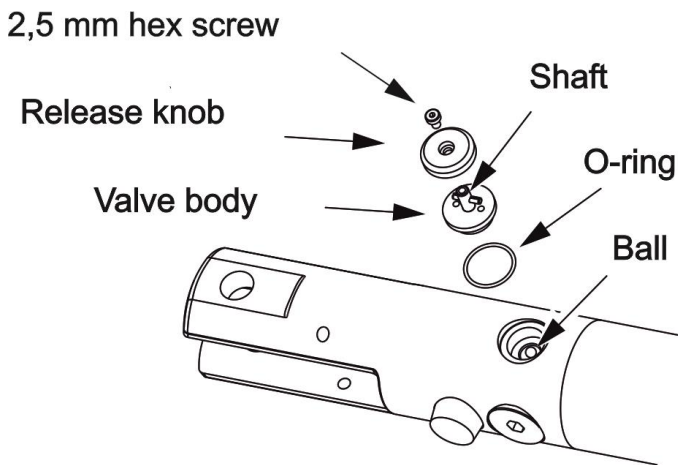
2. Place the oil plug as the highest point, Open it carefully with the 8mm hex wrench (to make sure there is no pressure inside)



3. Close it again

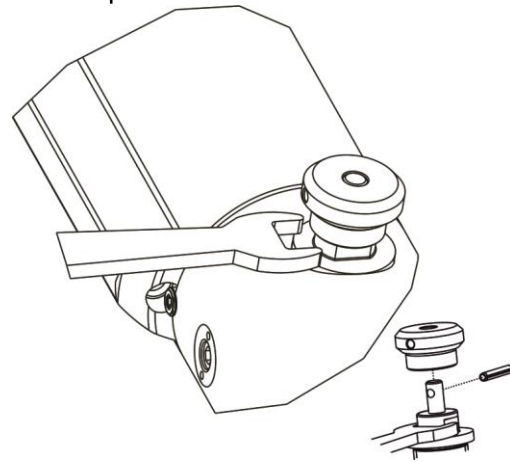
## Disassembly 584-705-01

1. Fix the tensioner with the release valve facing upwards
2. Unscrew the 2,5 mm hex screw
3. Pull the release valve knob off
4. Remove the valve body by unscrewing it with the face pin wrench



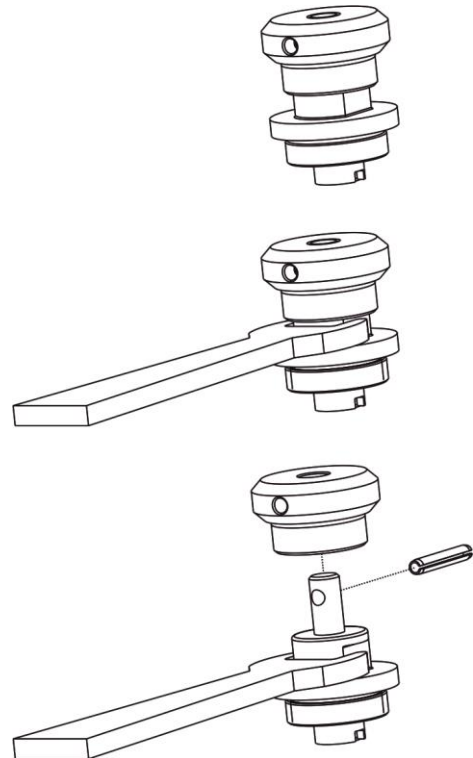
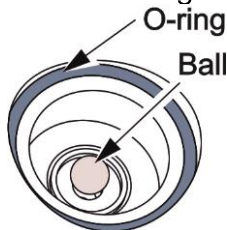
## Disassembly 584-715-01

1. Fix the tensioner with the release valve facing upwards
2. Unscrew the release valve as much as possible.
3. Fit a wrench on the socket on the release valve body and unscrew the release valve. If the wrench needs more space the knob of the release valve can be removed by punching out the pin that holds the knob in place.



## Assembly 584-715-01

1. Check that the ball is centered in the hole at the bottom of the valve cavity
2. Put the O-ring at its seat in the valve cavity
3. Unscrew the valve as much as possible (counterclockwise) by hand, so wrench can be applied under valve shaft. If the wrench needs more space the wheel of the release valve can be removed by punching out the pin that holds the wheel in place.
4. Screw the valve body into the cavity, tighten with the wrench.



## Removal of trapped air

1. Close the release valve
2. With tensioner in **vertical** position, operate the pump lever until the rod is contracted to its inward end position
3. Open the release valve
4. With tensioner in **vertical** position, operate the pump lever back and forth approximately 10 times slowly
5. With tensioner in **horizontal** position, pull the rod out. (Handle downwards)
6. Close the release valve
7. With tensioner in **vertical** position, operate the pump lever until the rod is contracted to its inward end position
8. Open the release valve
9. With tensioner in **vertical** position, operate the pump lever back and forth approximately 10 times slowly

