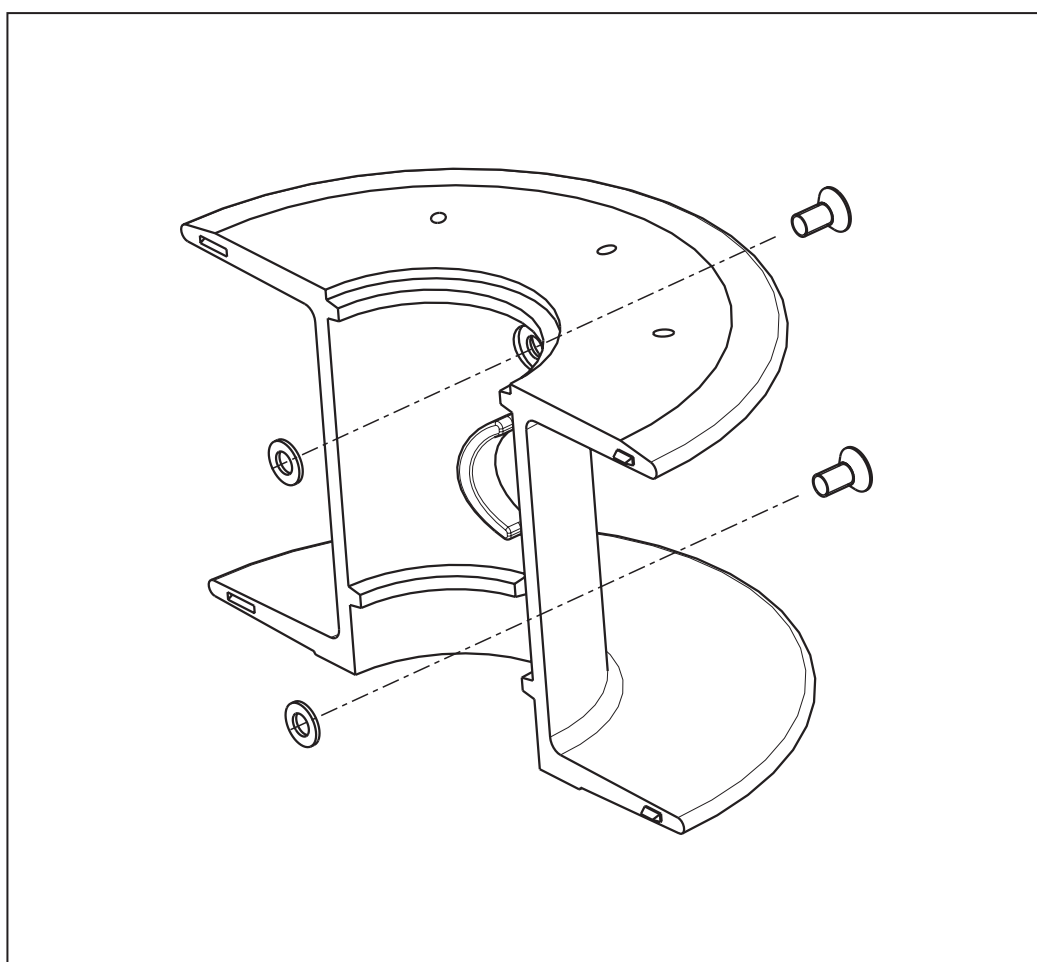


FURLEX

 SELDÉN

Spare Parts List Furlex *400 TD*



 SELDÉN

Bäste Furlex-ägare

Furlex säljs genom ett nät av auktoriserade återförsäljare som täcker alla marina marknader runt om i världen.

Auktorisationen omfattar praktisk och teoretisk utbildning i hur Furlex-systemet är uppbyggt.

Denna kunskap innebär professionell service till Dig som Furlex-ägare.

Vi önskar dig mycket skön segling och hoppas att denna reservdelslista kan vara till nytta om du någon gång behöver kontakta en återförsäljare för professionella råd eller assistans.

Dear Furlex-owner

Furlex is supplied via an extensive network of authorized dealers who cover the major sailing areas of the world.

The authorization ensures that each dealer is fully versed in the design, assembly and operation of Furlex - and is a guarantee of professional service. We wish you much enjoyable and carefree sailing and hope that this spare parts list will be of help if you ever require professional advice or assistance.

Lieber Furlex-Eigner

Furlex wird über ein Netz autorisierter Fachhändler weltweit in allen Segelregionen verkauft.

Die Autorisierung dieser Fachhändler erfolgt durch eine theoretische und praktische Schulung im Aufbau des Furlex-Systems.

Dieses Können gewährleistet Ihnen als Furlex-Besitzer professionellen Service. Wir wünschen Ihnen ein angenehmes Segeln und hoffen, daß Ihnen dieses Ersatzteilverzeichnis hilft bei eventuellem Bedarf eines Rates oder professioneller Hilfe.



OBS!

Plocka ej isär fallsvirveln eller nedre lagringsdelen. Det kan vara svårt att återmontera dessa delar på ett korrekt sätt. Bland annat ligger lagerbanornas kulor löst monterade. Vid behov av service, kontakta din Furlexåterförsäljare.



NOTE!

Do not dismantle the halyard swivel or lower bearing assembly. You will find it difficult to re-assemble them correctly (the ball-bearings are loose and difficult to refit!). Contact your Furlex dealer if service is required.



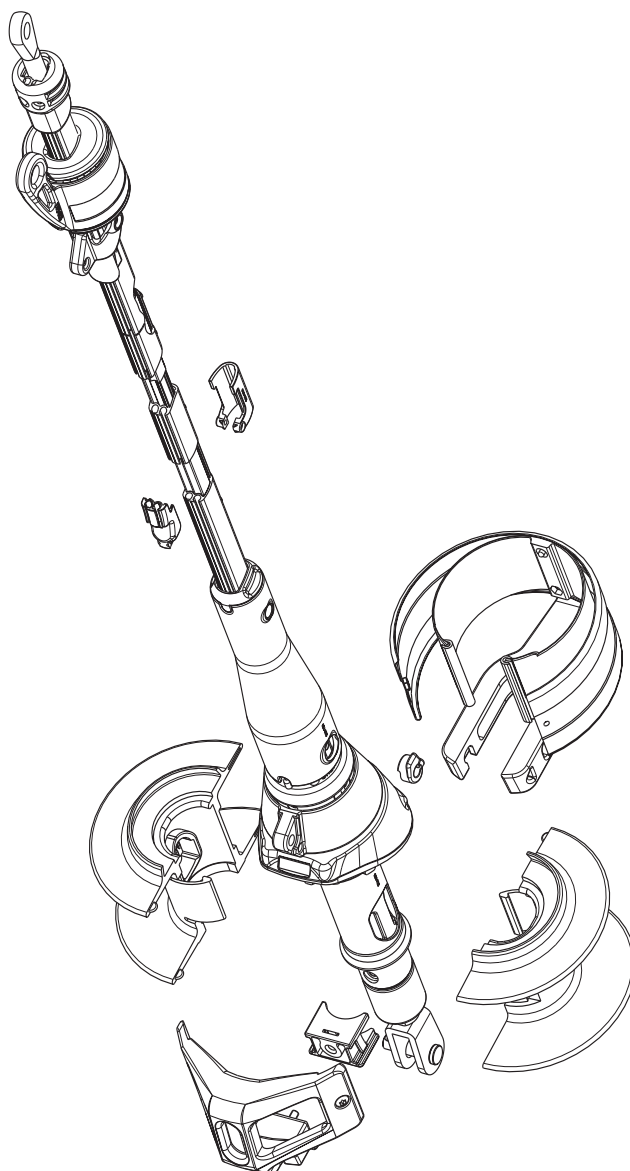
ACHTUNG!

Nehmen Sie den Fallschlitten oder die untere Lagerung nicht auseinander. Es ist schwer diese wieder korrekt zu montieren. Unter anderem liegen die Kugeln lose montiert. Wenden Sie sich bei Bedarf an Ihren Furlex- Händler.

Seldén Mast AB reserves the right to alter the design or specification without prior warning; to allow unrestricted future product development.

Contents

	Page
Halyard swivel	4
Lower swivel	6
Deck collar	8
Torque Tube	8
Line drum half	9
Wireterminal with toggle	10
Line guard bracket assembly	11
Line guide fitting assembly	11
Luff extrusions	12
Additional items	14

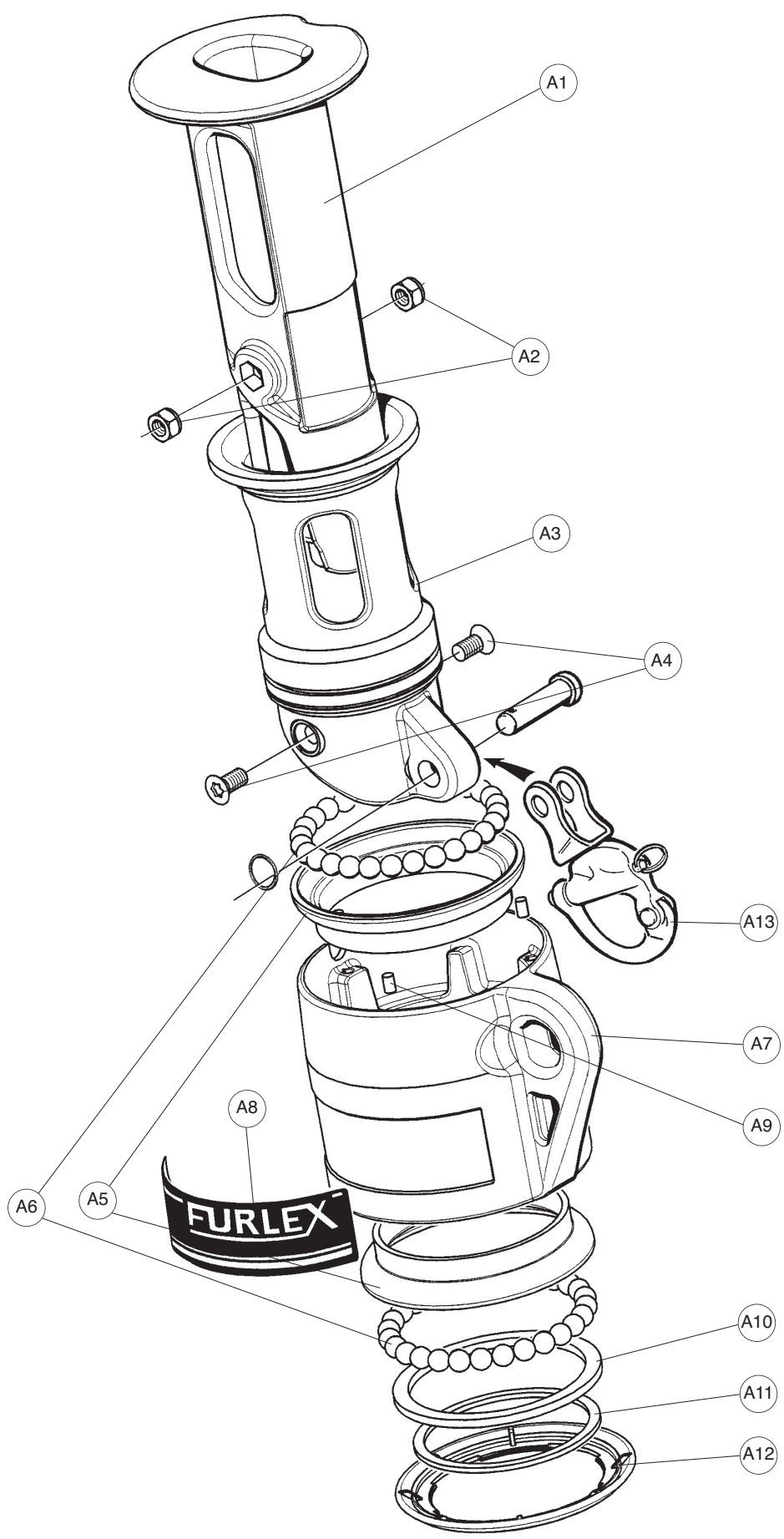


Halyard swivel

Description A

Item	Description	Dimension		Forestay wire size	
		Qty	→	Ø 12 mm	Ø 14 mm
		Assembly number		539-181-01	539-181-01
A1	Sliding Sleeve	Ø 110x148	1	539-182	539-182
A2	Locking nut	M8	2	158-006	158-006
A3	Hub	Ø 92x170	1	539-181	539-181
A4	Screw	MFT 8x16	2	162-033	162-033
A5	Ball bearing ring	Ø 107/84-21	2	539-170	539-170
A6	Balls	Ø 10	2x28	539-050	539-050
A7	Eye ring	Ø 116x106	1	539-183 ¹⁾	539-183 ¹⁾
A8	Label	309x35	1	591-537	591-537
A9	Buffer	Ø 5x8	3	319-656	319-656
A10	Washer	Ø 97/79-4	1	164-447	164-447
A11	Clip ring	MST 315	1	301-503	301-503
A12	Cover	Ø 110x7.5	1	539-178	539-178
A13	Snap shackle	120 mm	1	307-340	307-340

¹⁾	Only as an assembly A7-A8	1	539-183-01	539-183-01
---------------	---------------------------	----------	------------	------------

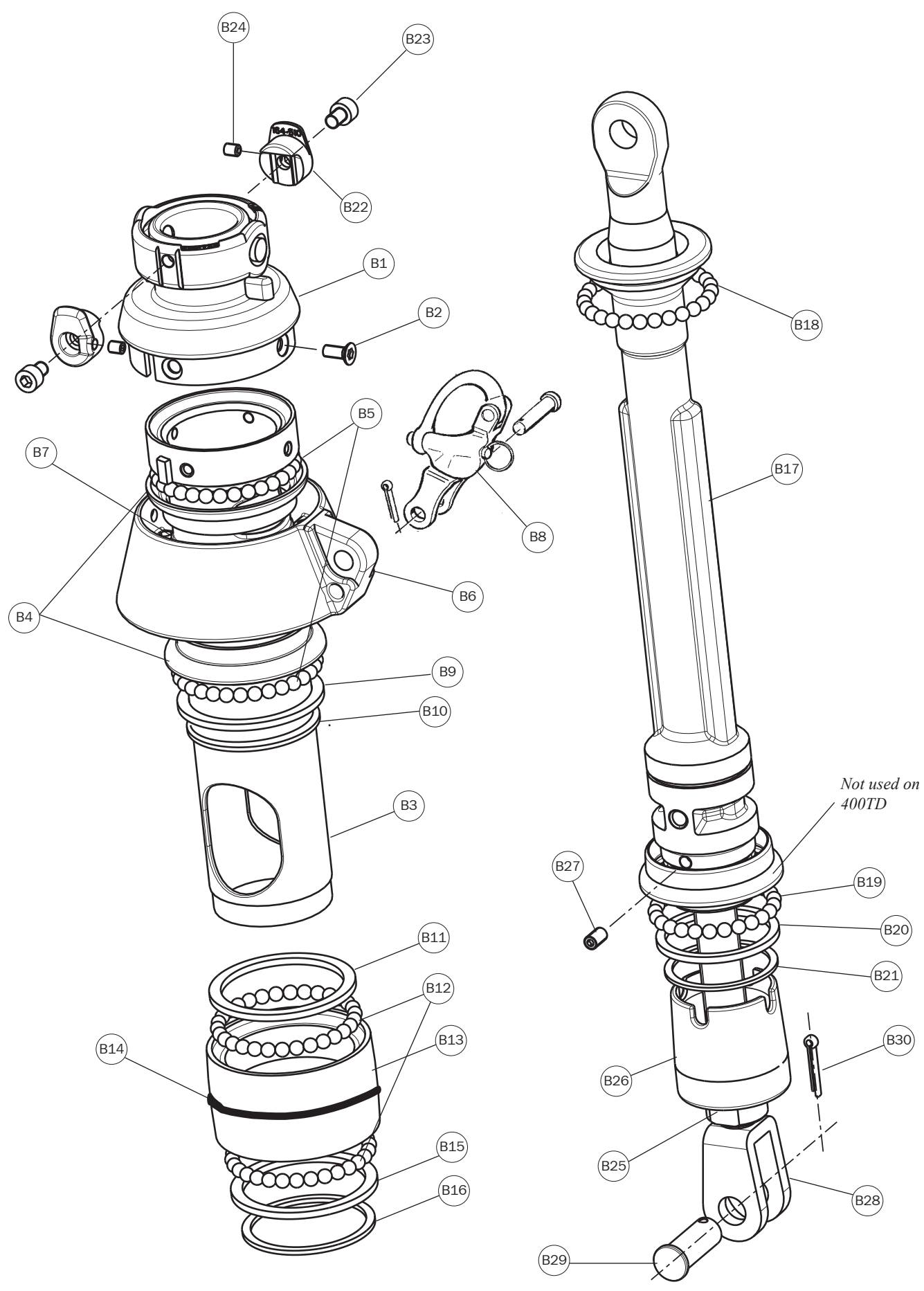


Lower swivel

Description B

Item	Description	Dimension		Forestay wire size	
		Assembly number	Qty	Ø 12 mm	Ø 14 mm
			→	539-751-01	539-751-01
B1	Carrier assembly	FLX 400TD	1	539-753-01	539-753-01
B2	Screw	MFT 8x16	4	162-033	162-033
B3	Hub	Ø 107/94-344	1	539-752	539-752
B4	Ball bearing ring-outer	Ø 119/95-21	2	539-172	539-172
B5	Ball	Ø 10	2x32	539-050	539-050
B6	Tackring	Ø 160x57	1	539-155	539-155
B7	Buffer	Ø 5x8	3	319-656	319-656
B8	Snap shackle	120 mm	1	307-340	307-340
B9	Washer	Ø 108/95-4	1	164-448	164-448
B10	Clip ring	MST 368	1	301-518	301-518
B11	Washer	Ø 108/95-4	1	164-448	164-448
B12	Ball	Ø 5/16"	2x39	319-591	319-591
B13	Deck bearing	Ø 118x56	1	539-755	539-755
B14	O-ring	Ø 104.1x5.7	1	530-491	530-491
B15	Washer	Ø 108/95-4	1	164-448	164-448
B16	Clip ring	MST 368	1	301-518	301-518
B17	Shaft	Ø 70x614	1	539-751	539-751
B18	Ball	Ø 10	26	539-050	539-050
B19	Ball	Ø 8	30	539-128	539-128
B20	Washer	Ø 85/70-4	1	164-446	164-446
B21	Clip ring	MST 275	1	301-502	301-502
B22	Boss	Ø 30	2	164-515 ¹⁾	164-515 ¹⁾
B23	Screw	MC6S 10x16	2	153-018	153-018
B24	Grub screw	MSK6SS 6x8	2	153-102	153-102
B25	Nut	Ø 40/36 (M20)	1	174-544 ²⁾	174-544 ²⁾
B26	Cap	Ø 58/48	1	174-553 ²⁾	174-553 ²⁾
B27	Grub screw	MSK6SS 8x10	2	153-110	153-110
B28	Fork terminal	M22x250 (8/10)	1	174-552 ²⁾	174-552 ²⁾
B29	Clevis pin	Ø 19x54	1	168-018	168-018
B30	Split pin	Ø 3x25	1	301-055	301-055

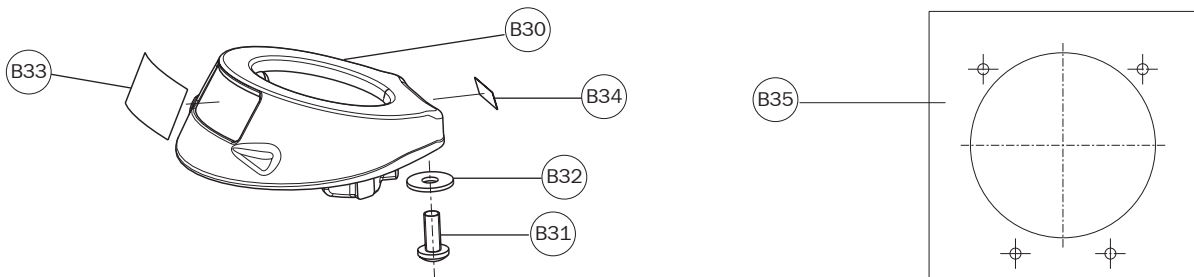
¹⁾	Only as a package B22-B24	2	164-515-01	164-515-01
²⁾	Only as an assembly B25-B30	1	174-552-01	174-552-01



Deck collar

Description B

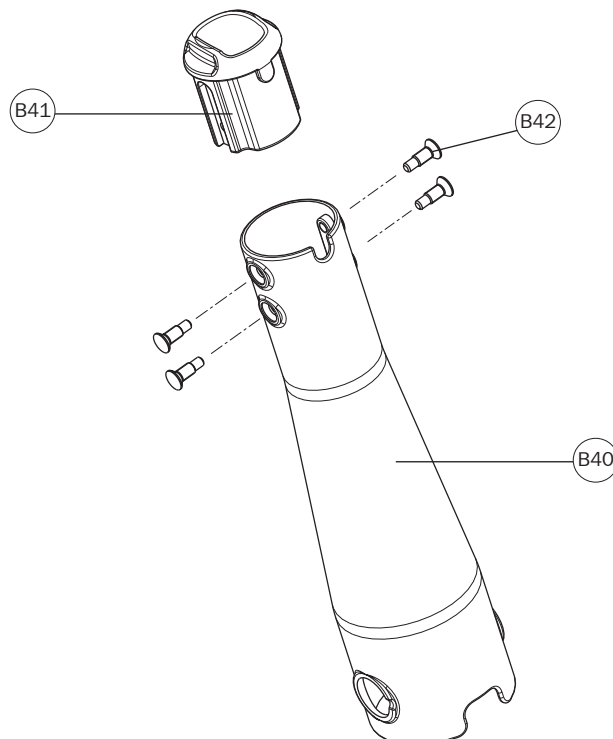
Item	Description	Dimension	Qty	Forestay wire size	
				Ø 12 mm	Ø 14 mm
		Assembly number	→	539-750-01	539-750-01
B30	Deck collar	Ø 195x85	1	539-750 ¹⁾	539-750 ¹⁾
B31	Screw	MRT 8x40	4	151-097	151-097
B32	Washer	Ø 24/8.4-2	4	164-514	164-514
B33	Lable	400TD 90x40	1	591-655	591-655
B34	Lable	400TD 44x14	1	591-656	591-656
B35	Template	220x220	1	595-936	595-936
¹⁾	Only as a package B30-35		-	539-750-01	539-750-01



Torque tube

Description B

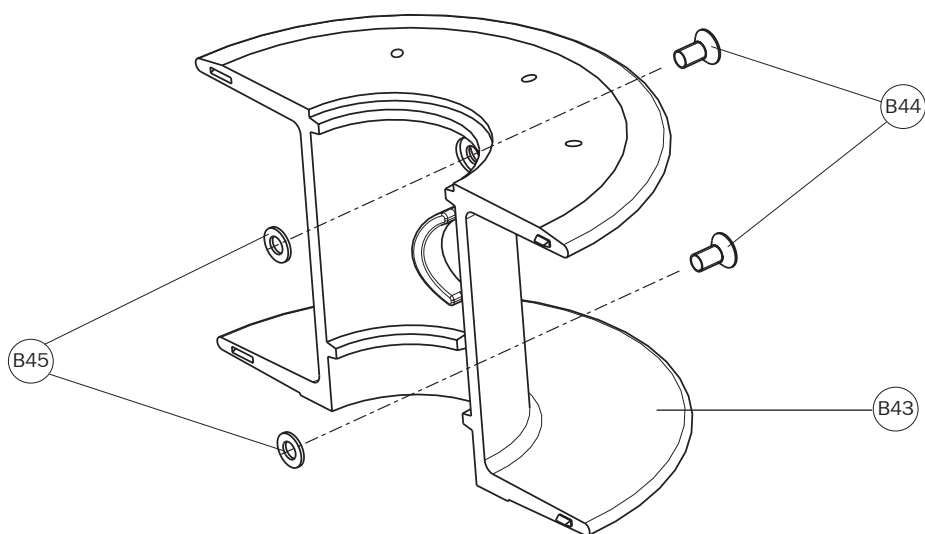
Item	Description	Dimension	Qty	Forestay wire size	
				Ø 12 mm	Ø 14 mm
		Assembly number	→	539-756-01	539-756-01
B40	Torque tube	Ø 99x380	1	539-756	539-756
B41	Adapter	Ø 66x78	1	539-757	539-757
B42	Luff screw	M8x25	4	162-083	162-083



Line drum half

Description B

Item	Description	Dimension	Qty	Forestay wire size	
				Ø 12 mm	Ø 14 mm
		Assembly number	→	539-158-01	539-158-01
B43	Line drum half	Ø 250x148	1	539-158	539-158
B44	Screw	8x16	2	162-033	162-033
B45	Retaining washer	Ø 16/8-2	2	164-032	164-032

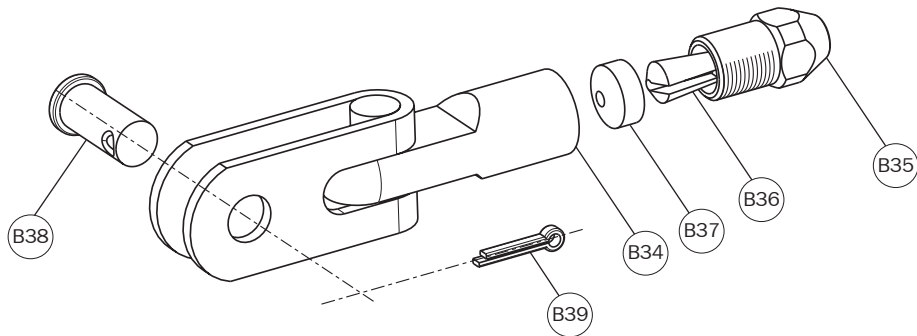


Wireterminal with toggle

Description B

Item	Description	Dimension	Qty	Forestay wire size	
				Ø 12 mm	Ø 14 mm
		Assembly number	→	301-123-01	301-124-01
B34	Wireterm. w. toggle	Ø 12	1	301-123 ¹⁾	-
B34	Wireterm. w. toggle	Ø 14	1	-	301-124 ¹⁾
B35	Socket	Sta-lok wire Ø12	1	301-198	-
B35	Socket	Sta-lok wire Ø14	1	-	301-199
B36	Wedge	L=65	1	301-156	-
B36	Wedge	L=77	1	-	301-162
B37	Former	Ø 24.8	1	301-164	-
B37	Former	Ø 31	1	-	301-165
B38	Clevis pin	Ø 19x42	1	165-581	-
B38	Clevis pin	Ø 22x49	1	-	165-594
B39	Split pin	Ø 4.6x28	1	301-054	301-054

¹⁾	Only as an assembly B34-B39		1	301-123-01	301-124-01
---------------	-----------------------------	--	---	------------	------------



Line guard bracket assembly

Description C

Item	Description	Dimension	Qty	Forestay wire size	
				Ø 12 mm	Ø 14 mm
		Assembly number	→	539-159-01	539-159-01
C1	Line guard bracket	250x130	1	539-159 ¹⁾	539-159 ¹⁾
C2	Cover	Ø 255x122	1	539-180 ²⁾	539-180 ²⁾
C3	Line guard	176x126	1	539-171 ²⁾	539-171 ²⁾
C4	Line guard saver	9/8-124	2	539-120 ²⁾	539-120 ²⁾
C5	Screw	MRT 6x16	2	155-610	155-610
C6	Locking nut	M6	2	158-005	158-005
C7	Pop rivet	Ø 6.4x12.7	2	167-031	167-031
C8	Washer	Ø 12/6-1.6	2	164-407	164-407
C9	Label	44x268	2	591-538	591-538

¹⁾	Only as an assembly C1, C5-C6	1	539-159-02	539-159-02
²⁾	Only as an assembly C2-C9	1	539-180-01	539-180-01

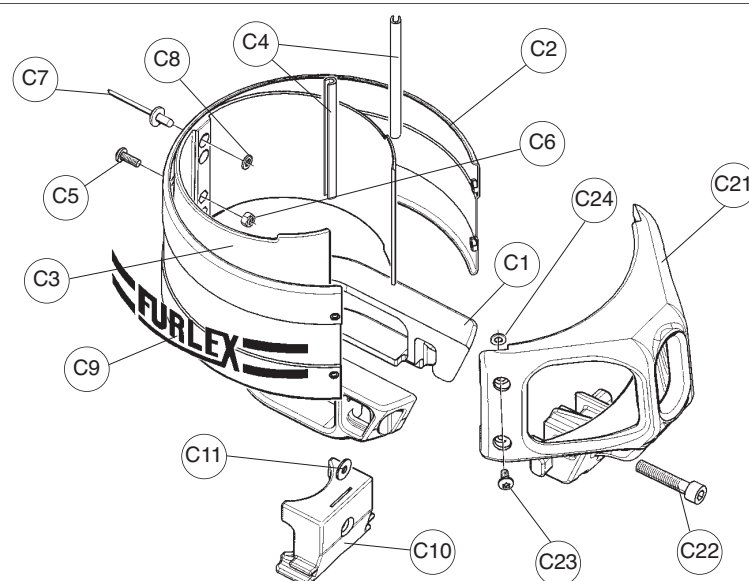
Item	Description	Dimension	Qty	Forestay wire size	
				Ø 12 mm	Ø 14 mm
		Assembly number	→	539-177-01	539-177-01
C10	Lock Block	87x63	1	539-177	539-177
C11	Washer	Ø 18/6-1.8	1	164-437	164-437

Line guide fitting assembly

Description C

Item	Description	Dimension	Qty	Forestay wire size	
				Ø 12 mm	Ø 14 mm
		Assembly number	→	539-160-01	539-160-01
C21	Line guide fitting	220x178	1	539-160 ³⁾	539-160 ³⁾
C22	Screw	MC6S 10x50	1	153-068	153-068
C23	Screw	MRT 6x12	4	155-613	155-613
C24	Retaining washer	Ø 12/6-1.5	4	164-053	164-053

³⁾	Only as an assembly C21-C24
---------------	-----------------------------



Lower luff extrusion 660 mm**Description D**

Item	Description	Dimension	Qty	Forestay wire size	
				Ø 12 mm	Ø 14 mm
D1	Luff extrusion	48/34 L=660	1	539-758 ¹⁾	539-758 ¹⁾
D2	Joint Sleeve	36/29 L=885	1	539-759 ²⁾	539-759 ²⁾
D3	Insulator	L=885	1	539-760	539-760
D4	Pin	Ø 6x30	1	166-226	166-226
D5	Sail feeder	75x36	1	539-168 ³⁾	539-168 ³⁾
D6	Sail feeder connector	75x36	1	539-169 ³⁾	539-169 ³⁾
D7	Connecting plate	146X13	1	539-262	539-262

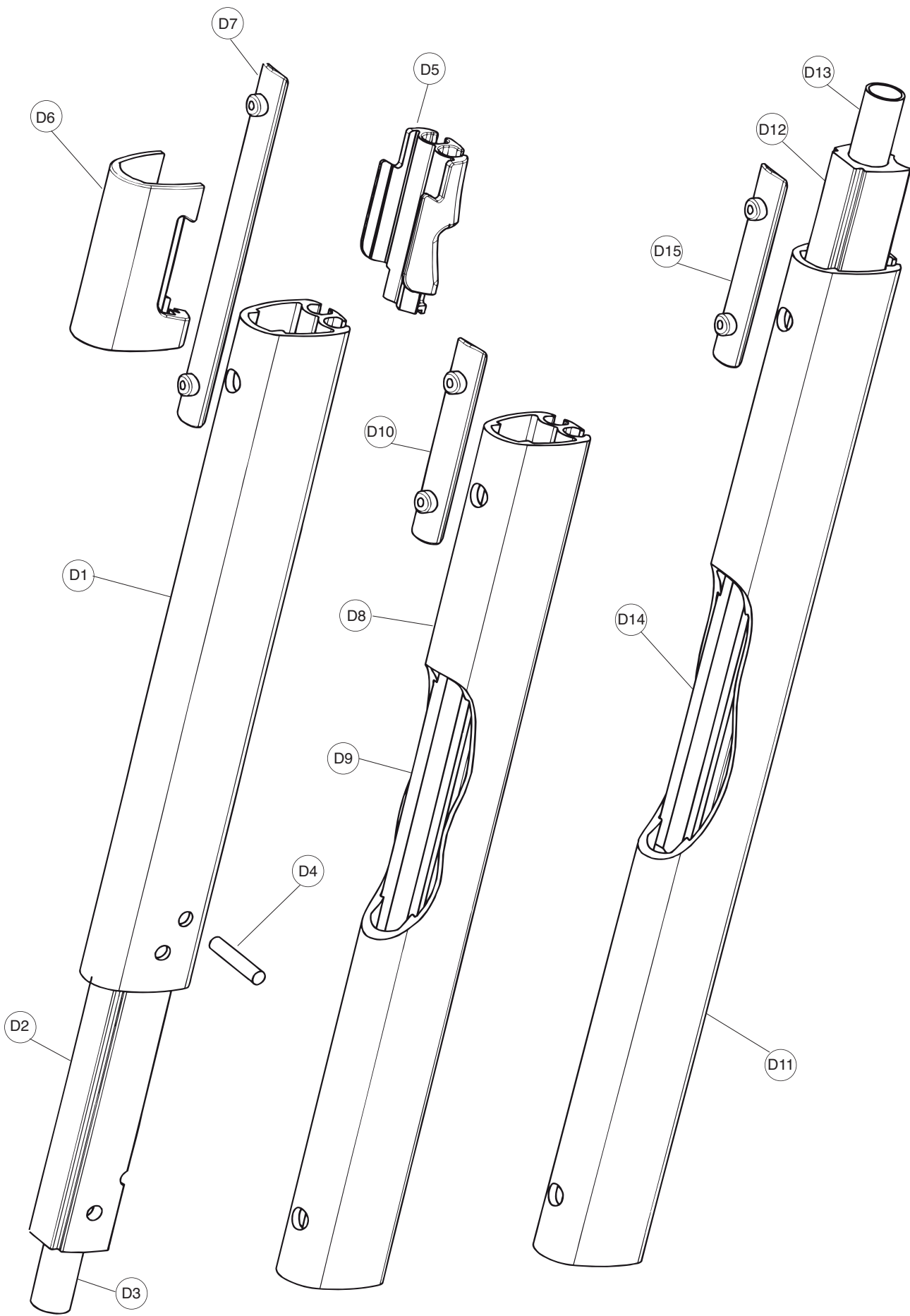
Luff extrusion 1700 mm

D8	Luff extrusion	48/34 L=1700	1	539-174 ⁴⁾	539-174 ⁴⁾
D9	Distance tube	30/28 L=1400	1	539-175	539-175
D10	Connecting plate	74x13	1	539-261	539-261

Luff extrusion 2400 mm

D11	Luff extrusion	48/34 L=2400	1	539-165 ⁵⁾	539-165 ⁵⁾
D12	Joint Sleeve	36/29 L=300	1	539-166 ⁶⁾	539-166 ⁶⁾
D13	Insulator	L=300	1	539-194	539-194
D14	Distance tube	30/28 L=2100	1	539-190	539-190
D15	Connecting plate	74x13	1	539-261	539-261

¹⁾	Only as an assembly D1-D4, D7		1	539-758-01	539-758-01
²⁾	Only as an assembly D2-D3		1	539-759-01	539-759-01
³⁾	Only as an assembly D5-D6		1	539-168-01	539-168-01
⁴⁾	Only as an assembly D8-D10		1	539-174-01	539-174-01
⁵⁾	Only as an assembly D11-D15		1	536-165-05	536-165-05
⁶⁾	Only as an assembly D12-D13		1	539-166-01	539-166-01



Additional items

Description E

Item	Description	Dimension	Qty	Forestay wire size	
				Ø 12 mm	Ø 14 mm
E1	Forestay wire pack	L=20400	1	601-009-51	601-010-51
E1	Forestay wire pack	L=22800	1	601-009-52	601-010-52
E2	Top bearing	3228 L=200	1	539-191	539-191
E3	Bush	Ø 22/13-30	1	306-916	-
E3	Bush	Ø 22/16-30	1	-	306-917
E4	Furling line	Ø 12 L=40000	1	612-023-01	612-023-01

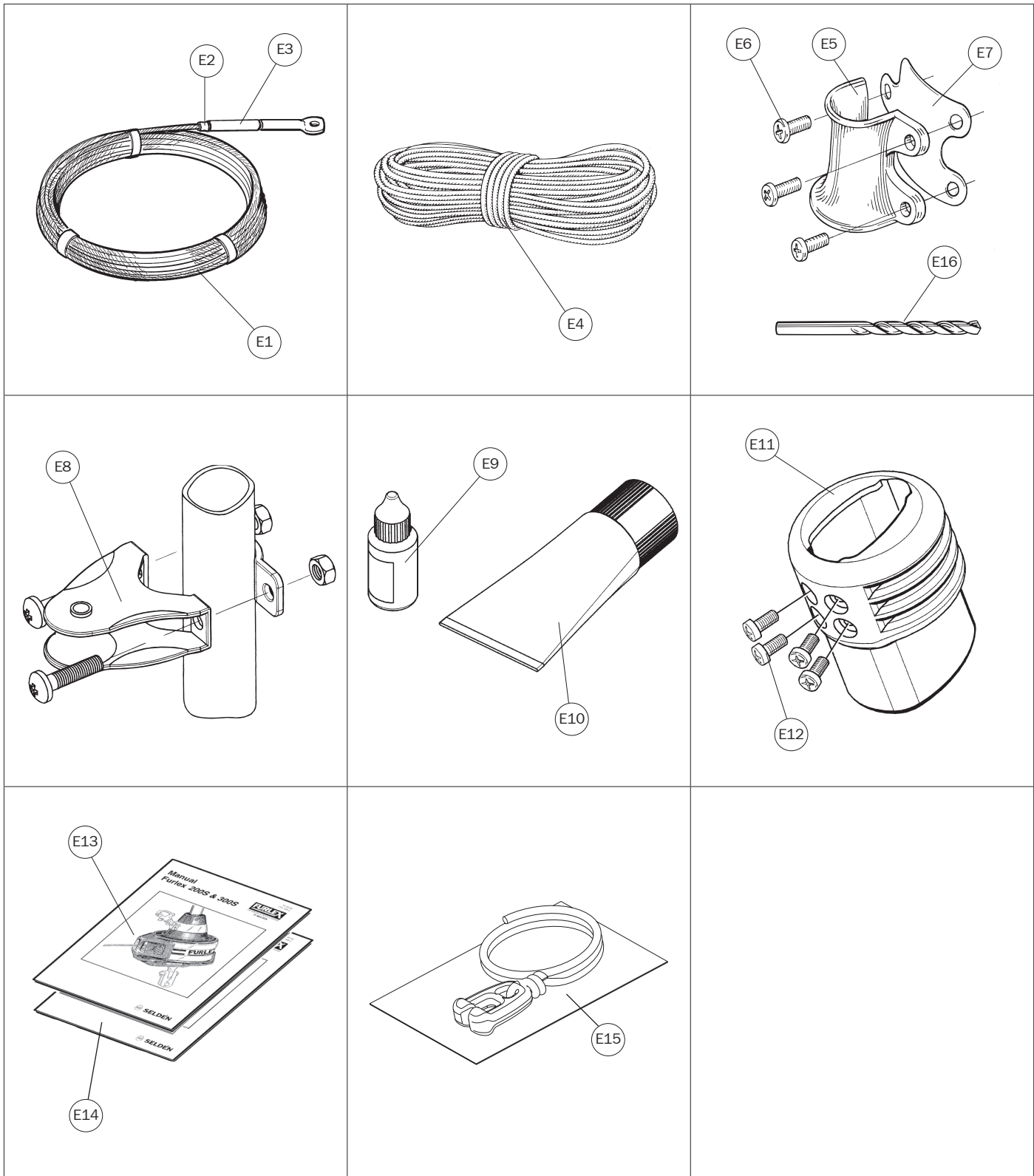
	Halyard lead set	Assembly number	→	508-128-03	508-128-03
E5	Halyard lead	Ø 20-57	1	508-128 ¹⁾	508-128 ¹⁾
E6	Selftapping screw	MRX TT 6x12	1	155-703 ¹⁾	155-703 ¹⁾
E7	Insulator	60x54	1	530-627 ¹⁾	530-627 ¹⁾

E8	Stanchion block st.st.	For Ø 25	1	538-210-01	538-210-01
E8	Stanchion block st.st.	For Ø 30	1	538-210-02	538-210-02
E9	Locking adhesive	≈ 10g	1	312-305	312-305
E10	Lubricating grease	≈ 100g	1	312-501	312-501
E11	Top Guard	Ø 52x70	1	539-186 ²⁾	539-186 ²⁾
E12	Screw	RXS Z4,8x9.5	1	171-019 ²⁾	171-019 ²⁾
E13	Manual (Swedish)	A4	1	595-240-S	595-240-S
E13	Manual (English)	A4	1	595-240-E	595-240-E
E13	Manual (German)	A4	1	595-240-T	595-240-T
E14	Spare parts list	A4	1	595-241-E	595-241-E

E15	Prefeeder pack	38x29	1	505-538-01	505-538-01
-----	----------------	-------	---	------------	------------

E16	Drillbit	Ø 5.3	1	592-006 ¹⁾	592-006 ¹⁾
-----	----------	-------	---	-----------------------	-----------------------

¹⁾	Only as a package E5-E7, E17		1	508-128-03	508-128-03
²⁾	Only as a package E11-E12		1	539-186-01	539-186-01



DINGHIES KEELBOATS YACHTS

Seldén Mast AB, Sweden
Tel +46 (0)31 69 69 00
Fax +46 (0)31 29 71 37
e-mail info@seldenmast.com

Seldén Mast Limited, UK
Tel +44 (0) 1329 504000
Fax +44 (0) 1329 504049
e-mail info@seldenmast.co.uk

Seldén Mast Inc., USA
Tel +1 843-760-6278
Fax +1 843-760-1220
e-mail info@seldenus.com

Seldén Mast A/S, DK
Tel +45 39 18 44 00
Fax +45 39 27 17 00
e-mail info@seldenmast.dk

Seldén Mid Europe B.V., NL
Tel +31 (0) 111-698 120
Fax +31 (0) 111-698 130
e-mail info@seldenmast.nl

Seldén Mast SAS, FR
Tel +33 (0) 251 362 110
Fax +33 (0) 251 362 185
e-mail info@seldenmast.fr

**Seldén Mast Asia Ltd,
Hong Kong**
Tel +852 3572 0613
Fax +852 3572 0623
e-mail info@seldenmast.com.hk

www.seldenmast.com

Dealer:

The Seldén Group is the world's leading manufacturer of mast and rigging systems in carbon and aluminium for dinghies, keelboats and yachts.

Our well known brands are Seldén and Furlex. The worldwide success of Furlex has enabled us to build a network of over 750 authorised dealers covering the world's marine markets. So wherever you sail, you can be sure of fast access to our service, spare parts and know-how.

SELDÉN and FURLEX are registered trademarks of Seldén Mast AB

 **SELDÉN**