

FURLING MAST ELECTRIC

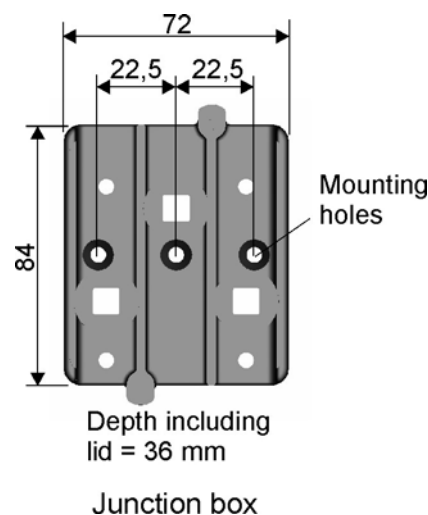
Inquiry form - length for power cables (OPTIONAL)



In order to get the right length of cables, and cable area, please fill in the form on the next page. First decide a suitable place for the junction box and the control box.

At delivery the motor is supplied with 4 x 5 m cables. Three separate power cables (16 mm²) and a signal cable (7x0.75mm²) The cables emerge from the mast base approximately 3.5 m on a deckstepped mast and 1.5 m on a keelstepped mast.

The junction box should be fitted below deck. Make sure that the riggers can easily find the box when the mast is unstepped at a later date. For main dimensions of the junction box please refer to the sketch beside.

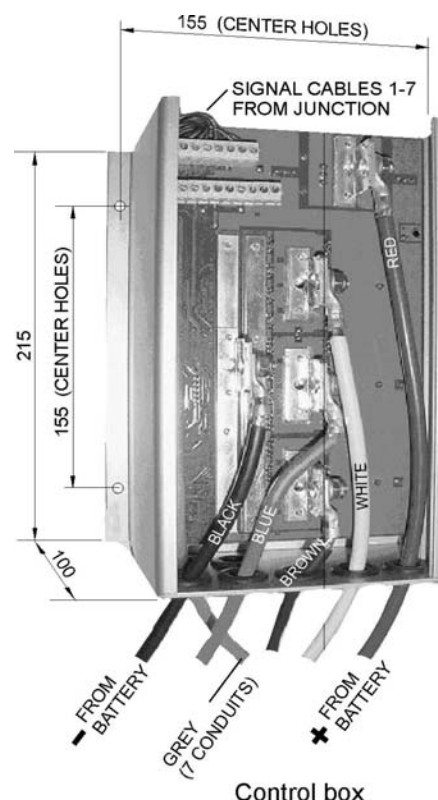


The seven signal cables from the motor should have a junction in the same area as the box. For these junctions bullet crimp terminals are used. (Included)



Bullet crimp terminal

Find a dry place where the control box can be installed vertically. Make sure that you have access to the control box from top- and bottom-side. All cables enter the control box from below as in the picture beside. For main dimensions of the control box, refer to the picture beside.



Please mail, e-mail or fax this paper form to your Seldén dealer.

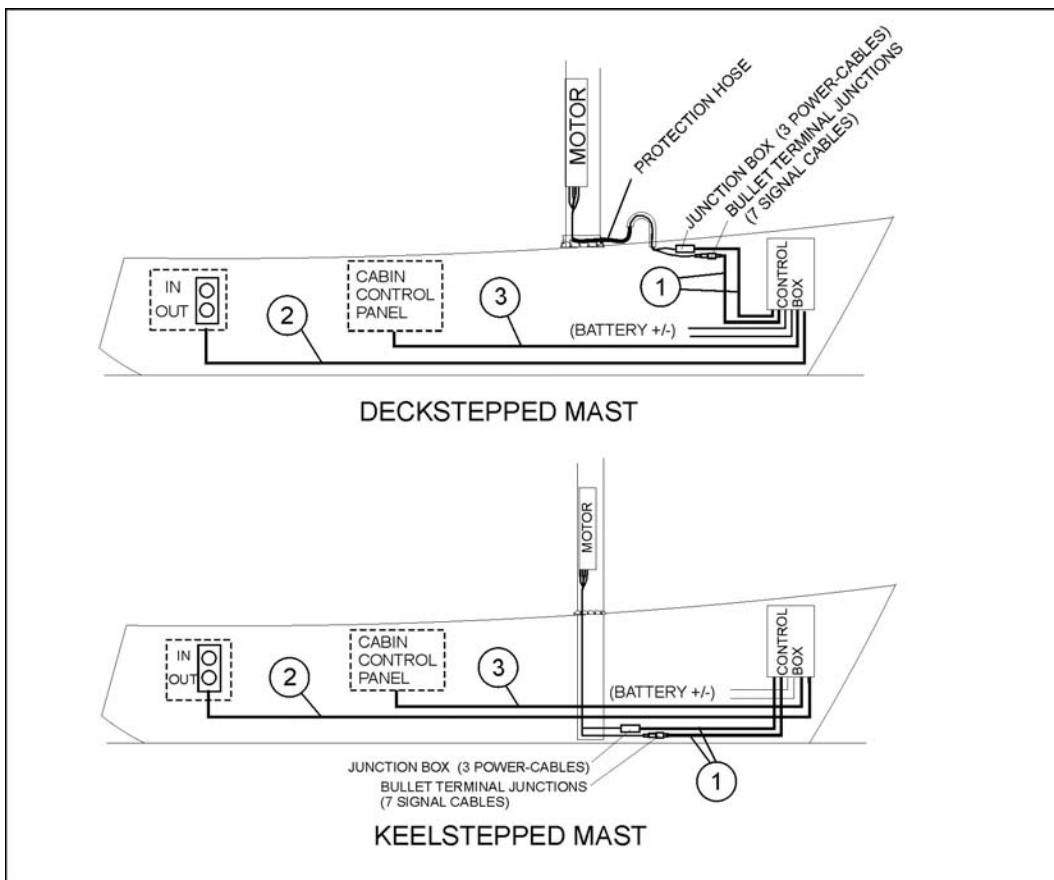
Decide how to run the power cable between the junction box and the control box. Measure the length (“installed cable length”) and Seldén will calculate the proper cable area. Depending on the accuracy when you took the measure, add some length to be sure that it will be enough.

NOTE 1) Cables between motor and junction box are fitted to the motor at delivery (5m).

2) Signal cable between junction box and controlbox (8 m length) included in controlpac 532-505-01 and 532-505-02.

3) Battery cables are NOT supplied by Seldén.

	Installed cable length	Ordered cable length
1: Power cables, length including 6 eye terminals (3x 16/25 mm ² and 7x 0.75mm ²)mm
2: Pushbutton cable, length (7x0,75mm ² , 5 cores used)	-----m
3: Control panel cable, length (2x1.5mm ²)	-----m
Electric system aboard, voltage	Volt
Boat		
Date		
Sign		



 **SELDÉN**
www.seldenmast.com