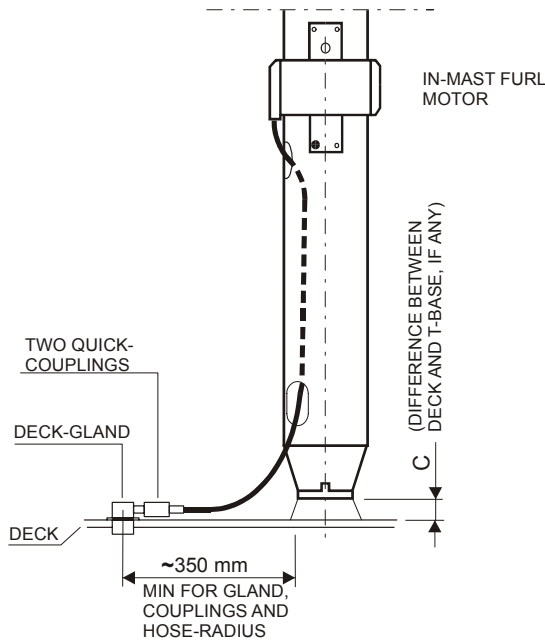
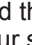



Gland position for hydraulic mast-motor hoses, deckstepped mast

The position of the gland is optional. Please fill in these data and send the paper form to Seldén. We will then manufacture the two hydraulic hoses, tailor-made for your boat.
 Note that the hoses from the hydraulic boom outhaul normally emerge through the same hole, and should be connected to a separate deckgland.
 (For boom outhaul gland position see paper form 595-169-E)



BOAT
HOSE EXIT SIDE
DATE
SIGN

NOTE: It's important that you mark the position of the gland and the direction of the hoses (use gland symbol ) in your sketch. If gland position is not align or 90° to boat, please show this in the sketch and note down the value of the angle.

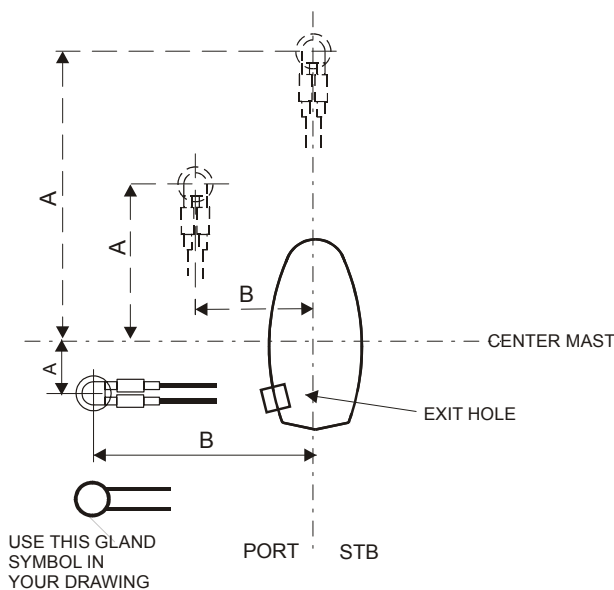
Make a note in your sketch on which side you want the exit hole (use hole symbol ) .

Also make sure that the gland position allows space for couplings and hose bends.

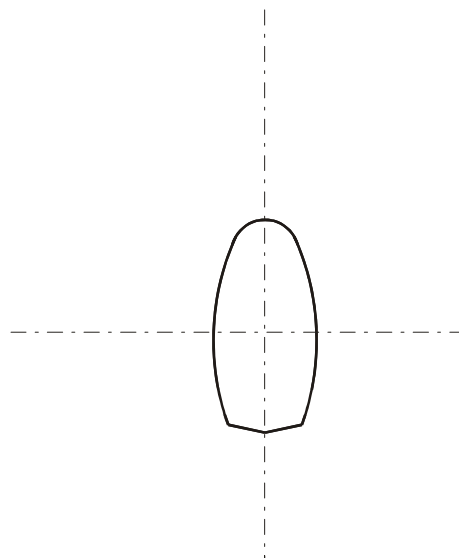
If T-base is above deck/gland please note the value for "C" down.

If you have hydraulic outhaul, consider its deck-gland position as well.

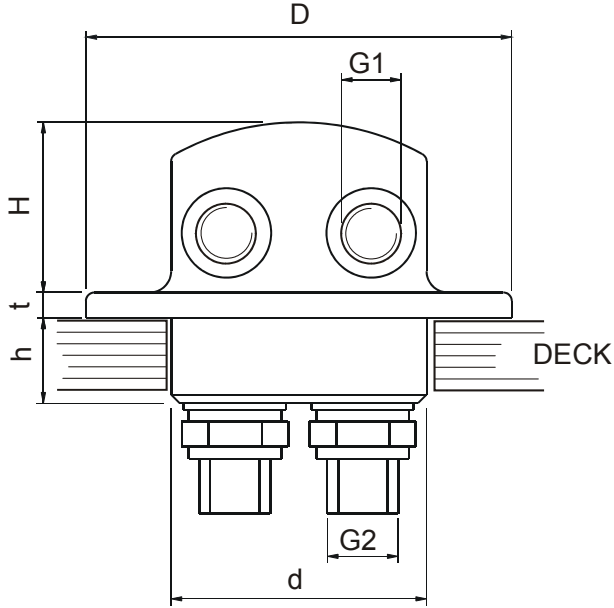
OUR EXAMPLE



YOUR SKETCH



Below are the dimensions for the different deckglands. The deckgland for the mast-motor has an emergency switch for manual furling of the mainsail.



	Mast-motor	Boom 200	Boom 250	Boom 300
d (mm)	60	60	72	72
D	100	100	110	110
H	35	35	45	45
h	20	20	20	20
t	6	6	8	8
G1 (")	1/4	1/4	3/8	3/8
G2	3/8	3/8	1/2	1/2