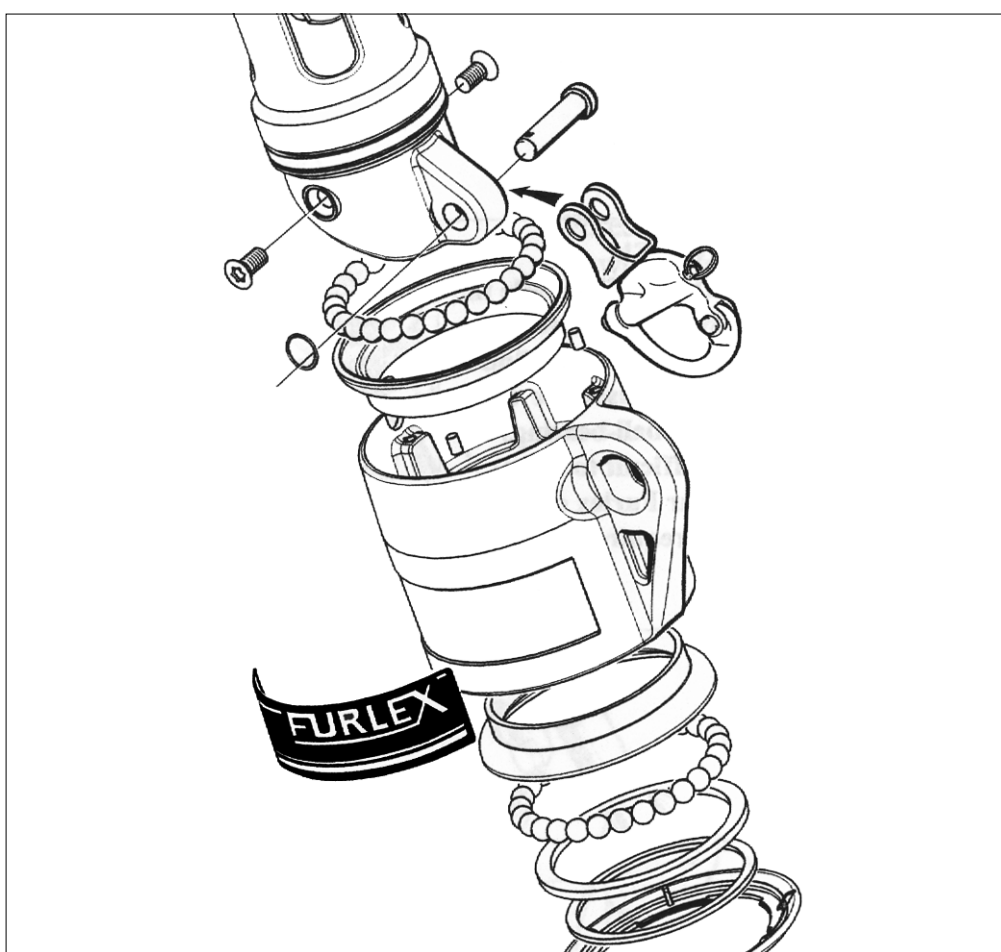


FURLEX

SELDÉN

Spare Parts List

Furlex 400 S & 500 S



SELDÉN

Bäste Furlex-ägare

Furlex säljs genom ett nät av auktoriserade återförsäljare som täcker alla marina marknader runt om i världen.

Auktorisationen omfattar praktisk och teoretisk utbildning i hur Furlex-systemet är uppbyggt.

Denna kunskap innebär professionell service till Dig som Furlex-ägare.

Vi önskar dig mycket skön segling och hoppas att denna reservdelslista kan vara till nytta om du någon gång behöver kontakta en återförsäljare för professionella råd eller assistans.

Dear Furlex-owner

Furlex is supplied via an extensive network of authorized dealers who cover the major sailing areas of the world.

The authorization ensures that each dealer is fully versed in the design, assembly and operation of Furlex - and is a guarantee of professional service. We wish you much enjoyable and carefree sailing and hope that this spare parts list will be of help if you ever require professional advice or assistance.

Lieber Furlex-Eigner

Furlex wird über ein Netz autorisierter Fachhändler weltweit in allen Segelregionen verkauft.

Die Autorisierung dieser Fachhändler erfolgt durch eine theoretische und praktische Schulung im Aufbau des Furlex-Systems.

Dieses Können gewährleistet Ihnen als Furlex-Besitzer professionellen Service.

Wir wünschen Ihnen ein angenehmes Segeln und hoffen, daß Ihnen dieses Ersatzteilverzeichnis hilft bei eventuellem Bedarf eines Rates oder professioneller Hilfe.



OBS!

Plocka ej isär fallsvirveln eller nedre lagringsdelen. Det kan vara svårt att återmontera dessa delar på ett korrekt sätt. Bland annat ligger lagerbanornas kulor löst monterade. Vid behov av service, kontakta din Furlexåterförsäljare.



NOTE!

Do not dismantle the halyard swivel or lower bearing assembly. You will find it difficult to re-assemble them correctly (the ball-bearings are loose and difficult to refit!). Contact your Furlex dealer if service is required.



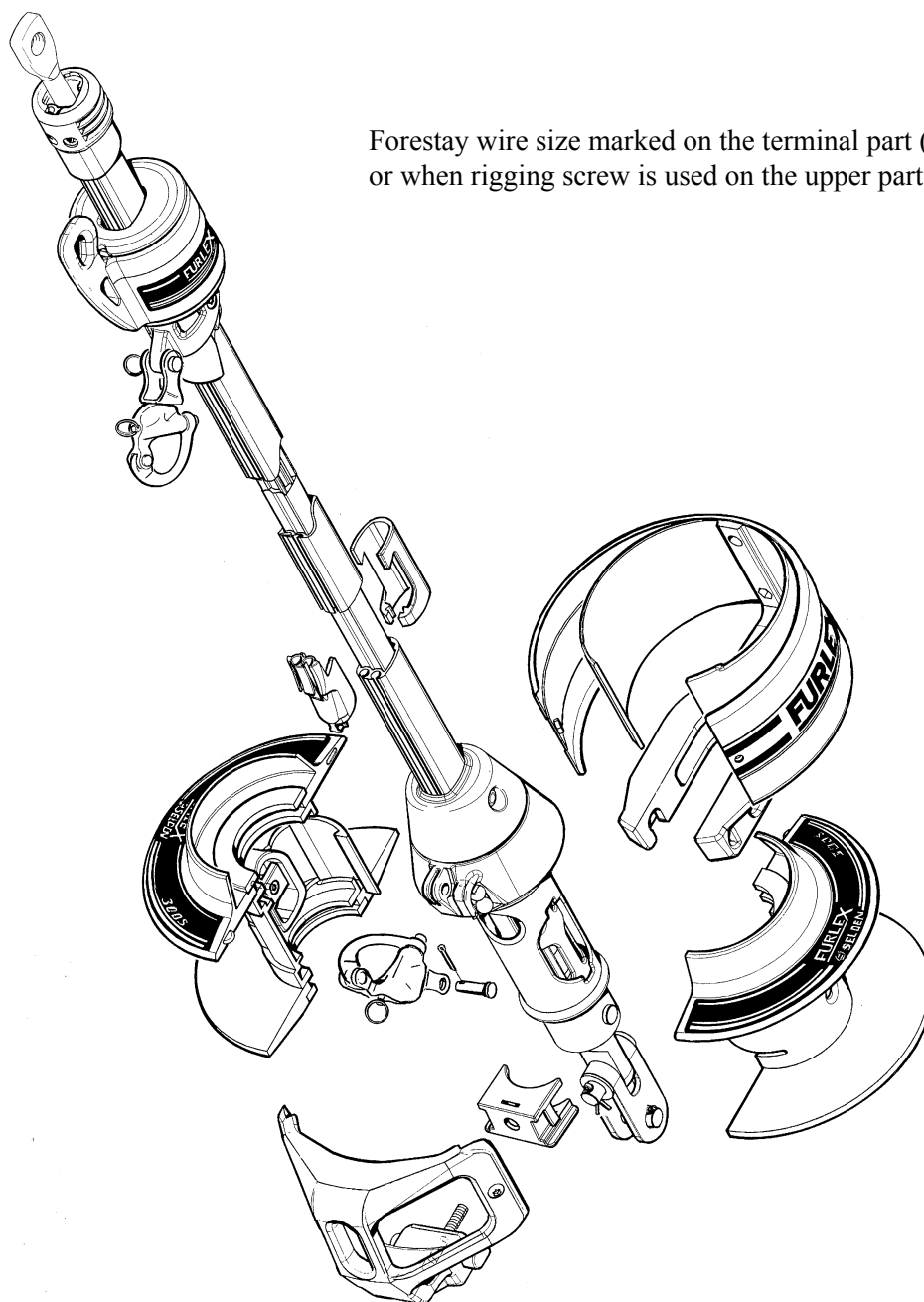
ACHTUNG!

Nehmen Sie den Fallschlitten oder die untere Lagerung nicht auseinander. Es ist schwer diese wieder korrekt zu montieren. Unter anderem liegen die Kugeln lose montiert. Wenden Sie sich bei Bedarf an Ihren Furlex- Händler.

Seldén Mast AB reserves the right to alter the design or specification without prior warning; to allow unrestricted future product development.

Contents

	Page
Halyard swivel 400 S	4
Halyard swivel 500 S	6
Lower swivel	8
Rigging screw	10
Line drum half	12
Line guard bracket assembly	13
Line guide fitting assembly	13
Luff extrusions	14
Additional items	16
Notes	18

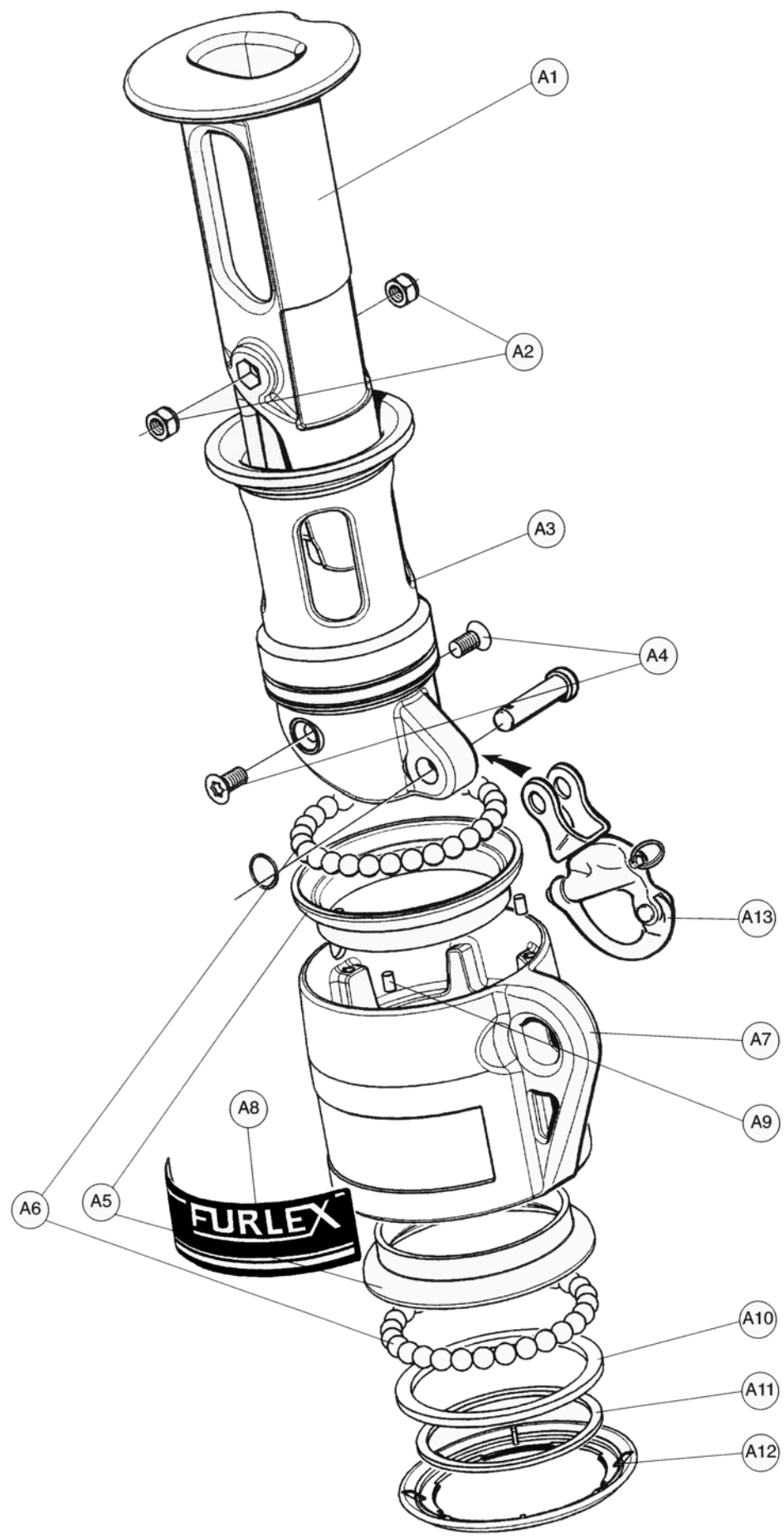


Halyard swivel

Description A

		Serie 400 S			
				Forestay wire size	
Item	Description	Dimension	Qty	Ø 12mm	Ø 14mm
		Assembly number	→	539-181-01 ²⁾	539-181-01 ²⁾
A1	Sliding Sleeve	Ø 110x148	1	539-182	539-182
A2	Locking nut	M8	2	158-006	158-006
A3	Hub	Ø 92x170	1	539-181	539-181
A4	Screw	MFT 8x16	2	162-033	162-033
A5	Ball bearing ring	Ø 107/84-21	2	539-170	539-170
A6	Balls	Ø 10	2x28	539-050	539-050
A7	Eye ring	Ø 116x106	1	539-183 ¹⁾	539-183 ¹⁾
A8	Label	309x35	1	591-537	591-537
A9	Buffer	Ø 5x8	3	319-656	319-656
A10	Washer	Ø 97/79-4	1	164-447	164-447
A11	Clip ring	MST 315	1	301-503	301-503
A12	Cover	Ø 110x7.5	1	539-178	539-178
A13	Snap shackle	120 mm	1	307-340	307-340

¹⁾	Only as an assembly A7-A8	1	539-183-01	539-183-01
²⁾	Replaced by Furlex 404S hayard swivel	1	549-416-03	549-416-03

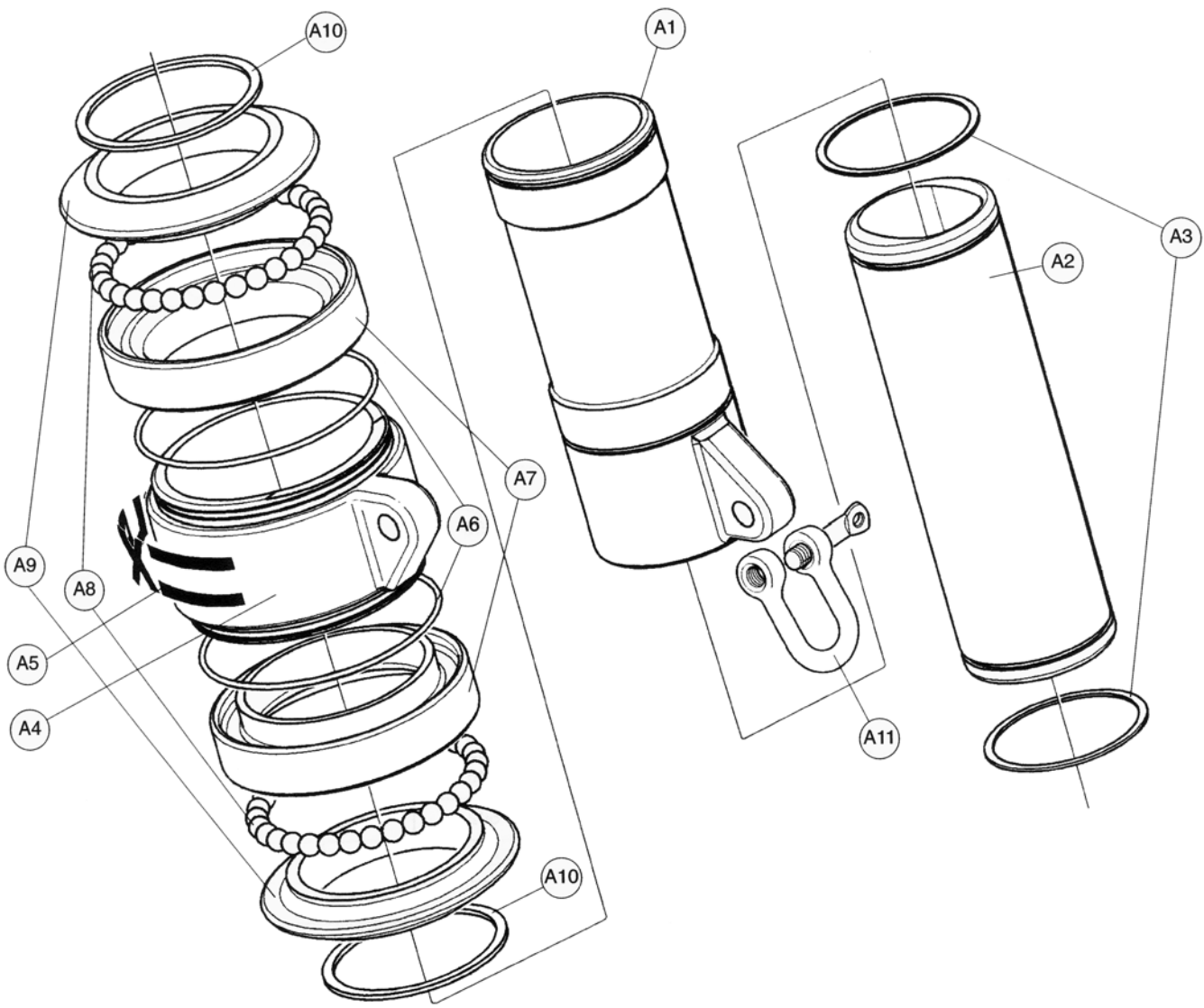


Halyard swivel

Description A

		Serie 500 S		
				Forestay wire size
Item	Description	Dimension	Qty	Ø 16mm
		Assembly number	→	539-401-01
A1	Hub	Ø 80x200	1	539-401
A2	Sliding Sleeve	Ø 70x214	1	539-402
A3	Clip ring	MST 275	2	301-502
A4	Eye ring	Ø 120x70	1	539-405 ¹⁾
A5	Label	27x199	1	591-368
A6	O-ring	Ø 101.3x2.6	2	530-396
A7	Intermediate ring	Ø 120x30	2	539-404
A8	Balls	Ø 10	2x31	539-050
A9	Ball bearing ring	Ø 120x20	2	539-403
A10	Clip ring	MST 315	2	301-503
A11	U-shackle	M12x25x39	1	307-044

¹⁾	Only as an assembly A4-A5	539-405-01
---------------	---------------------------	------------



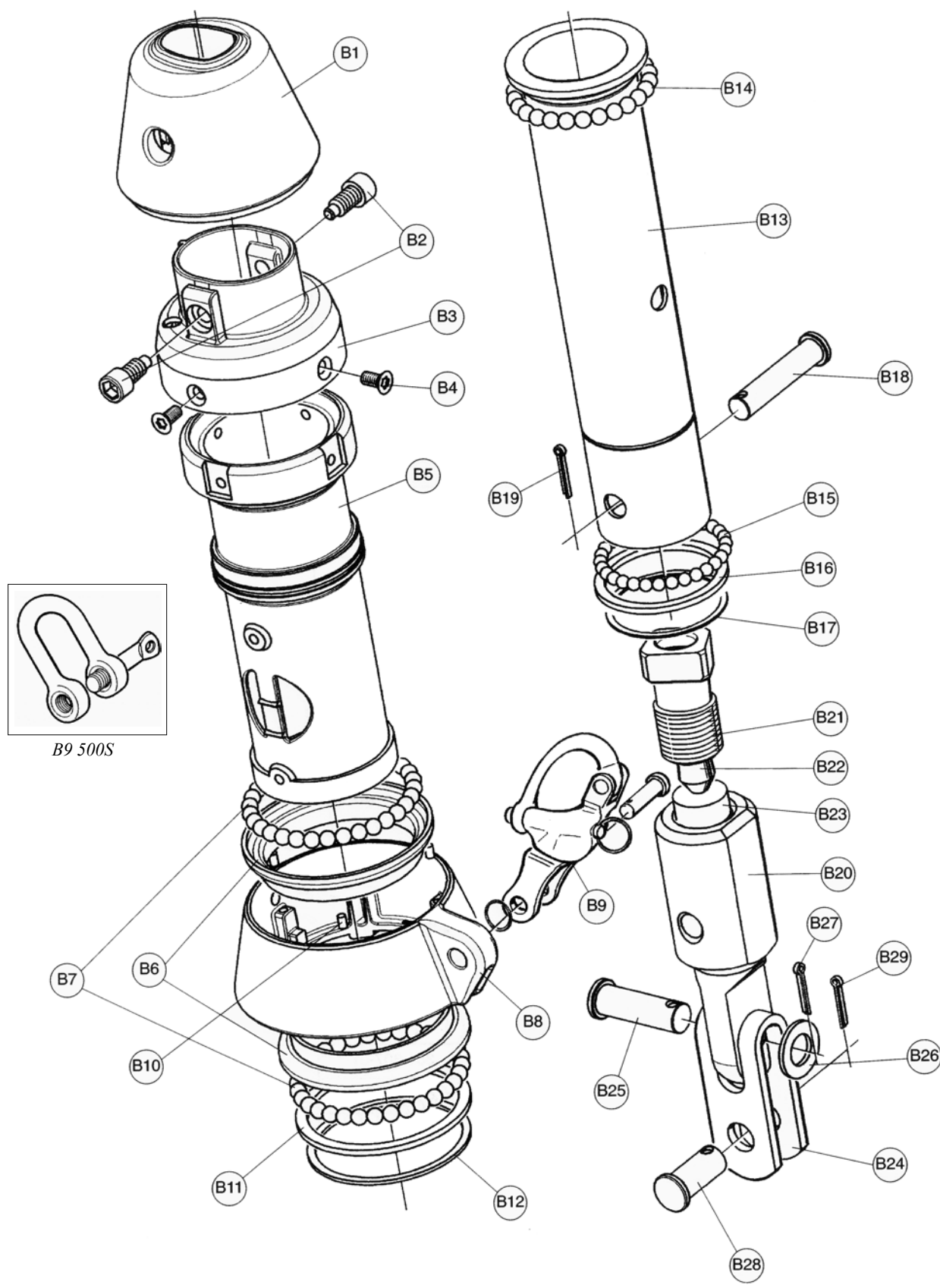
Lower swivel

Description B

		Serie 400 S				Serie 500 S			
				Forestay wire size				Forestay wire size	
Item	Description	Dimension	Qty	Ø 12mm	Ø 14mm	Dimension	Qty	Ø 16mm	
		Assembly number →		539-151-02	539-151-02	Assembly number →		539-151-07	
B1	Adapter	Ø 128x84	1	539-154	539-154	Ø 128x84	1	539-156	
B2	Screw (machined)	MRT 12x26	2	153-071	153-071	MRT 12x25	2	153-063	
B3	Carrier	Ø 113x80	1	539-153 ¹⁾	539-153 ¹⁾	Ø 113x80	1	539-153 ¹⁾	
B4	Screw	MFT 8x16	4	162-033	162-033	MFT 8x16	4	162-033	
B5	Hub	Ø 104/90-244	1	539-152 ¹⁾	539-152 ¹⁾	Ø 104/90-244	1	539-152 ¹⁾	
B6	Ball bearing ring	Ø 119/95-21	2	539-172	539-172	Ø 119/95-21	2	539-172	
B7	Ball	Ø 10	2x32	539-050	539-050	Ø 10	2x32	539-050	
B8	Tack ring	Ø 160x57	1	539-155	539-155	Ø 160x57	1	539-155	
B9	Snap shackle	120 mm	1	307-340	307-340	-	-	-	
B9	D-shackle	-	-	-	-	M12x25x39	1	307-044	
B10	Buffer	Ø 5x8	3	319-656	319-656	Ø 5x8	3	319-656	
B11	Washer	Ø 109/95-4	1	164-448	164-448	Ø 109/95-4	1	164-448	
B12	Clip ring	MST 368	1	301-518	301-518	MST 368	1	301-518	
B13	Shaft	Ø 88/70-331	1	539-151	539-151	Ø 88/70-331	1	539-151	
B14	Ball	Ø 10	26	539-050	539-050	Ø 10	26	539-050	
B15	Ball	Ø 8	30	539-128	539-128	Ø 8	30	539-128	
B16	Washer	Ø 83/70-4	1	164-446	164-446	Ø 83/70-4	1	164-446	
B17	Clip ring	MST 275	1	301-502	301-502	MST 275	1	301-502	
B18	Clevis pin	Ø 16x76	1	165-551	165-551	Ø 16x76	1	165-551	
B19	Split pin	3.7x25	1	301-051	301-051	3.7x25	1	301-051	

¹⁾	Only as an assembly B3-B5	1	539-152-01	539-152-01	-	1	539-152-01
---------------	---------------------------	---	------------	------------	---	---	------------

To be continued on page 10

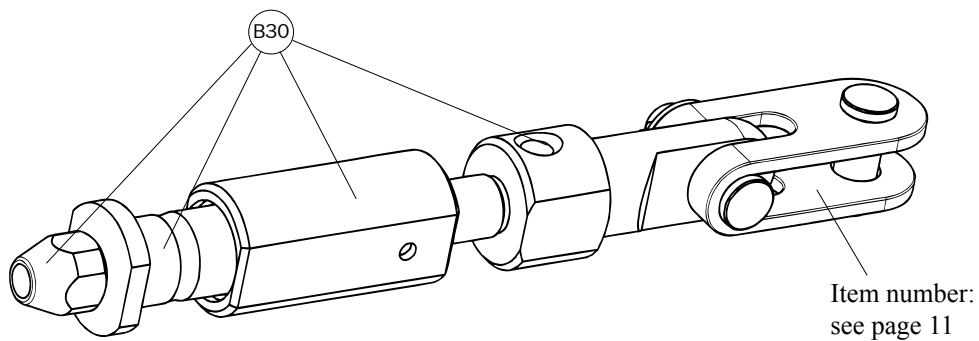


Lower swivel (Continued from page 8)**Description B**

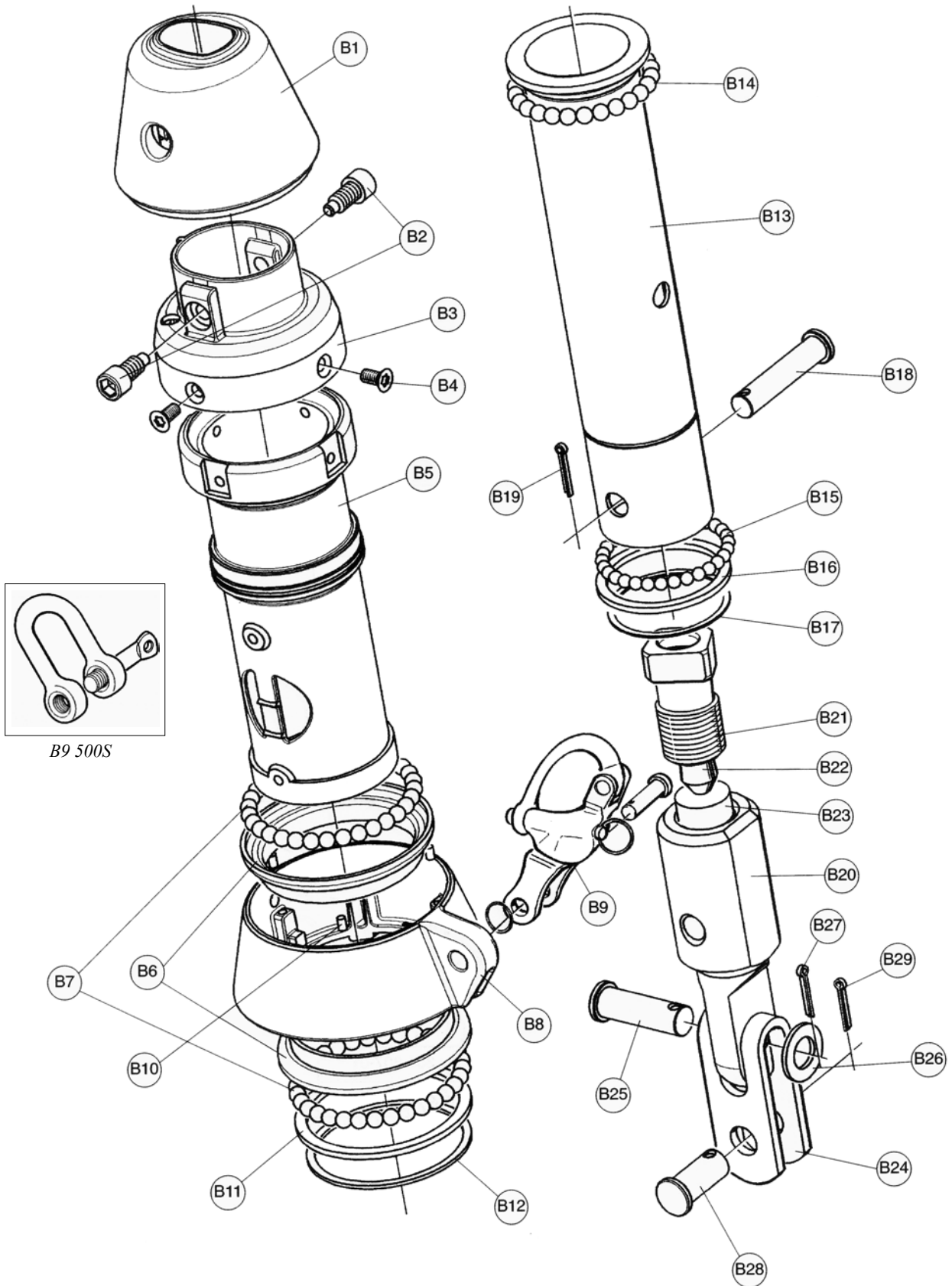
		Serie 400 S				Serie 500 S			
				Forestay wire size				Forestay wire size	
Item	Description	Dimension	Qty	Ø 12mm	Ø 14mm	Dimension	Qty	Ø 16mm	
		Assembly number →		301-606-11	301-607-11	Assembly number →		301-608-11	
B20	Terminal part	Ø 63x193	1	301-606 ¹⁾	-	Ø 63x190	1	301-608 ¹⁾	
B20	Terminal part	Ø 63x190	1	-	301-607 ¹⁾	-	-	-	
B21	Socket	Ø 36x58	1	301-610	-	Ø 44x76	1	301-612	
B21	Socket	Ø 38x65	1	-	301-611	-	-	-	
B22	Wedge	L=65	1	301-156	-	L=86	1	301-613	
B22	Wedge	L=77	1	-	301-162	-	-	-	
B23	Former	Ø 24.8	1	301-164	-	Ø 34	1	301-614	
B23	Former	Ø 31	1	-	301-165	-	-	-	
B24	Toggle fork/fork	H(c/c)=65	1	517-052 ²⁾³⁾	-	H(c/c)=85	1	517-074 ²⁾³⁾	
B24	Toggle fork/fork	H(c/c)=80	1	-	517-053 ²⁾³⁾	-	-	-	
B25	Clevis pin	Ø 19x60	1	165-582	-	Ø 25x80	1	165-586	
B25	Clevis pin	Ø 22x60	1	-	165-595	-	-	-	
B26	Washer	Ø 36/20-3	1	164-421	-	Ø 45/26-4	2	164-449	
B26	Washer	Ø 39/23-3	1	-	164-422	-	-	-	
B27	Split pin	Ø 4.6x28	1	301-054	301-054	Ø 5.9x37	1	301-057	
B28	Clevis pin	Ø 19x42	1	165-581	-	Ø 22x60	1	165-595	
B28	Clevis pin	Ø 22x49	1	-	165-594	-	-	-	
B29	Split pin	Ø 4.6x28	1	301-054	301-054	Ø 4.6x28	1	301-054	

Rigging screw

B30	Rigging screw	-	-	174-523-02 ⁴⁾	174-524-02 ⁴⁾	-	-	174-525-02 ⁴⁾
-----	---------------	---	---	--------------------------	--------------------------	---	---	--------------------------



¹⁾	Only as an assembly B20-B23	1	301-606-01	301-607-01	-	1	301-608-01
²⁾	Also as an assembly B24, B28-B29	1	517-052-01	517-053-01	-	1	517-074-01
³⁾	Also as an assembly B24-B29	1	517-052-02	517-053-02	-	1	517-074-02
⁴⁾	Also as an assembly B30, B24-B29	1	174-523-11	174-524-11	-	1	174-525-11

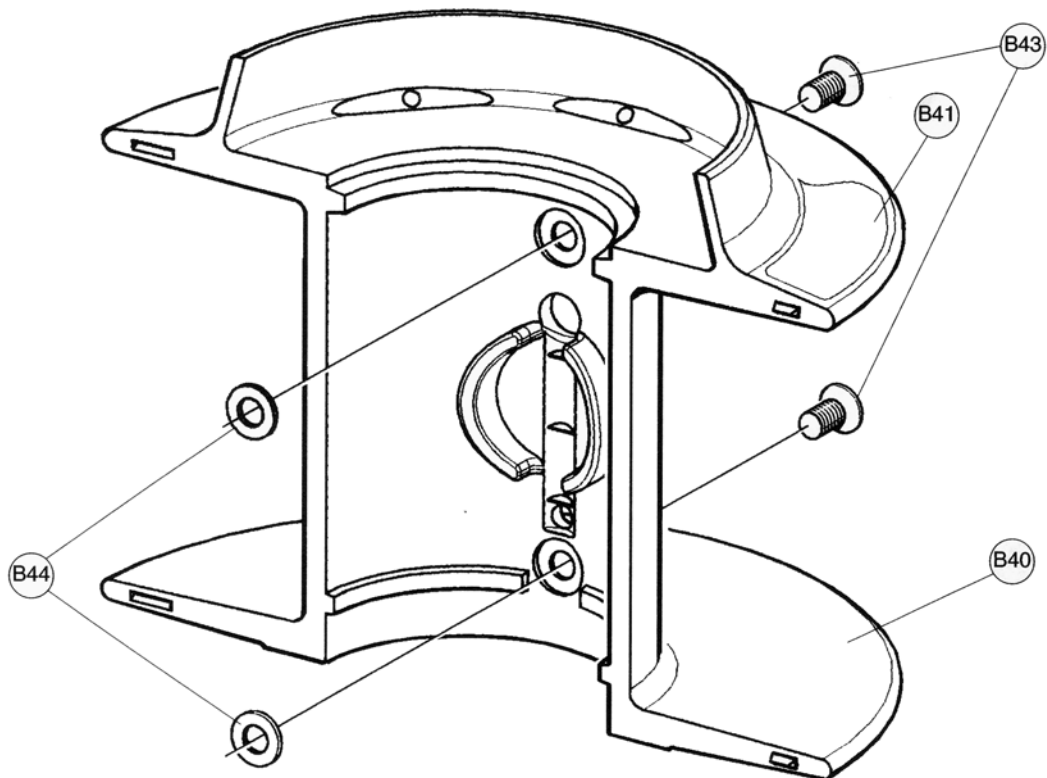


Line drum half

Description B

		Serie 400 S				Serie 500 S			
				Forestay wire size				Forestay wire size	
Item	Description	Dimension	Qty	Ø 12mm	Ø 14mm	Dimension	Qty	Ø 16mm	
		Assembly number →		539-157-01	539-157-01	Assembly number →		539-157-06	
B40	Line drum half	250x177	1	539-157 ¹⁾	539-157 ¹⁾	250x177	1	539-157 ¹⁾	
B40	Label	240x120	1	591-536	591-536	240x120	1	591-551	
B43	Screw	MFT 8x16	2	162-033	162-033	MFT 8x16	2	162-033	
B44	Retaining washer	Ø 16/8-2	2	164-032	164-032	Ø 16/8-2	2	164-032	

¹⁾ Only as an assembly B40-B44



Line guard bracket assembly

Description C

		Serie 400 S				Serie 500 S			
				Forestay wire size				Forestay wire size	
Item	Description	Dimension	Qty	Ø 12mm	Ø 14mm	Dimension	Qty	Ø 16mm	
		Assembly number →		539-159-01	539-159-01	Assembly number →		539-159-01	
C1	Line guard bracket	250x130	1	539-159 ¹⁾	539-159 ¹⁾	250x130	1	539-159 ¹⁾	
C2	Cover	Ø 255x122	1	539-180 ²⁾	539-180 ²⁾	Ø 255x122	1	539-180 ²⁾	
C3	Line guard	176x126	1	539-171 ²⁾	539-171 ²⁾	176x126	1	539-171 ²⁾	
C4	Line guard saver	9/8-124	2	539-120 ²⁾	539-120 ²⁾	9/8-124	2	539-120 ²⁾	
C5	Screw	MRT 6x16	2	155-610	155-610	MRT 6x16	2	155-610	
C6	Locking nut	M6	2	158-005	158-005	M6	2	158-005	
C7	Pop rivet	Ø 6.4x12,7	2	167-031	167-031	Ø 6.4x12,7	2	167-031	
C8	Washer	Ø 12/6-1.6	2	164-407	164-407	Ø 12/6-1.6	2	164-407	
C9	Label	44x268	2	591-538	591-538	44x268	2	591-538	

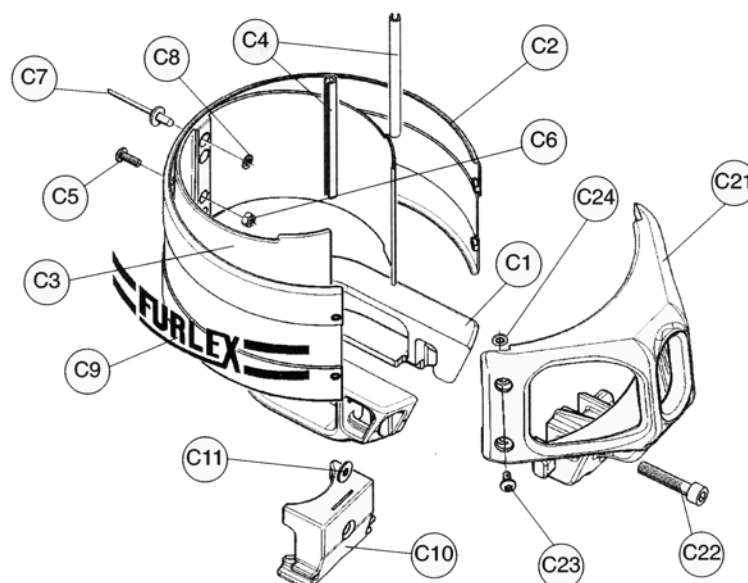
¹⁾	Only as an assembly C1, C5-C6	1	539-159-02	539-159-02	-	1	539-159-02
²⁾	Only as an assembly C2-C9	1	539-180-01	539-180-01	-	1	539-180-01

		Assembly number →		539-177-01	539-177-01	Assembly number →		539-177-01
C10	Lock Block	87x63	1	539-177	539-177	-	1	539-177
C11	Washer	Ø 18/6-1.8	1	164-437	164-437	-	1	164-437

Line guide fitting assembly

		Assembly number →		539-160-01	539-160-01	Assembly number →		539-160-01
C21	Line guide fitting	220x178	1	539-160 ³⁾	539-160 ³⁾	220x178	1	539-160 ³⁾
C22	Screw	MC6S 10x50	1	153-068	153-068	MC6S 10x50	1	153-068
C23	Screw	MRT 6x12	4	155-613	155-613	MRT 6x12	4	155-613
C24	Retaining washer	Ø 12/6-1.5	4	164-053	164-053	Ø 12/6-1.5	4	164-053

³⁾	Only as an assembly C21-C24
---------------	-----------------------------



Lower luff extrusion 1000 mm**Description D**

		Serie 400 S				Serie 500 S		
				Forestay wire size				Forestay wire size
Item	Description	Dimension	Qty	Ø 12mm	Ø 14mm	Dimension	Qty	Ø 16mm
D1	Luff extrusion	48/34 L=1000	1	539-163 ¹⁾	539-163 ¹⁾	60/46 L=1000	1	539-424 ¹⁾
D2	Joint Sleeve	36/29 L=1195	1	539-167 ⁵⁾	539-167 ⁵⁾	42/39 L=1120	1	539-428
D3	Insulator	L=1225	1	539-195	539-195	-	-	-
D4	Bearing plug	30x30	1	539-192	539-192	50x40	1	539-193
D5	Bush	Ø 10/8-9	2	306-563	306-563	Ø 12/10-12	2	306-562
D6	Sail feeder	75x36	1	539-168 ²⁾	539-168 ²⁾	-	-	-
D7	Sail feeder connector	75x36	1	539-169 ²⁾	539-169 ²⁾	-	-	-
D8	Connecting plate	146X13	1	539-262	539-262	100x14	1	539-410

Luff extrusion 1700 mm Serie 400 S

D9	Luff extrusion	48/34 L=1700	1	539-174 ³⁾	539-174 ³⁾	-	-	-
D10	Distance tube	30/28 L=1400	1	539-175	539-175	-	-	-
D11	Connecting plate	74x13	1	539-261	539-261	-	-	-

Luff extrusion 2000 mm Serie 500 S

D9	Luff extrusion	-	-	-	-	60/46 L=2000	1	539-426 ³⁾
D10	Distance tube	-	-	-	-	35/19 L=1700	1	535-677
D11	Connecting plate	-	-	-	-	100x14	1	539-410

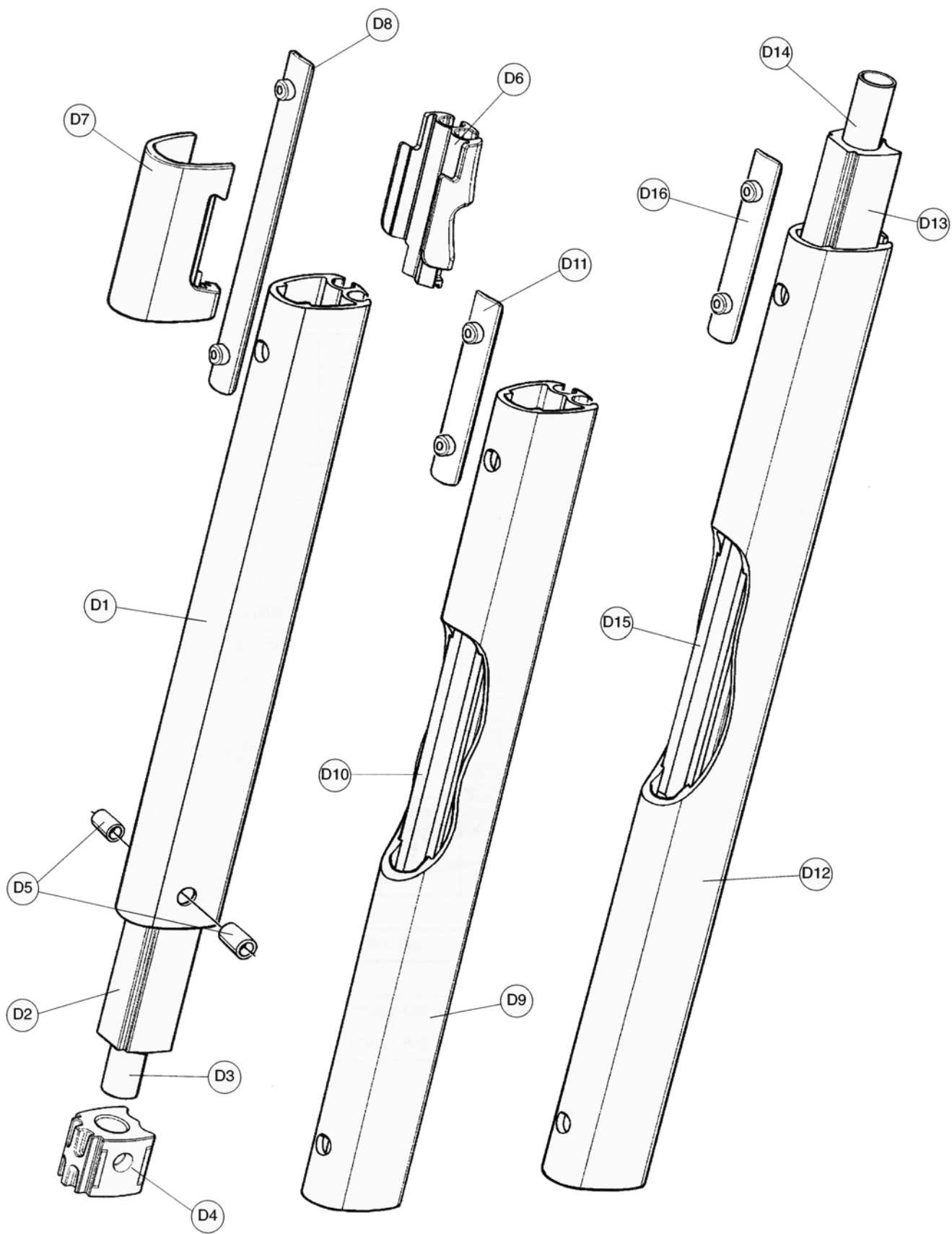
Luff extrusion 2400 mm Serie 400 S

D12	Luff extrusion	48/34 L=2400	1	539-165 ⁴⁾	539-165 ⁴⁾	-	-	-
D13	Joint Sleeve	36/29 L=300	1	539-166 ⁶⁾	539-166 ⁶⁾	-	-	-
D14	Insulator	L=300	1	539-194	539-194	-	-	-
D15	Distance tube	30/28 L=2100	1	539-190	539-190	-	-	-
D16	Connecting plate	74x13	1	539-261	539-261	-	-	-

Luff extrusion 4800 mm Serie 500 S

D12	Luff extrusion	-	-	-	-	60/46 L=4800	1	539-423 ⁴⁾
D13	Joint Sleeve	-	-	-	-	42/39 L=300	1	539-427
D15	Distance tube	-	-	-	-	35/19 L=4500	2	535-676
D16	Connecting plate	-	-	-	-	100x14	1	539-410

¹⁾	Only as an assembly D1-D5, D8	1	539-163-01	539-163-01	-	1	539-424-01
²⁾	Only as an assembly D6-D7	1	539-168-01	539-168-01	-	-	-
³⁾	Only as an assembly D9-D11	1	539-174-01	539-174-01	-	1	539-426-01
⁴⁾	Only as an assembly D12-D16	1	539-165-05	539-165-05	-	1	539-423-10
⁵⁾	Only as an assembly D2-D3	1	536-167-01	536-167-01	-	-	-
⁶⁾	Only as an assembly D13-D14	1	539-166-01	539-166-01	-	-	-



Additional items

Description E

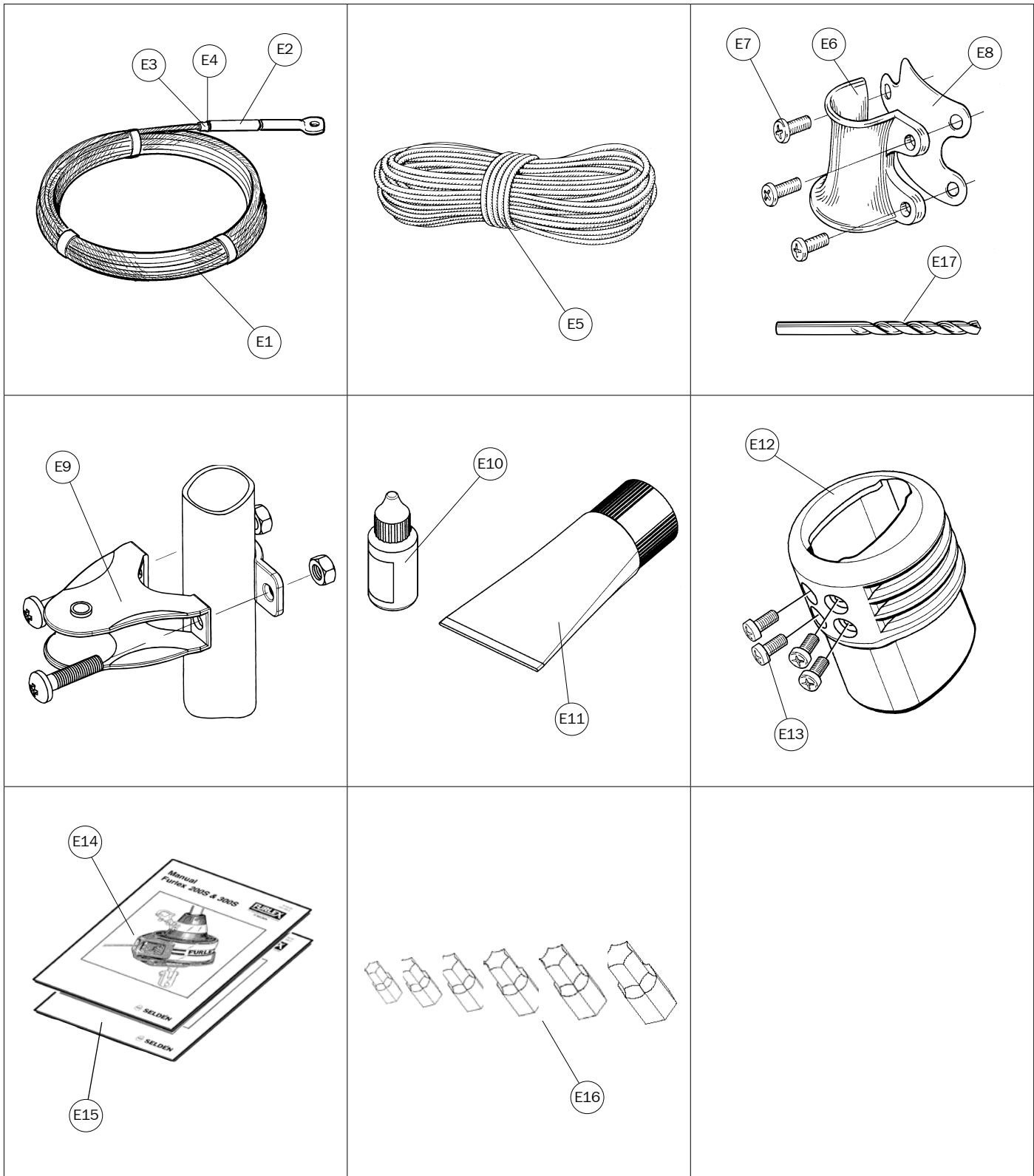
		Serie 400 S				Serie 500 S		
				Forestay wire size				Forestay wire size
Item	Description	Dimension	Qty	Ø 12 mm	Ø 14 mm	Dimension	Qty	Ø 16 mm
E1	Forestay wire pack	L=20400	1	601-009-51	601-010-51	L=23000	1	601-013-07
E1	Forestay wire pack	L=22800	1	601-009-52	601-010-52	L=27800	1	601-013-08
E2	Top bearing	32/28 L=200	1	539-191	539-191	39/17 L=160	1	535-680
E3	Bush	Ø 22/13-30	1	306-916	-	Ø 25/19-30	1	306-909
E3	Bush	Ø 22/16-30	1	-	306-917	-	-	-
E4	Washer	-	-	-	-	Ø 30/17-3	1	164-016
E5	Furling line	Ø 12 L=40000	1	612-036-01	612-036-01	Ø 12 L=40000	1	612-036-01

	Halyard lead set	Assembly number →	508-128-03	508-128-03	-	-	-	
E6	Halyard lead	Ø 20-57	1	508-128 ²⁾	508-128 ²⁾	-	-	-
E7	Self tapping screw	MRX TT 6x12	3	155-703 ²⁾	155-703 ²⁾	-	-	-
E8	Insulator	60x54	1	530-627 ²⁾	530-627 ²⁾	-	-	-

E9	Stanchion block	For Ø 25/30	1	538-210-01	538-210-01	For Ø 25/30	1	538-210-02
E10	Locking adhesive	≈ 10g	1	312-305	312-305	≈ 10g	1	312-305
E11	Lubricating grease	≈ 100g	1	312-501	312-501	≈ 100g	1	312-501
E12	Top Guard	Ø 65X80	1	539-186 ¹⁾	539-186 ¹⁾	Ø 80X80	1	539-408 ¹⁾
E13	Screw	RXS 4.8x13	1	171-017	171-017	RXS 4,8x13	1	171-017
E14	Manual (Swedish)	A4	1	595-116-S	595-116-S	A4	1	595-116-S
E14	Manual (English)	A4	1	595-116-E	595-116-E	A4	1	595-116-E
E14	Manual (German)	A4	1	595-116-T	595-116-T	A4	1	595-116-T
E15	Spare parts list	A4	1	595-117-E	595-117-E	A4	1	595-117-E
E16	Torx bit set	T15/20/25/30/40/45	1	592-087	592-087	T15/20/25/30/40/45	1	592-087

E19	Drillbit	Ø 5.3	1	592-006 ²⁾	592-006 ²⁾	-	-	-
-----	----------	-------	---	-----------------------	-----------------------	---	---	---

¹⁾	Only as a package E12-E13	1	539-186-01	539-186-01	-	1	539-408-01
²⁾	Only as a package E6-E8, E19	1	508-128-03	508-128-03	-	-	-



DINGHIESKEELBOATSYACHTS

Seldén Mast AB, Sweden
Tel +46 (0)31 69 69 00
Fax +46 (0)31 29 71 37
e-mail info@seldenmast.com

Seldén Mast Limited, UK
Tel +44 (0) 1329 504000
Fax +44 (0) 1329 504049
e-mail info@seldenmast.co.uk

Seldén Mast Inc., USA
Tel +1 843-760-6278
Fax +1 843-760-1220
e-mail info@seldenus.com

Seldén Mast A/S, DK
Tel +45 39 18 44 00
Fax +45 39 27 17 00
e-mail info@seldenmast.dk

Seldén Mid Europe B.V., NL
Tel +31 (0) 111-698 120
Fax +31 (0) 111-698 130
e-mail info@seldenmast.nl

Seldén Mast SAS, FR
Tel +33 (0) 251 362 110
Fax +33 (0) 251 362 185
e-mail info@seldenmast.fr

www.seldenmast.com

Dealer:

The Seldén Group is the world's leading manufacturer of masts and rigging systems in carbon and aluminium for dinghies, keelboats and yachts.

The Group consists of Seldén Mast AB in Sweden, Seldén Mast A/S in Denmark, Seldén Mast Ltd in the UK, Seldén Mid Europe B.V. in the Netherlands, Seldén Mast SAS in France and Seldén Mast Inc in the USA.

Our well known brands are Seldén and Furlex. The worldwide success of Furlex has enabled us to build a network of over 750 authorised dealers covering the world's marine markets. So wherever you sail, you can be sure of fast access to our service, spare parts and know-how.

