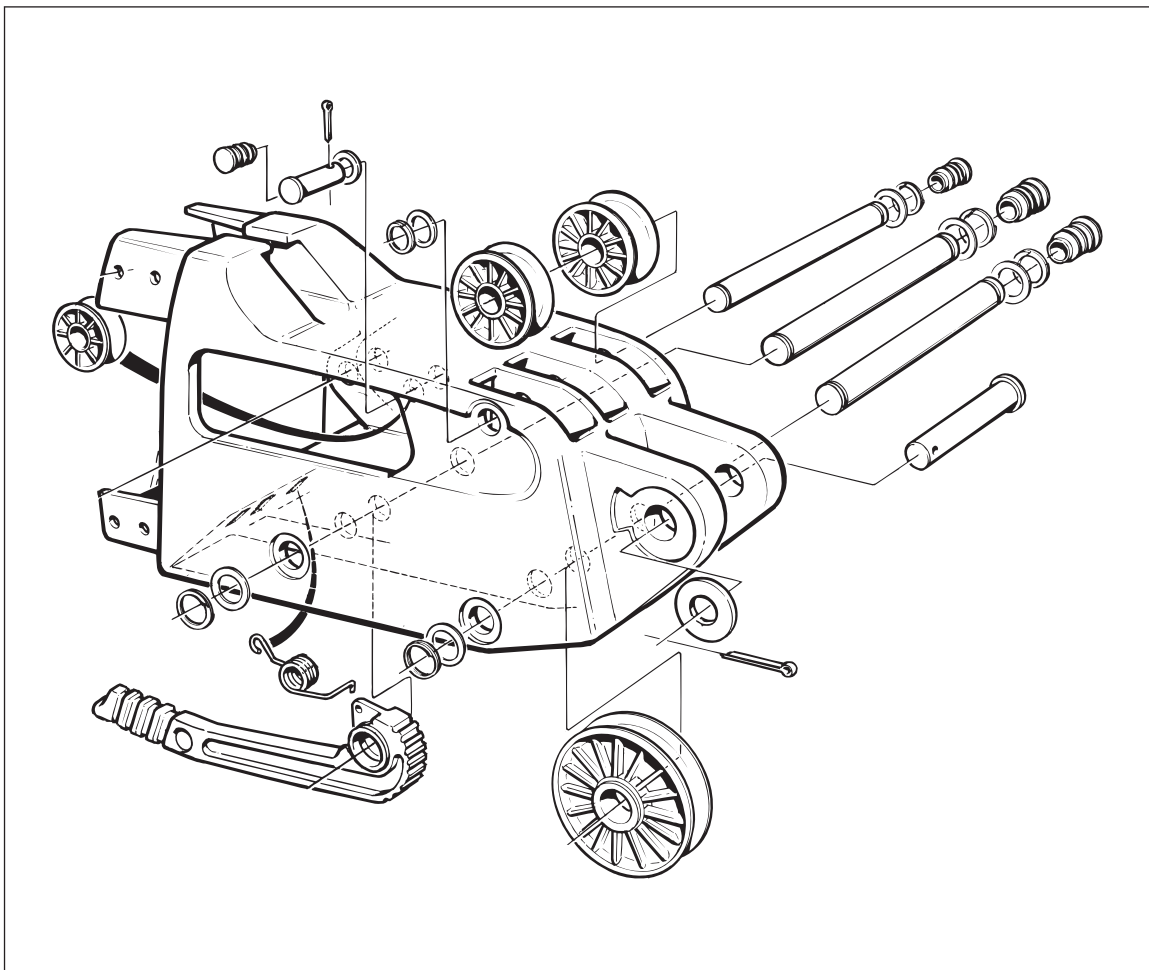


Spare Parts List - Boom

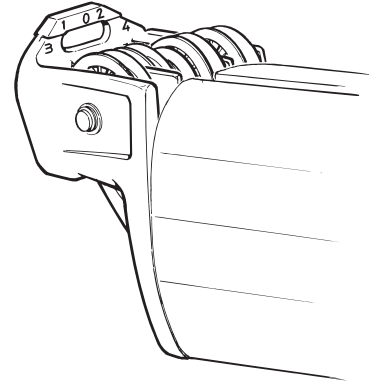


General information

Boom equipment can vary from boat to boat.

This Part List does not list the variations, but gives the maximum quantities that each boom end-fitting can be fitted with for each part number. The boom end-fittings can thus easily be fitted with supplementary parts at a later date. Because the same spareparts drawing is used for all gooseneck end-fittings or for all outboard end-fittings, more items are often shown on the drawing than can actually be fitted.

Nor are the spares drawings necessarily identical to the parts listed.



"Inboard and Outboard boom end" have numbers and letters marked at most of the sheave slots. The spare parts tables refer to these markings ("Pos".) for sheaves and stoppers as they can have different dimensions even if on the same end-fitting.

Boom specifications

Extrusion dimensions mm	Wy min. cm ³ ± 10%	Wx min. cm ³ ± 10%	Weight kg/m + 20% - 0%	Sail groove mm	Lower T-track Dimensions mm	No. of Reefing lines	Size of reefing lines mm	Internal outhaul ratio ***
86/59	14.0	7.8	1.67	4.0 ± 1.0	16x4	2*	ø8	1:3
120/62	24.8	13.7	2.16	5.5 ± 0.75	25x6	2+1 flattening** reef	ø10	1:3
143/76	39.4	20.9	2.83		25x6	3**	ø10	1:3
171/94	67.7	35.7	4.03	6.25 ± 0.75	25x6	3**	ø12	1:4
200/117	112	55.5	5.36		32x8	4**	ø12	1:4
250/140	185	91.4	6.96		32x8	4**	ø14	1:4

* 86/59 can not be fitted with "Single-Line Reefing"

** Maximum two "Single-Line Reefs" can be fitted. Further reefs must be with Running Hooks.

*** Conventional Outhaul

Dimensions inboard boom end

Extrusion dimensions mm	A	W	ØD
86/59	9	15	8
120/62	14	20	10
143/76	15	20	12
171/94	16	20	12
200/117	20	30	16
250/140	18	30	16

Seldén Mast AB reserves the right to alter the design or specification without prior warning, to allow unrestricted future product development.

Contents

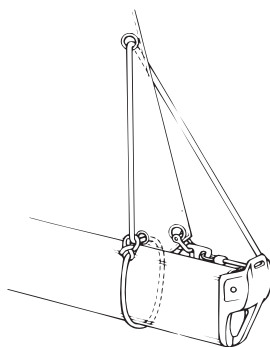
	<i>Page</i>		<i>Page</i>
General information	2	Sliders	
Table of booms	2	<i>Mainsheet sliders</i>	<i>12-13</i>
Spare parts inboard and outboard ends		<i>Kicker sliders</i>	<i>12-13</i>
<i>86/59 & 120/62</i>	<i>4-5</i>	Single line reef	<i>14-15</i>
<i>143/76 & 171/94</i>	<i>6-7</i>		
<i>200/117 & 250/140</i>	<i>8-9</i>		
Outhauls			
<i>Conventional outhaul</i>	<i>10-11</i>		
<i>In-mast furling outhaul</i>	<i>10-11</i>		
<i>Cars</i>	<i>10-11</i>		

Reef line knot

IMPORTANT!

The reefing line is tied as illustrated, with a bowline and running noose.

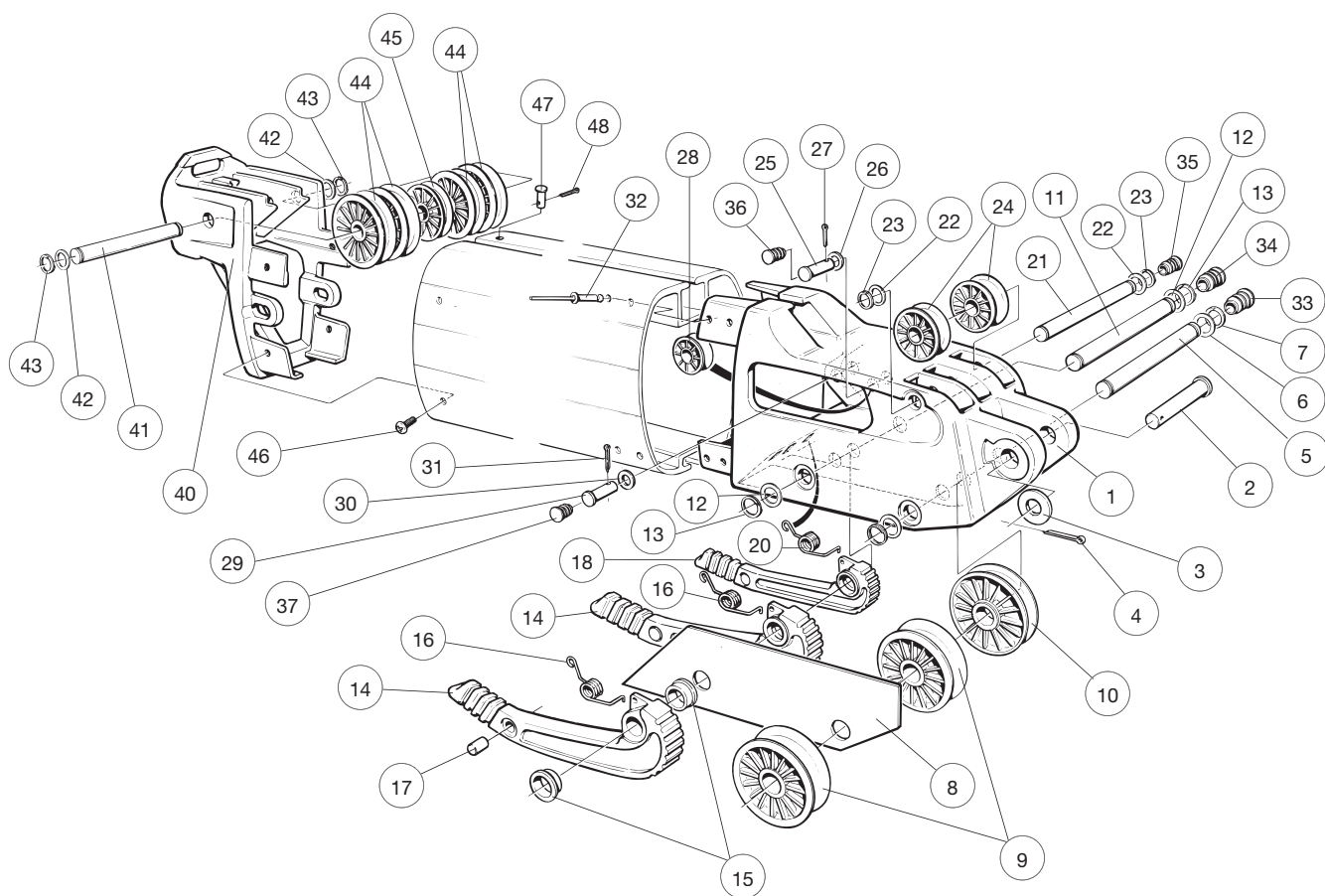
No. 1 reef is shown. Note that grommets are required along the foot for each reef.



Inboard boom end

Item	Description	Boom dimension: 86/59				120/62			
		Dimension	Qty	Part no.	Pos.	Dimension	Qty	Part no.	Pos.
1	Inboard boom end fitting	85/58, 86/59	1	509-013	–	120/62	1	509-025	–
2	Clevis pin	ø8x36	1	165-107	–	ø10x50	1	165-206	–
4	Split pin	–	–	–	–	ø2,9x16	1	301-049	–
4	Split ring	ø20x1,5	1	301-015	–	–	–	–	–
–	Pin	ø5x40	1 ³⁾	166-083	–	–	–	–	–
–	Split pin	ø2x10	2	301-046	–	–	–	–	–
5	Pin	–	–	–	–	ø10x72	1	166-326	–
5	Clevis pin	ø8x63	1	165-118	–	–	–	–	–
6	Washer	ø17/8-2	1 ¹⁾	164-002	–	ø20/10-0,8	2 ¹⁾	164-028	–
7	Circular clip	–	–	–	–	ø12/9	2	301-073	–
7	Split pin	ø2,5x12	1	301-047	–	–	–	–	–
8	Separator	–	–	–	–	44x150x2	2	537-152	–
9	Sheave	ø45/8-13	2	504-320	–	ø45/10-11	4	504-504	0,1,2,F
10	Sheave (spacer)	ø70/12-16	1	504-332	–	–	–	–	–
11	Pin	ø10x66	1	166-084	–	ø10x72	1	166-326	–
12	Washer	ø20/10-0,8	1 ¹⁾	164-028	–	ø20x10-0,8	2 ¹⁾	164-028	–
13	Circular clip	–	–	–	–	ø12/9	2	301-073	–
13	Pin	ø3x18	1	166-046	–	–	–	–	–
13	Split pin	ø2,5x12	1	301-047	–	–	–	–	–
14	Jam lever	13x105	2	511-062-01	–	11x120	4	511-074	0,1,2,F
15	Flange bushing	–	–	–	–	ø15/12/10-5,5	8	306-327	–
16	Spring	–	–	–	–	ø1,8/Dy15/L8/N4,13	4	308-062	–
17	Plug - White	–	–	–	–	ø8	1	319-529	–
17	Plug - Blue	–	–	–	–	ø8	1	319-530	–
17	Plug - Red	–	–	–	–	ø8	1	319-531	–
17	Plug - Yellow	–	–	–	–	ø8	1	319-532	–
17	Plug - Green	–	–	–	–	ø8	1	319-533	–
17	Plug - Black	–	–	–	–	ø8	1	319-534	–
21	Pin	–	–	–	–	ø10x66	1	166-325	–
22	Washer	–	–	–	–	ø20/10-0,8	2 ¹⁾	164-028	–
23	Circular clip	–	–	–	–	ø12/9	2	301-073	–
24	Sheave	–	–	–	–	ø38/10-11	2	504-505	²⁾
25	Clevis pin	–	–	–	–	ø8x27	1	165-113	–
27	Split pin	–	–	–	–	ø2,5x12	1	301-047	–
28	Sheave	–	–	–	–	ø28x8-13	1	504-319	–
32	Poprivet LD 850	–	–	–	–	ø6,4x12,7	4	167-004	–
32	Poprivet LD 650	ø4,8x12,7	4	167-018	–	–	–	–	–
33	Plug	ø12/4,5-11	2	319-595	–	ø14/8-12	2	319-596	–
34	Plug	ø14/8-12	2	319-596	–	ø14/8-12	2	319-596	–
35	Plug	–	–	–	–	ø14/8-12	2	319-596	–
36	Plug	–	–	–	–	ø12/4,5-11	2	319-596	–

1)	Plastic washers are only intended as spacers to fill out possible gaps between locking rings and fittings. Correct quantities cannot therefore be specified. The table shows the recommended quantity of plastic washers when retro-fitting.
2)	Only two outer sheave slots of the three on the upper face on the outboard end-fitting should be used for luff reefing arrangements.
3)	Fastening for outhaul block.



Outboard boom end

Item	Description	Boom dimension: 86/59				120/62			
		Dimension	Qty	Part no.	Pos.	Dimension	Qty	Part no.	Pos.
40	Outboard boom end fitting	86/59	1	500-010	–	120/62	1	500-021	–
41	Pin	–	–	–	–	ø10x66	1	166-325	–
41	Clevis pin	ø8/55	1	165-119	–	–	–	–	–
42	Washer					ø20/10-0,8	1 ¹⁾	164-028	–
43	Circular clip	–	–	–	–	ø12/9	2	301-073	–
43	Split pin	ø2,5x12	1	301-047	–	–	–	–	–
44	Sheave	ø45/8-13	2	504-320	–	ø45/10-11	3	504-504	0,1,2
45	Sheave	ø28/8-5,5	1	504-023-01	–	ø38/10-11	1	504-505	–
46	Screw	MRX-6x12	2	155-613	–	MRX 6x12	2	155-613	–

47	Clevis pin	–	–	–	–	ø5x28	1	165-601	–
48	Split pin	–	–	–	–	ø2x10	1	301-046	–

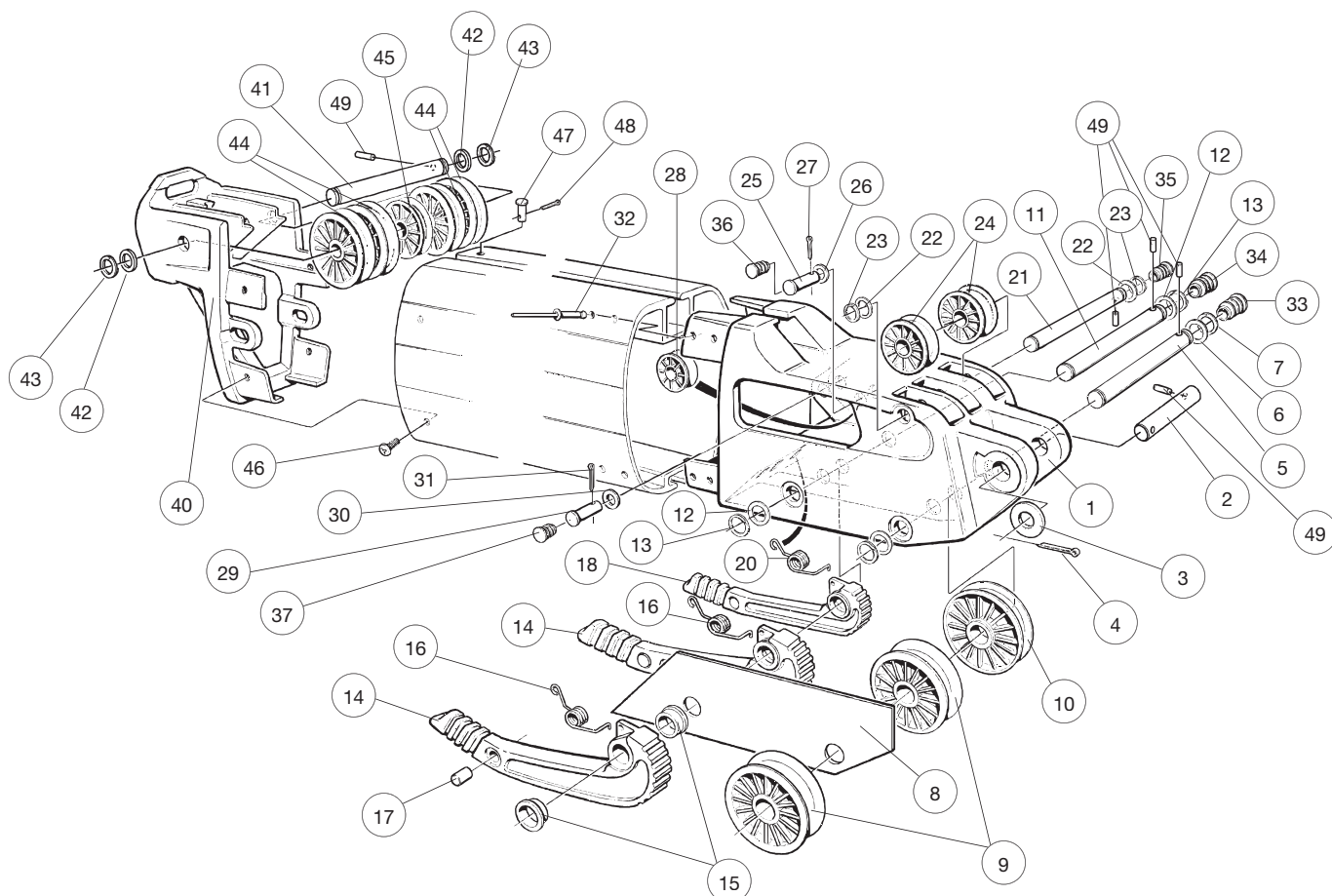
1) Plastic washers are only intended as spacers to fill out possible gaps between locking rings and fittings. Correct quantities cannot therefore be specified. The table shows the recommended quantity of plastic washers when retro-fitting.

Inboard boom end

Item	Description	Boom dimension: 143/76				171/94			
		Dimension	Qty	Part no.	Pos.	Dimension	Qty	Part no.	Pos.
1	Inboard boom end fitting	143/76	1	509-017	-	171/94	1	509-018	-
2	Clevis pin	ø12x61	1	166-257 ⁸⁾⁹⁾	-	ø12x61	1	166-257 ⁸⁾⁹⁾	-
3	Washer	ø24/13-2,5	1	164-404	-	ø24/13-2,5	1	164-404	-
4	Split pin	ø4x18	1	301-061	-	ø4x18	1	301-061	-
5	Pin*	ø10x82,5	1	166-313 ⁵⁾	-	ø12x98,5	1	166-308 ⁵⁾	-
6	Washer	ø20/10-0,8	2 ¹⁾	164-028	-	ø20/12,2-0,5	2 ¹⁾	164-025	-
7	Circular clip	ø12/9	2	301-073	-	ø14/11	2	301-070	-
8	Separator	44x159x2	2	537-151	-	-	-	-	-
9	Sheave	ø45/10-13	4	504-321	0,1,2,3	ø57/12-13	4	504-324	0,1,2,3
11	Pin*	ø12x82	1	166-312 ⁶⁾	-	ø12x98,5	1	166-308 ⁶⁾	-
12	Washer	ø20/12,2-0,5	2 ¹⁾	164-025	-	ø20x12,2-0,5	2 ¹⁾	164-025	-
13	Circular clip	ø14/11	2	301-070	-	ø14/11	2	301-070	-
14	Jam lever	13x150	4	511-072	0,1,2,3	13x150	4	511-072	0,1,2,3
15	Flange bushing	ø18/14/12-6,5	8	306-326	-	ø18/14/12-6,5	8	306-326	-
16	Spring	ø1,8/Dy15/L8/N4,13	4	308-062	-	ø1,8/Dy15/L8/N4,13	4	308-062	-
17	Plug - White	ø8	1	319-529	-	ø8	1	319-529	-
17	Plug - Blue	ø8	1	319-530	-	ø8	1	319-530	-
17	Plug - Red	ø8	1	319-531	-	ø8	1	319-531	-
17	Plug - Yellow	ø8	1	319-532	-	ø8	1	319-532	-
17	Plug - Green	ø8	1	319-533	-	ø8	1	319-533	-
17	Plug - Black	ø8	1	319-534	-	ø8	1	319-534	-
21	Pin*	ø10x82,5	1	166-313 ⁷⁾	-	ø10x93,5	1	166-309 ⁷⁾	-
22	Washer	ø20/10-0,8	2 ¹⁾	164-028	-	ø20/10-0,8	2 ¹⁾	164-028	-
23	Circular clip	ø12/9	2	301-073	-	ø12/9	2	301-073	-
24	Sheave	ø38/10-11	2	504-505	2)	ø45/10-13	2	504-321	2)
25	Clevis pin	ø10x28	1	165-203	-	ø10x28	1	165-203	-
26	Washer	ø20/10-2	1	164-004	-	-	-	-	-
27	Split pin	ø2,5x16	1	301-048	-	ø2,5x16	1	301-048	-
28	Sheave	ø38/10-11	1	504-505	-	ø38/10-11	1	504-505	-
29	Clevis pin	-	-	-	-	ø10x28	1	165-203	-
31	Split pin	-	-	-	-	ø2,5x16	1	301-048	-
32 a	Poprivet LD 850	ø6,4x12,7 ³⁾	2	167-004	-	ø6,4x12,7	6	167-004	-
32 b	Poprivet LD 870	ø6,4x17,8 ⁴⁾	4	167-002	-	-	-	-	-
33	Plug	ø14/8-12	2	319-596	-	ø15/9,5-12	2	319-597	-
34	Plug	ø15/9,5-12	2	319-597	-	ø15/9,5-12	2	319-597	-
35	Plug	ø14/8-12	2	319-596	-	ø14/8-12	2	319-596	-
36	Plug	ø14/8	2	319-596	-	ø14/8	2	319-596	-
37	Plug	-	-	-	-	ø14/8	2	319-596	-

1)	Plastic washers are only intended as spacers to fill out possible gaps between locking rings and fittings. Correct quantities cannot therefore be specified. The table shows the recommended quantity of plastic washers when retro-fitting.								
2)	Only two outer sheave slots of the three on the upper face on the outboard end-fitting should be used for luff reefing arrangements.								
3)	Upper flanges								
4)	Lower flanges								
5)	Also as a package	5 + 49	1	166-313-01	-	-	1	166-308-01	-
6)	Also as a package	11 + 49	1	166-312-01	-	-	1	166-308-01	-
7)	Also as a package	21 + 49	1	166-313-01	-	-	1	166-309-01	-
8)	Also as a package	2 + 49	1	166-257-01	-	-	1	166-257-01	-
9)	Booms made before 2003 use article number 165-413								

* For inboard casting without locking pin recess (before 2003) see separate table on page 7.



For inboard casting without locking pin recess (before 2003)

		Boom 143/76	Boom 171/94
		Part no.	Part no.
	5	Package for replacement	166-313-02
	11	Package for replacement	166-312-02
	21	Package for replacement	166-313-02
	41	Package for replacement	166-313-02

Outboard boom end

Item	Description	Boom dimension: 143/76				171/94			
		Dimension	Qty	Part no.	Pos.	Dimension	Qty	Part no.	Pos.
40	Outboard boom end fitting	143/76	1	500-019	-	174/94	1	500-016	-
41	Pin*	ø10x82,5	1	166-313 ²⁾	-	ø12x98,5	1	166-308 ²⁾	-
42	Washer	ø20/10-0,8	2 ¹⁾	164-028	-	ø20/10-0,8	2 ¹⁾	164-028	-
43	Circular clip	ø12/9	2	301-073	-	ø14/11	2	301-070	-
44	Sheave	ø45/10-11	4	504-504	1,2,3,4	ø70/12-13	4	504-326	1,2,3,4
45	Sheave	ø38/10-11	1	504-505	0	ø57/12-13	1	504-324	0
46	Screw	MRX 6x12	4	155-613	-	MRX 6x12	4	155-613	-

47	Clevis pin	ø5x41	1	165-604	-	ø5x41	1	165-604	-
48	Split pin	ø2x10	1	301-046	-	ø2x10	1	301-046	-
49	Locking pin	ø4x11	1	166-259	-	ø4x11	1	166-259	-

1) Plastic washers are only intended as spacers to fill out possible gaps between locking rings and fittings. Correct quantities cannot therefore be specified. The table shows the recommended quantity of plastic washers when retro-fitting.

2)	Also as a package 41 + 49	1	166-313-01	-	-	1	166-308-01	-
----	---------------------------	---	------------	---	---	---	------------	---

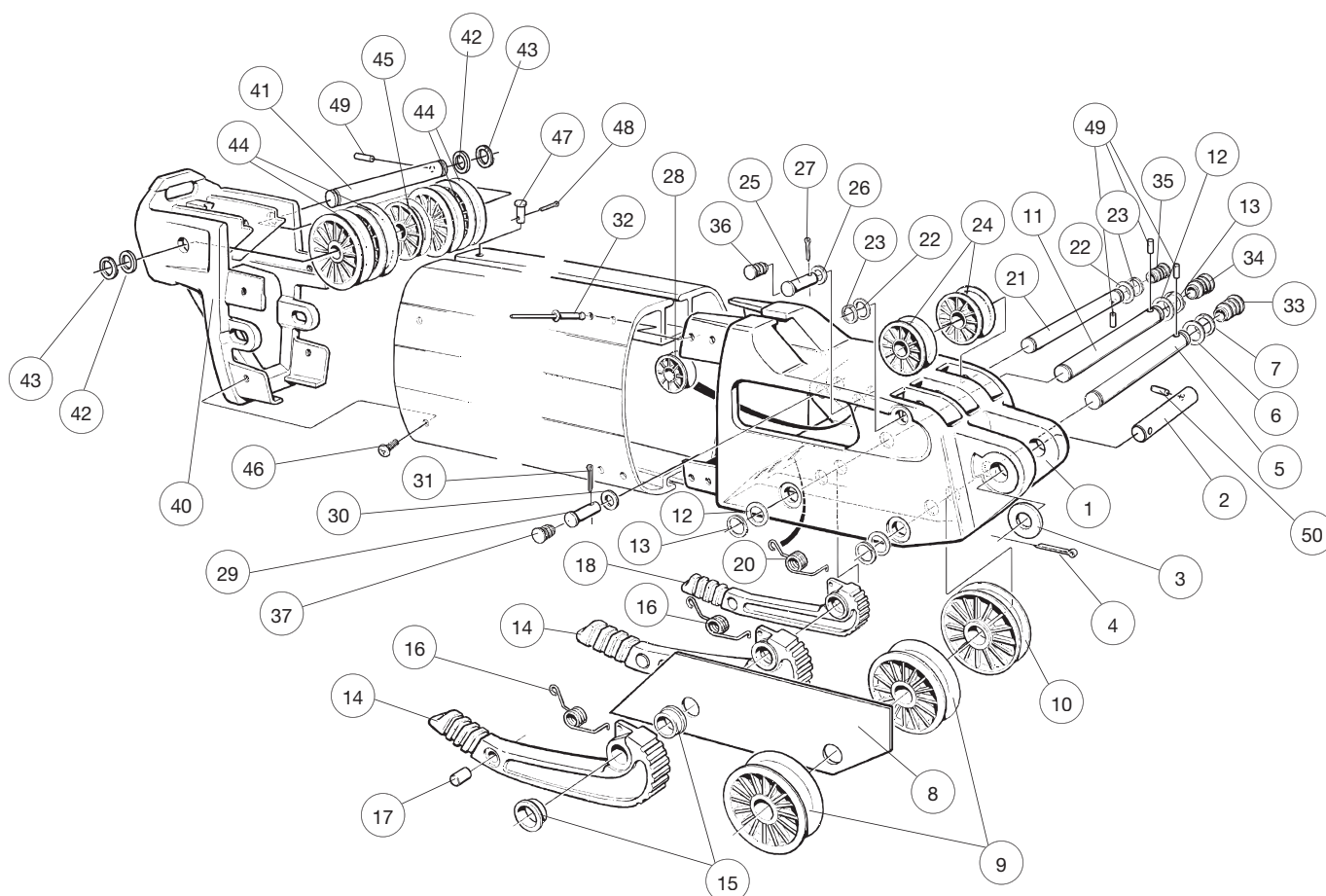
* For inboard casting without locking pin recess (before 2003) see separate table on page 7.

Inboard boom end

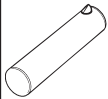
		Boom dimension: 200/117				250/140			
Item	Description	Dimension	Qty	Part no.	Pos.	Dimension	Qty	Part no.	Pos.
1	Inboard boom end fitting	200/117	1	509-019	-	250/140	1	509-020	-
2	Clevis pin	ø16x76	1	166-256 ⁵⁾⁶⁾	-	ø16x76	1	166-256 ⁵⁾⁶⁾	-
3	Washer	ø30/17-3	1	164-410	-	ø30/17-3	1	164-410	-
4	Split pin	ø5x28	1	301-054	-	ø5x28	1	301-054	-
5	Pin*	ø14x124	1	166-304 ³⁾	-	ø14x142	1	166-322 ³⁾	-
6	Washer	ø20/14-1	2 ¹⁾	164-026	-	ø20/14-1	2 ¹⁾	164-026	-
7	Circular clip	ø16/13	2	301-071	-	ø16/13	2	301-071	-
8	Separator	225x63x2	2	537-150	-	-	-	-	-
9	Sheave	ø70/14-16	4	504-333	0,1,2,3,4	ø70/14-16	5	504-333	0,1,2,3,4
10	Sheave	ø70/14-13	1	504-327	0	-	-	-	-
11	Pin*	ø14x124	1	166-304 ³⁾	-	ø14x142	1	166-322 ³⁾	-
12	Washer	ø20/14-1	2 ¹⁾	164-026	-	ø20/14-1	2 ¹⁾	164-026	-
13	Circular clip	ø16/13	2	301-071	-	ø16/13	2	301-071	-
14	Jam lever	16x190	4	511-071	0,1,2,3,4	16x190	5	511-071	0,1,2,3,4
15	Flange bushing	ø24/20/14-7,5	8	306-325	-	ø24/20/14-7,5	10	306-325	-
16	Spring	ø2/Dy17,2/L8/N4,13	4	308-061	-	ø2/Dy17,2/L8/N4,13	5	308-061	-
17	Plug – White	ø8	1	319-529	-	ø8	1	319-529	-
17	Plug – Blue	ø8	1	319-530	-	ø8	1	319-530	-
17	Plug – Red	ø8	1	319-531	-	ø8	1	319-531	-
17	Plug – Yellow	ø8	1	319-532	-	ø8	1	319-532	-
17	Plug – Green	ø8	1	319-533	-	ø8	1	319-533	-
17	Plug – Black	ø8	1	319-534	-	ø8	1	319-534	-
18	Jam lever	13x150	1	511-072	0	-	-	-	-
20	Spring	ø1,8/Dy15/L8/N4,13	1	308-062	-	-	-	-	-
21	Pin*	ø12x112	1	166-305 ⁴⁾	-	ø14x130	1	166-301 ⁴⁾	-
22	Washer	ø20/12,2-0,5	2 ¹⁾	164-025	-	ø20/14-1	2 ¹⁾	164-026	-
23	Circular clip	ø14/11	2	301-070	-	ø16/13	2	301-071	-
24	Sheave	ø45/12-16	2	504-502	2)	ø70/14-16	2	504-333	2)
25	Clevis pin	ø10x32	1	165-205	-	ø10x35	1	165-221	-
26	Washer	ø20/10-0,8	1 ¹⁾	164-028	-	ø20/10-0,8	1 ¹⁾	164-028	-
27	Split pin	ø2,5x16	1	301-048	-	ø2,5x16	1	301-048	-
28	Sheave	ø45/10-13	1	504-321	-	ø57/10-13	1	504-323	-
29	Clevis pin	ø10x32	1	165-205	-	ø10x32	1	165-205	-
30	Washer	ø20/10-2	1	164-004	-	-	-	-	-
30	Washer	ø20/10-0,8	1 ¹⁾	164-028	-	ø20/10-0,8	1 ¹⁾	164-028	-
31	Split pin	ø2,5x16	1	301-048	-	ø2,5x16	1	301-048	-
32	Poprivet LD 870	ø6,4x17,8	8	167-002	-	ø6,4x17,8	12	167-002	-
33	Plug	ø18/12-12	2	319-598	-	ø18/12-12	2	319-598	-
34	Plug	ø18/12-12	2	319-598	-	ø18/12-12	2	319-598	-
35	Plug	ø15/9,5-12	2	319-597	-	ø18/12-12	2	319-598	-
36	Plug	ø14/8-12	2	319-596	-	ø14/8-12	2	319-596	-
37	Plug	ø14/8-12	2	319-596	-	ø14/8-12	2	319-596	-

1)	Plastic washers are only intended as spacers to fill out possible gaps between locking rings and fittings. Correct quantities cannot therefore be specified. The table shows the recommended quantity of plastic washers when retro-fitting.								
2)	Only two outer sheave slots of the three on the upper face on the outboard end-fitting should be used for luff reefing arrangements.								
3)	Also as a package	5 or 11 + 49	1	166-304-01	-	-	1	166-322-01	-
4)	Also as a package	21 + 49	1	166-305-01	-	-	1	166-301-01	-
5)	Also as a package	2 + 50	1	166-256-01	-	-	1	166-256-01	-
6)	Booms made before 2003 use article number 165-559								

* For inboard casting without locking pin recess (before 2003) see separate table on page 9.



For inboard casting without locking pin recess (before 2003)

		Boom 200/117	Boom 250140
		Part no.	Part no.
	5	Package for replacement	166-304-02
	11	Package for replacement	166-304-02
	21	Package for replacement	166-305-02
	41	Package for replacement	166-307-02

Outboard boom end

Item	Description	Boom dimension: 200/117				250/140			
		Dimension	Qty	Part no.	Pos.	Dimension	Qty	Part no.	Pos.
40	Outboard boom end fitting	200/117	1	500-017	-	250/140	1	500-018	-
41	Pin*	ø14x118	1	166-307 ²⁾	-	ø14x142	1	166-322 ²⁾	-
42	Washer	ø20/14-1	2 ¹⁾	164-026	-	ø20/14-1	2 ¹⁾	164-026	-
43	Circular clip	ø16/13	2	301-071	-	ø16/13	2	301-071	-
44	Sheave	ø70/14-16	4	504-333	1,2,3,4	ø90/14-16	5	504-336	0,1,2,3,4
45	Sheave	ø57/14-13	1	504-348	0	-	-	-	-
46	Screw	MRX 6x12	4	155-613	-	MRX 6x12	4	155-613	-
47	Clevis pin	ø5x41	1	165-604	-	ø5x41	1	165-604	-
48	Split pin	ø2x10	1	301-046	-	ø2x10	1	301-046	-
49	Locking pin	ø4x11	1	166-259	-	ø 4x11	1	166-259	-
50	Locking pin	ø5x16	1	166-258	-	ø5x 16	1	166-258	-

1) Plastic washers are only intended as spacers to fill out possible gaps between locking rings and fittings. Correct quantities cannot therefore be specified. The table shows the recommended quantity of plastic washers when retro-fitting.

2) Also as a package 41 + 49

* For inboard casting without locking pin recess (before 2003) see separate table on page 9.

Outhaul

			Boom dimension: 86/59			Boom dimension: 120/62		
	Item	Description	Dimension	Qty	Part no.	Dimension	Qty	Part no.
Conventional Outhaul	A1	Outhaul car "4"	–	–	–	66x46x2,5	1	507-519
	–	Outhaul slider	T=4/5,5	1	511-519	–	–	–
	A2	Pin	–	–	–	ø8x16	2	166-144
	A3	Wheel	–	–	–	ø19/8-8	4	504-345
	A4	Sliding Strip	–	–	–	70x14x9	1	530-713
	A6	Shackle	5x15x34	1	307-001	M8x16x35	1	307-026
	–	Recommended wire size	ø3-7x19	1 ¹⁾	602-001	ø4-7x19	1 ¹⁾	602-002
	–	Flange bushing	13/9,5/4/10	1	319-508	–	–	–
	–	Recommended line size	ø8 Braid line	–	611-005	ø10 Braid line	–	611-005
	–	Internal becket block	HA 93	1	538-502	R312	1	538-211
–	Block – fiddle/cleat ³⁾	HA 165	1	538-501	–	–	–	
In-mast furling Outhaul	A1	Outhaul car "4"	–	–	–	66x46x2,5	1	507-519
	A2	Pin	–	–	–	ø8x16	2	166-144
	A3	Wheel	–	–	–	ø19/8-8	4	504-345
	A4	Sliding Strip	–	–	–	70x14x9	1	530-713
	A5	Spring	–	–	–	ø2,25/Dy36,5-26/L70	1	308-074
	A6	Shackle dito	–	–	–	M6x13x25	–	307-020
	A7	Recommended line size	–	–	–	ø10 Braid line	–	611-009
	A9	Block – single	–	–	–	R 311	1	538-982
	A10	Block – single	–	–	–	R 501	1	538-923

			Boom dimension: 143/76			Boom dimension: 171/94		
	Item	Description	Dimension	Qty	Part no.	Dimension	Qty	Part no.
Conventional Outhaul	A1	Outhaul car "4"	74x52x4	1	507-569	74x52x4	1	507-569
	A2	Pin	ø8x20	2	166-072	ø8x20	2	166-072
	A3	Wheel	ø27,5/8,2-9,3	4	504-500	ø27,5/8,2-9,3	4	504-500
	A6	Shackle	M8x16x35	1	307-026	M10x19x38	1	307-024
	–	Recommended wire size	ø4-7x19	4 ⁴⁾	602-002	ø4-7x19	4 ⁴⁾	602-002
	–	Recommended line size	ø10 Braid line	–	611-009	ø10 Braid line	–	611-009
	–	Internal block	R 502 (single becket block)	1	538-927	R 521 (fiddle block)	1	538-927
In-mast furling Outhaul	B1	Outhaul ca "4+2"	75x50	1	511-802	75x50	1	511-802
	B2	Wheel (Vertical)	ø27,5/8,2-9,3	4	504-500	ø27,5/8,2-9,3	4	504-500
	B3	Wheel (Horizontal)	ø25,3/8-6,5	2	504-501	ø25,3/8-6,5	2	504-501
	B4	Spring	ø2,25/Dy36,5-26/L70	1	308-074	ø2,25/Dy36,5-26/L70	1	308-074
	B5	Recommended line size	ø10 Braid line	–	611-009	ø10 Braid line	–	611-009
	B6	Shackle dito	M6x13x25	1	307-020	M6x13x25	1	307-020
	B7	Block – single	R 501	1	538-923	R 501	1	538-923
	B8	Block – single	R 601	1	538-900	R 601	1	538-900
	B9	Doughnut	ø70/18-20	1	319-723	ø70/18-20	1	319-723

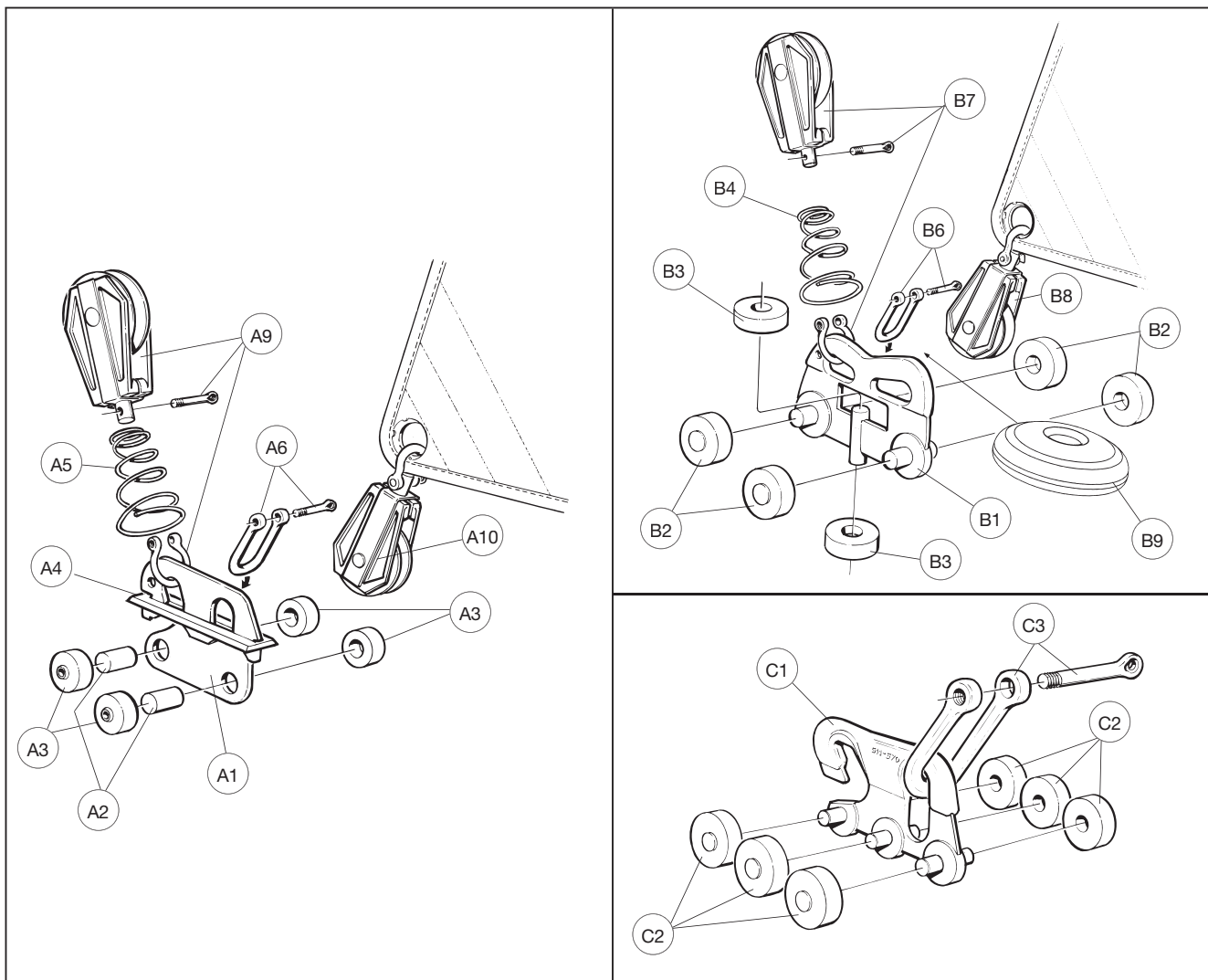
1)	L= Extrusion length – 350 mm.
3)	To be assembled at the inboard end.
4)	L= Extrusion length – 300 mm.
5)	If the main sheet is attached more than 1,5 m from the outboard boom end, two sliders are recommended to distribute the main sheet load.

Outhaul

	Boom dimension: 200/117				Boom dimension: 250/140			
	Item	Description	Dimension	Qty	Part no.	Dimension	Qty	Part no.
Conventional	C1	Outhaul car "6"	90x54	1	511-570	90x54	1	511-570
	C2	Wheel	ø27,5/8,2-9,3	6	504-500	ø27,5/8,2-9,3	6	504-500
	C3	Shackle	M10x19x38	1	307-024	M10x19x38	1	307-024
	-	Recommended wire size	ø5-7x19	4)	602-003	ø5-7x19	4)	602-003
	-	Recommended line size	ø10 Braid line	-	611-009	ø10 Braid line	-	611-009
	-	Internal fiddle block	R 621	1	538-905	R 621	1	538-905
In-mast furling	B1	Outhaul car "6+4"	132x60	1	511-803	132x60	1	511-803
	B2	Wheel (Vertical)	ø27,5/8,2-9,3	6	504-500	ø27,5/8,2-9,3	6	504-500
	B3	Wheel (Horizontal)	ø25,3/7,95-6,5	4	504-501	ø27,3/7,95-6,5	4	504-501
	B4	Spring	ø2,5/Dy 36,5-26/L70	1	308-074	ø2,5/Dy36,5-26/L70	1	308-074
	B5	Recommended line size	ø12 Braid line	-	611-013	ø12 Braid line	-	611-013
	B6	Shackle dito	M8x16x32	1	307-021	M8x16x32	1	307-021
	B7	Block – single	R 601	1	538-900	R 601	1	538-900
	B8	Block – single	R 801	1	538-950	R 801	1	538-950
	B9	Doughnut	ø70/18-20	1	319-723	ø70/18-20	1	319-723

- 1) L= Extrusion length – 350 mm.
- 3) To be assembled at the inboard end.
- 4) L= Extrusion length – 300 mm.

5) If the main sheet is attached more than 1,5 m from the outboard boom end, two sliders are recommended to distribute the main sheet load.



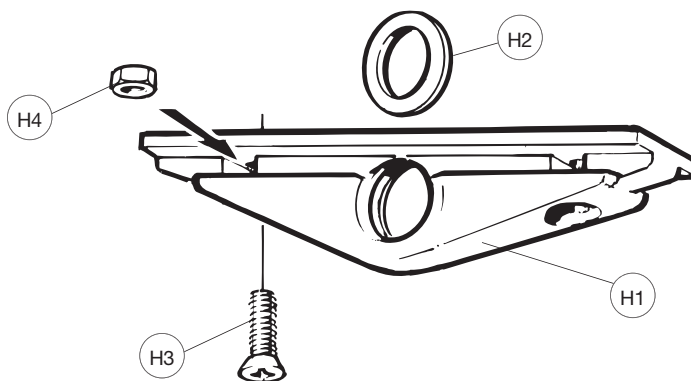
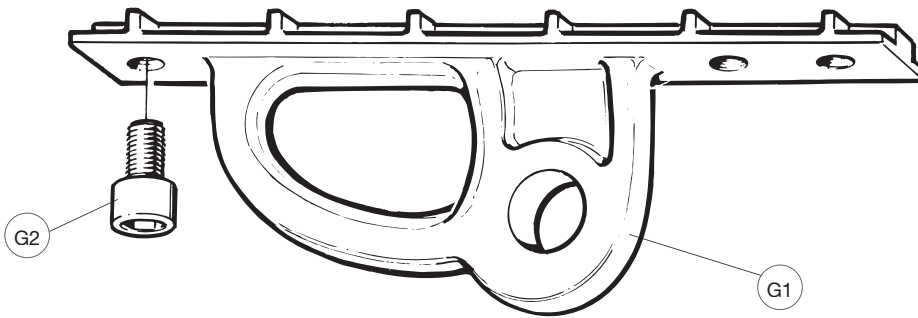
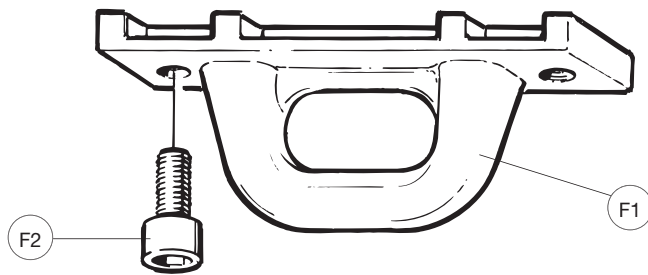
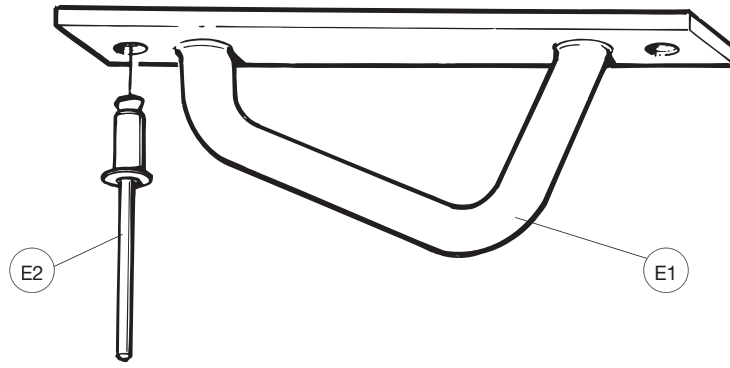
Sliders

		Boom dimension: 86/59			Boom dimension: 120/62		
Item	Description	Dimension	Qty	Part no.	Dimension	Qty	Part no.
E1	Rodkicker slider	T16-126	1	511-556	–	–	–
E2	Poprivet LD 850	Ø6,4x12,7	2	167-004	–	–	–
F1	Main sheet slider	–	–	–	T25-82	1 ⁵⁾	511-571
F2	Screw	–	–	–	MRX 6x12	2	155-613
G1	Kicker slider	–	–	–	T25-140	1	511-800
G2	Screw	–	–	–	MC6S 8x16	3	153-006
H1	Main sheet/Kicker slider	T16	1 ⁵⁾	511-555	–	–	–
H2	Washer	ø24/13-2,5	1	164-404	–	–	–
H3	Screw	MFX 5x16	2	162-029	–	–	–
H4	Nut	M5	2	157-002	–	–	–

		Boom dimension: 143/76			171/94		
Item	Description	Dimension	Qty	Part no.	Dimension	Qty	Part no.
F1	Main sheet slider	T25-82	1 ⁵⁾	511-571	T25-82	1 ⁵⁾	511-571
F2	Screw	MRX 6x12	2	155-613	MRX 6x12	2	155-613
G1	Kicker slider	T25-140	1	511-800	T25-140	1	511-800
G2	Screw	MC6S 8x16	3	153-006	MC6S 8x16	3	153-006

		Boom dimension: 200/117			250/140		
Item	Description	Dimension	Qty	Part no.	Dimension	Qty	Part no.
F1	Main sheet slider	T32-98	1 ⁵⁾	511-572	T32-98	1 ⁵⁾	511-572
F2	Screw	MC6S 8x16	2	153-006	MC6S 8x16	2	153-006
G1	Kicker slider	T32-180	1	511-801	T32-180	x	511-801
G2	Screw	MC6S 10x16	3	153-011	MC6S 10x16	3	153-011

1)	L= Extrusion length – 350 mm.
3)	To be assembled at the inboard end.
4)	L= Extrusion length – 300 mm.
5)	If the main sheet is attached more than 1,5 m from the outboard boom end, two sliders are recommended to distribute the main sheet load.



Single line reef

		Boom dimension: 86/59			Boom dimension: 120/62							
Item	Description				Dimension	Qty	Part no.					
Starboard		Single line reef is not available for 86/59			Assembly number →		538-851-01					
	K1				Block – Starboard	120x109	1	538-851				
	K2				Wheel	ø14/8-8,5	4	504-346				
	K3				Sheave	ø45/10-11	1	504-504				
	K5				Pin	ø10x19,5	2	166-342				
	K7				Circlip	ø12/9	4	301-073				
	K10				Braid line – Blue Eye, Braid line	ø10	1	611-011 611-011-92				
	K11				Heat shrink	ø19/6-60	1	319-560				
	K12				Shackle	M6x13x25	1	307-020				
	K13				Block	R 311	1	538-982				
	K15				Braid line – Blue	ø10	1	611-011				
	Portside					Single line reef is not available for 86/59			Assembly number →		538-852-01	
					K9				Block – Portside	120x109	1	538-852
					K2				Wheel	ø14/8-8,5	4	504-346
					K3				Sheave	ø45/10-11	1	504-504
K5		Pin	ø10x19,5	2	166-342							
K7		Circlip	ø12/9	4	301-073							
K10		Braid line – Red Eye, Braid line	ø10	1	611-010 611-010-92							
K11		Heat shrink	ø19/6-60	1	319-560							
K12		Shackle	M6x13x25	1	307-020							
K13		Block	R311	1	538-982							
K15		Braid line – Blue	ø10	1	611-010							

		Boom dimension: 143/76			Boom dimension: 171/94			
Item	Description	Dimension	Qty	Part no.	Dimension	Qty	Part no.	
Starboard		Assembly number →			538-853-01	Assembly number →		538-855-01
	K1	Block – Starboard	140x120	1	538-853	175x160	1	538-855
	K2	Wheel	ø14/8-8,5	4	504-346	ø14/8-8,5	4	504-346
	K3	Sheave	ø57/12-13	1	504-324	ø70/14-16	1	504-333
	K4	Bushing	ø12/10-14,5	1	306-543	ø14/10-17,5	1	306-544
	K5	Clevis pin	ø10x22	2	165-202	ø10x28	2	165-203
	K6	Washer	–	–	–	ø20/10-2	2	164-004
	K7	Split pin	ø2,5x16	2	301-048	2,5x16	2	301-048
	K10	Braid line – Blue Eye, Braid line	ø10	1	611-011 611-011-92	ø12	1	611-015 611-015-92
	K11	Heat shrink	ø19/6-60	1	319-560	ø19/6-80	1	319-560
	K12	Shackle	M6x13x25	1	307-020 ¹⁾	M6x13x25	1	307-020 ¹⁾
	K13	Block	R 501	1	538-923 ²⁾	R 601	1	538-900 ²⁾
	K14	Shackle	M5x15x24	1	307-010 ²⁾	M6x13x25	1	307-020 ²⁾
	K15	Braid line – Blue	ø10	1	611-011	ø12	1	611-015
	Portside		Assembly number →			538-854-01	Assembly number →	
K9		Block – Portside	140-120	1	538-854	175x160	1	538-856
K2		Wheel	ø14/8-8,5	4	504-346	ø14/8-8,5	4	504-346
K3		Sheave	ø57/12-13	1	504-324	ø70/14-16	1	504-333
K4		Bushing	ø12/10-14,5	1	306-543	ø14/10-17,5	1	306-544
K5		Clevis pin	ø10x22	2	165-202	ø10x28	2	165-203
K6		Washer	–	–	–	ø20/10-2	2	164-004
K7		Split pin	ø2,5x16	2	301-048	2,5x16	2	301-048
K10		Braid line – Red Eye, Braid line	ø10	1	611-010 611-010-92	ø12	1	611-014 611-014-92
K11		Heat shrink	ø19/6-60	1	319-560	ø19/6-80	1	319-560
K12		Shackle	M6x13x25	1	307-020 ¹⁾	M6x13x25	1	307-020 ¹⁾
K13		Block	R 501	1	538-923 ²⁾	R 601	1	538-900 ²⁾
K14		Shackle	M5x15x24	1	307-010 ²⁾	M6x13x25	1	307-020 ²⁾
K15		Braid line – Blue	ø10	1	611-010	ø12	1	611-014

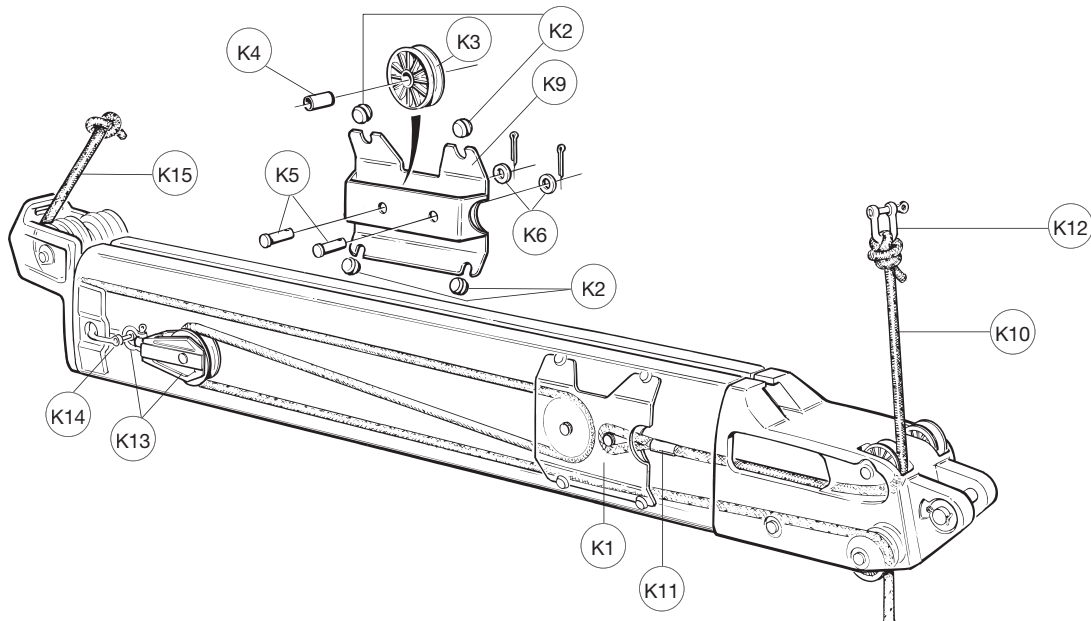
1) Block shackle K13 can also be used.

2) Replace block shackle K13 with K14.

Single line reef

		Boom dimension: 200/117			Boom dimension: 250/140			
Item	Description	Dimension	Qty	Part no.	Dimension	Qty	Part no.	
		Assembly number	→	538-857-01	Assembly number	→	538-859-01	
Starboard	K1	Block – Starboard	175-192	1	538-857	236x220	1	538-859
	K2	Wheel	ø14/8-8,5	4	504-346	ø20/12-11,5	4	504-347
	K3	Sheave	ø70/14-16	1	504-333	ø70/14-16	1	504-333
	K4	Bushing	ø14/10-17,5	1	306-544	ø14/10-17,5	1	306-544
	K5	Clevis pin	ø10x28	2	165-203	ø10x28	2	165-203
	K6	Washer	ø20/10-2	2	164-004	–	–	–
	K7	Split pin	ø2,5x16	2	301-048	ø2,5x16	2	301-048
	K10	Braid line – Blue Eye, Braid line	ø12	1	611-015 611-015-92	ø14	1	611-019 611-019-92
	K11	Heat shrink	ø19/6-80	1	319-560	ø19/6-100	1	319-560
	K12	Shackle	M8x16x32	1	307-021	M8x16x32	1	307-021
	K13	Block	R 601	1	538-900	R 801	1	538-950
	K14	Shakle	M6x13x25	1	307-020	M6x16x32	1	307-021
	K15	Braid line – Blue	ø12	1	611-015	ø14	1	611-019
			Assembly number	→	538-858-01	Assembly number	→	538-859-01
	Portside	K9	Block – Portside	175-192	1	538-858	236x220	1
K2		Wheel	ø14/8-8,5	4	504-346	ø20/12-11,5	4	504-347
K3		Sheave	ø70/14-16	1	504-333	ø70/14-16	1	504-333
K4		Bushing	ø14/10-17,5	1	306-544	ø14/10-17,5	1	306-544
K5		Clevis pin	ø10x28	2	165-203	ø10x28	2	165-203
K6		Washer	ø20/10-2	2	164-004	–	–	–
K7		Split pin	ø2,5x16	2	301-048	ø2,5x16	2	301-048
K10		Braid line – Red Eye, Braid line	ø12	1	611-014 611-014-92	ø14	1	611-018 611-018-92
K11		Heat shrink	ø19/6-80	1	319-560	ø19/6-100	1	319-560
K12		Shackle	M8x16x32	1	307-021	M8x16x32	1	307-021
K13		Block	R 601	1	538-900	R 801	1	538-950
K14		Shackle	M6x13x25	1	307-020	M8x16x32	1	307-021
K15		Braid line – Red	ø12	1	611-010	ø14	1	611-018

- 1) Block shackle K11 can also be used.
- 2) Replace block shackle K11 with K12.



DINGHIESKEELBOATSYACHTS

Seldén Mast AB, Sweden
Tel +46 (0)31 69 69 00
Fax +46 (0)31 29 71 37
e-mail info@seldenmast.com

Seldén Mast Limited, UK
Tel +44 (0) 1329 504000
Fax +44 (0) 1329 504049
e-mail info@seldenmast.co.uk

Seldén Mast Inc., USA
Tel +1 843-760-6278
Fax +1 843-760-1220
e-mail info@seldenus.com

Seldén Mast A/S, DK
Tel +45 39 18 44 00
Fax +45 39 27 17 00
e-mail info@seldenmast.dk

Seldén Mid Europe B.V., NL
Tel +31 (0) 111-698 120
Fax +31 (0) 111-698 130
e-mail info@seldenmast.nl

Seldén Mast SAS, FR
Tel +33 (0) 251 362 110
Fax +33 (0) 251 362 185
e-mail info@seldenmast.fr

www.seldenmast.com

Dealer:

The Seldén Group is the world's leading manufacturer of masts and rigging systems in carbon and aluminium for dinghies, keelboats and yachts. The Group consists of Seldén Mast AB in Sweden, Seldén Mast A/S in Denmark, Seldén Mast Ltd in the UK, Seldén Mid Europe B.V. in the Netherlands, Seldén Mast SAS in France and Seldén Mast Inc in the USA. Our well known brands are Seldén and Furlex. The worldwide success of Furlex has enabled us to build a network of over 750 authorised dealers covering the world's marine markets. So wherever you sail, you can be sure of fast access to our service, spare parts and know-how.

