

FURLEX

SELDÉN

**Manual for assembly
and operation
Furlex 300 H & 400 H**



SELDÉN

Table of contents

	<i>Page</i>		<i>Page</i>
Product description	3	Fitting the Sail	24
Reefing system	4	Operation	
<i>Checklist</i>		<i>Unfurling the sail</i>	25
<i>Furlex packages</i>	5	<i>Furling the sail</i>	25
<i>Forestay</i>	6	<i>Reefing</i>	25
<i>Luff extrusion tube</i>	6	<i>Sail shape when reefed can be improved</i>	25
<i>Tools</i>	6	<i>Manual operation</i>	26
Calculations		Maintenance	
<i>Forestay wire length</i>	7	<i>Cleaning</i>	27
<i>Luff extrusion length</i>	7	<i>Greasing</i>	27
<i>Forestay length</i>	8	<i>Storage</i>	27
Installation		Dismantling	
<i>Forestay installation to deck</i>	9	<i>The drive unit</i>	28
<i>Forestay attachment – guiding principle</i>	10	<i>With forestay off the mast</i>	28
<i>Hydraulic motor</i>	11	<i>With forestay rigged</i>	28
<i>Through-Deck fitting</i>	11	<i>Forestay wire</i>	28
<i>Quick couplings</i>	11	<i>Luff extrusion system</i>	29
<i>Hydraulic hoses</i>	12	<i>The Hydraulic motor</i>	30
<i>Switch panel</i>	13	<i>Halyard swivel</i>	30
Assembly of the Furlex-system		The sail	
<i>Assembly of the luff section 300 H</i>	14	<i>Wire head pendant</i>	31
<i>Assembly of the luff section 400 H</i>	16	<i>Sample luff extrusion</i>	31
<i>Forestay wire</i>	18	Important points to remember	
<i>Rigging screw</i>	20	before sailing	32
<i>The drive unit</i>	21		
Halyard leads	22		
<i>Fitting the halyard leads</i>	23		
Rigging			
<i>Mast down</i>	23		
<i>Mast up</i>	23		
<i>Adjusting forestay length</i>	24		
<i>Tensioning the forestay</i>	24		

Product description

- Furlex Hydraulic is a hydraulically operated reefing and furling system for foresails. The design is based on Seldén's long experience of roller reefing, and is simple, reliable, and made for demanding conditions.
- Operation is controlled from the cockpit. The sail is fitted and rolled on to a luff foil with double luff grooves. The luff foil is turned by a hydraulic motor operated from the cockpit switch panel.
- Because rotating parts are mounted on ball bearings the sail is easily rolled in or out even under heavy load.
- The drive unit is basically a hydraulic motor driving a self-locking worm gear which holds the sail securely when reefed.
- A high degree of efficiency is assured through the patented design with large ball bearings and few moving parts.
- Two hydraulic hoses run from the motor to a through-deck fitting which has a by-pass valve. Quick couplings permit easy removal of the drive unit.
- We recommend an ecologically sound hydraulic oil for the system. This oil is biologically degradable and is not harmful to either people or the environment. Hydraulic fluid for filling and replenishment must be of the same type from the same manufacturer. Fluids from different manufacturers, even if they are in the same class and conform to the same international specification, must not be mixed. This also applies to different fluids within the same class from the same manufacturer. If fluids are mixed, the characteristics of the mixture are often poorer than either of the pure products.
- A standard winch handle can be used for manual operation.
- The forestay can be adjusted with a rigging-screw. Adjustment does not effect the height of the sail above deck. The rigging-screw is sited inside the drive unit holding tube, and is perfectly protected. It can be exposed by loosening and pushing the drive unit up the luff extrusion.
- The forestay goes right through the drive unit which is free from all forestay forces. Horizontal forces from the sail are taken up by a bushing inside the unit. The torque required for rolling in and holding the sail in reefed condition is taken up by the stem-head fitting.
- All components can easily be dismantled. Read and follow these instructions carefully, and we will guarantee you many years pleasurable use from your Furlex Hydraulic system.

Reefing system

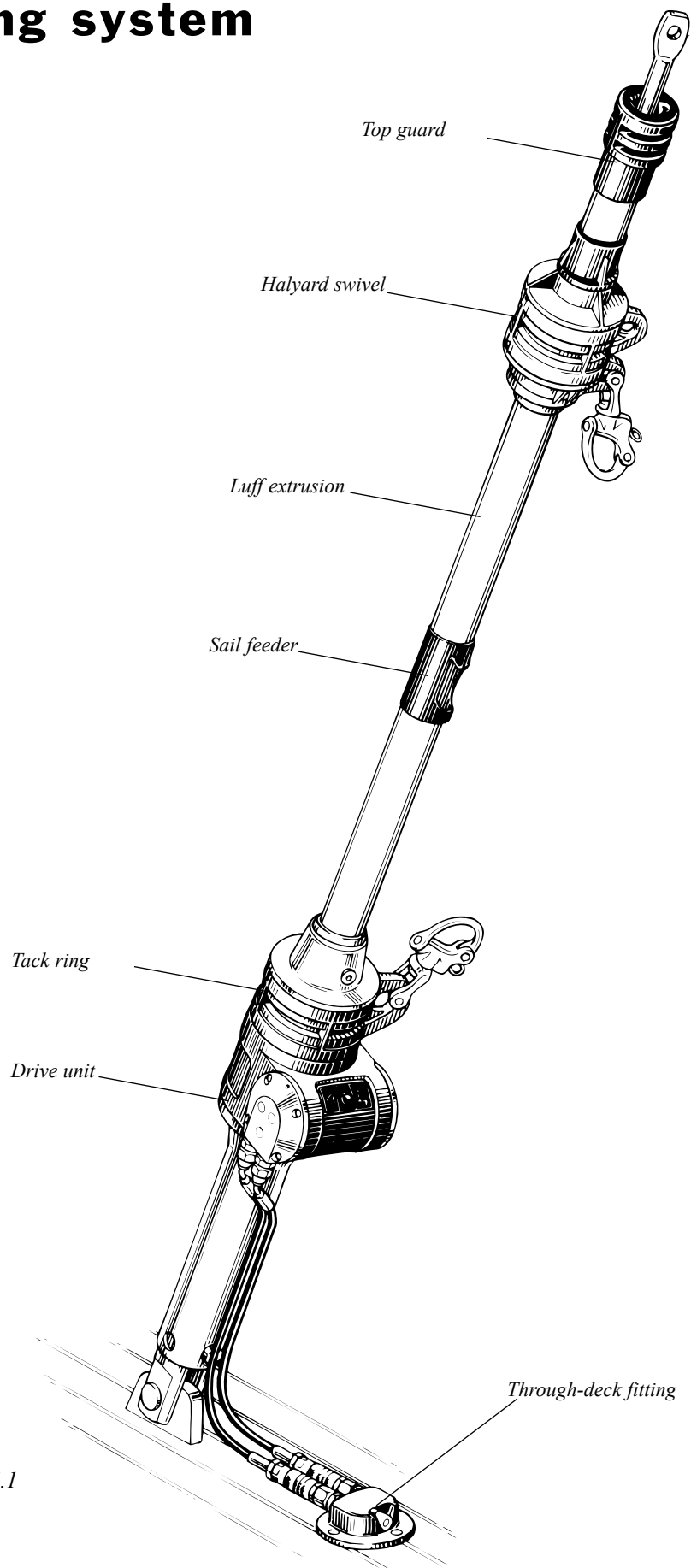
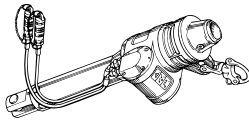
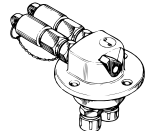

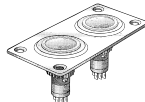
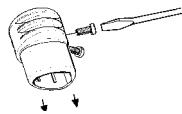
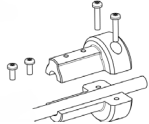



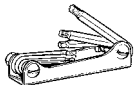
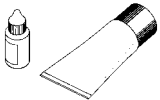



Fig. 4.1

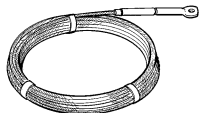
Checklist

Check that your set is complete.

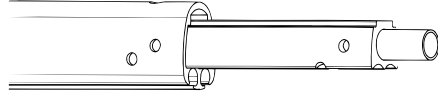
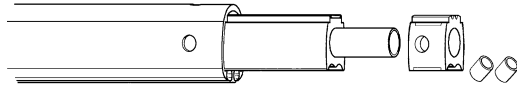
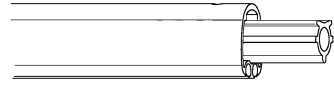
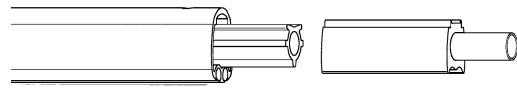
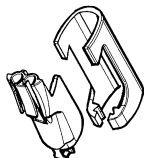
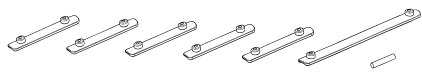
Furlex packages

<input type="checkbox"/> Drive unit c/w Tack hook, 1 off	
<input type="checkbox"/> Through-deck fitting, 1 off	
<input type="checkbox"/> Halyard swivel c/w snap-shackle, 1 off	
<input type="checkbox"/> Switch	
<input type="checkbox"/> Top guard c/w 2-4 screws, 1 off	
<input type="checkbox"/> Top guard 400H-Rod	
<input type="checkbox"/> Prefeeder 1 off	
<input type="checkbox"/> Halyard leads 508-128 c/w screws (6) and insulating pads, 2 off	
<input type="checkbox"/> Drill bit, Ø 5.3 mm, for fitting halyard fairleads, 1 off	
300 H <input type="checkbox"/> Torx-key	
<input type="checkbox"/> Locking adhesive <input type="checkbox"/> Lubricating grease	
<input type="checkbox"/> Instructions <input type="checkbox"/> Certificate of guarantee	

Forestay wire

<input type="checkbox"/> Forestay wire & bushing, 1 off	
---	---

Luff extrusion tube

<p>300 H:</p> <input type="checkbox"/> One 1000 mm (39 3/8") luff extrusion with long joining sleeve.	
<p>400 H:</p> <input type="checkbox"/> One 1000 mm (39 3/8") luff extrusion with long joining sleeve + bearing plug with bushes	
<p>300H:</p> <input type="checkbox"/> One 2000 mm (78 3/4") luff extrusion with distance tube. <p>400H:</p> <input type="checkbox"/> One 1700 mm (67") luff extrusion with distance tube	
<input type="checkbox"/> 5–8 off, 2400 mm (94 1/2") luff extrusions with distance tube + joining sleeve (number dependent on length ordered.)	
<input type="checkbox"/> Sail feeder (sail feeder + sailfeeder connector.)	
<input type="checkbox"/> One long connecting plate (for sail feeder) 1000 mm (39 3/8") luff extrusion. <input type="checkbox"/> One short connecting plate for each 2400 mm (94 1/2") luff extrusion <input type="checkbox"/> 300 H: One locking pin 3 x 25 (1/8" x 1") for 1000 mm (39 3/8") luff extrusion	

Tools

Tools needed for assembly:

Screwdriver
 Hacksaw
 2 adjustable spanners (one of smaller type, or No 16 fixed open ended)
 Channel-joint Pliers
 Adhesive tape
 File
 Marking pen, waterproof
 8 mm Allen Key (400 H)

Torx Key set (supplied with kit).
 Steel measuring tape (20 m) (60'7")
 Knife

For halyard leads:

Heavy-duty Philip's screwdriver
 Drill
 Drill bit Ø 5.3 mm (7/32")
 (included in package)

Calculations

1. Determine mast rake with fore and backstays tensioned.
2. Slacken off the backstay as much as possible. Use the genoa halyard to pull the masthead forward. Tie the halyard to the boat, do not use the snap-shackle. Remove the forestay without altering the setting of the rigging screw if fitted. Place the forestay on a smooth surface and measure its length (FL) with the steel measuring tape.
3. Note the forestay length (FL) in the following table. The correct wire length (WL) can then be calculated.
4. Measure the new wire from the centre of the hole in its end fitting. Mark off the length WL on the wire in such a way that it cannot be eradicated. Do NOT cut the wire yet.

Forestay wire length (see fig. 8.1)		Your stay	Example ø10 300 H						
FL	Old forestay length (FL) without tension, but including rigging screw (if any). (See fig. 8.1)		16.735						
T	Deduction for lower wire terminal (rigging screw 50% extended):: <table style="width: 100%; border: none;"> <tr> <td style="width: 50%;">300 H</td> <td style="width: 50%;">400 H</td> </tr> <tr> <td>Ø 8 mm wire: – 360 mm</td> <td>Ø 12 mm wire: – 490 mm</td> </tr> <tr> <td>Ø 10 mm wire: – 370 mm</td> <td>Ø 14 mm wire: – 490 mm</td> </tr> </table>	300 H	400 H	Ø 8 mm wire: – 360 mm	Ø 12 mm wire: – 490 mm	Ø 10 mm wire: – 370 mm	Ø 14 mm wire: – 490 mm	–	– 370
300 H	400 H								
Ø 8 mm wire: – 360 mm	Ø 12 mm wire: – 490 mm								
Ø 10 mm wire: – 370 mm	Ø 14 mm wire: – 490 mm								
	If a link or an extra toggle will be fitted then deduct its length from FL. Note: Any additional link or toggle must have a torsional strength (torque capacity) not less than the stem-head fitting requirement stated on page 9, second item.	–	–						
WL	Cut the new forestay wire at this length (WL, fig. 8:2)	=	= 16.365						
Luff extrusion length (see fig. 8.2)		Your profile	Example ø10 300 H						
WL	New forestay wire length as per table above		16.365						
A + B	Standard deduction (A + B): <table style="width: 100%; border: none;"> <tr> <td style="width: 50%;">300 H</td> <td style="width: 50%;">400 H</td> </tr> <tr> <td>Ø 8 mm wire: – 1300 mm</td> <td>Ø 12 mm wire: – 1350 mm</td> </tr> <tr> <td>Ø 10 mm wire: – 1290 mm</td> <td>Ø 14 mm wire: – 1350 mm</td> </tr> </table>	300 H	400 H	Ø 8 mm wire: – 1300 mm	Ø 12 mm wire: – 1350 mm	Ø 10 mm wire: – 1290 mm	Ø 14 mm wire: – 1350 mm	–	– 1.290
300 H	400 H								
Ø 8 mm wire: – 1300 mm	Ø 12 mm wire: – 1350 mm								
Ø 10 mm wire: – 1290 mm	Ø 14 mm wire: – 1350 mm								
E + F	E + F =	=	= 15.075						
E	Max. number of 2400 mm extrusions which together are shorter than E + F:off x 2400 mm = E	E =	(6 profiles) – 14.400						
F	Cut the top extrusion. Chamfer the cut end with a file. <div style="text-align: right; margin-right: 20px;">Top extrusion length F =</div> <table border="1" style="width: 100%; border-collapse: collapse;"> <tr> <td style="width: 30%; padding: 5px;"> 300 H Ø 8 mm wire/ Ø 10 mm ø wire </td> <td style="padding: 5px;"> Cut the top section from a 2400 mm extrusion. Cut the top section from a 2000 mm extrusion. Replace the topmost 2400 mm extrusion with a 2000 mm extrusion. (See E). The joint will then be moved down 400 mm. Also adjust E and F as follows: Reduce measurement E by 400 mm. Increase the F measurement by 400 mm. Cut the top section from a 2400 mm extrusion. </td> </tr> <tr> <td style="padding: 5px;"> 400 H Ø 12 mm wire/ Ø 14 mm ø wire </td> <td style="padding: 5px;"> The top extrusion is normally cut from the 1700 mm (67"). If the top extrusion is shorter than 700 mm (27 9/16") the joint will be too near the top. In this case replace the uppermost full-length 2400 mm extrusion with the 1700 mm extrusion. In this way the joint is moved 700 mm down the stay. Adjust the E and F measurements as follows: Reduce the E measurement by 700 mm. Increase the F measurement by 700 mm. </td> </tr> </table>	300 H Ø 8 mm wire/ Ø 10 mm ø wire	Cut the top section from a 2400 mm extrusion. Cut the top section from a 2000 mm extrusion. Replace the topmost 2400 mm extrusion with a 2000 mm extrusion. (See E). The joint will then be moved down 400 mm. Also adjust E and F as follows: Reduce measurement E by 400 mm. Increase the F measurement by 400 mm. Cut the top section from a 2400 mm extrusion.	400 H Ø 12 mm wire/ Ø 14 mm ø wire	The top extrusion is normally cut from the 1700 mm (67"). If the top extrusion is shorter than 700 mm (27 9/16") the joint will be too near the top. In this case replace the uppermost full-length 2400 mm extrusion with the 1700 mm extrusion. In this way the joint is moved 700 mm down the stay. Adjust the E and F measurements as follows: Reduce the E measurement by 700 mm. Increase the F measurement by 700 mm.	=	= 675		
300 H Ø 8 mm wire/ Ø 10 mm ø wire	Cut the top section from a 2400 mm extrusion. Cut the top section from a 2000 mm extrusion. Replace the topmost 2400 mm extrusion with a 2000 mm extrusion. (See E). The joint will then be moved down 400 mm. Also adjust E and F as follows: Reduce measurement E by 400 mm. Increase the F measurement by 400 mm. Cut the top section from a 2400 mm extrusion.								
400 H Ø 12 mm wire/ Ø 14 mm ø wire	The top extrusion is normally cut from the 1700 mm (67"). If the top extrusion is shorter than 700 mm (27 9/16") the joint will be too near the top. In this case replace the uppermost full-length 2400 mm extrusion with the 1700 mm extrusion. In this way the joint is moved 700 mm down the stay. Adjust the E and F measurements as follows: Reduce the E measurement by 700 mm. Increase the F measurement by 700 mm.								
G	Shorten the distance tube for the top extrusion: (fixed measurement) <table style="width: 100%; border: none;"> <tr> <td style="width: 50%;">300 H</td> <td style="width: 50%;">400 H</td> </tr> <tr> <td>Ø 8 mm wire: – 380 mm</td> <td>Ø 12 mm wire: – 490 mm</td> </tr> <tr> <td>Ø 10 mm wire: – 400 mm</td> <td>Ø 14 mm wire: – 490 mm</td> </tr> </table>	300 H	400 H	Ø 8 mm wire: – 380 mm	Ø 12 mm wire: – 490 mm	Ø 10 mm wire: – 400 mm	Ø 14 mm wire: – 490 mm	–	– 400
300 H	400 H								
Ø 8 mm wire: – 380 mm	Ø 12 mm wire: – 490 mm								
Ø 10 mm wire: – 400 mm	Ø 14 mm wire: – 490 mm								
	Distance tube length. G =	=	= 275						



Note! Use caution when opening the roll of wire.

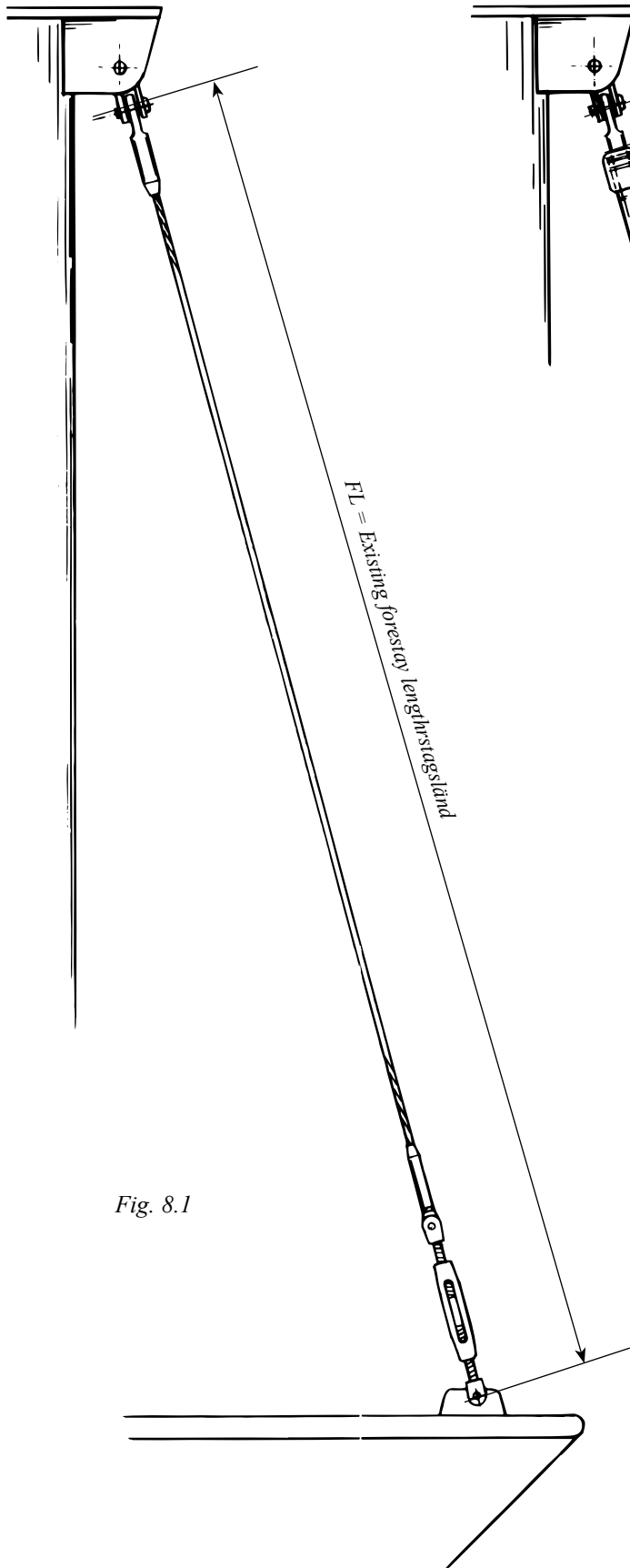


Fig. 8.1

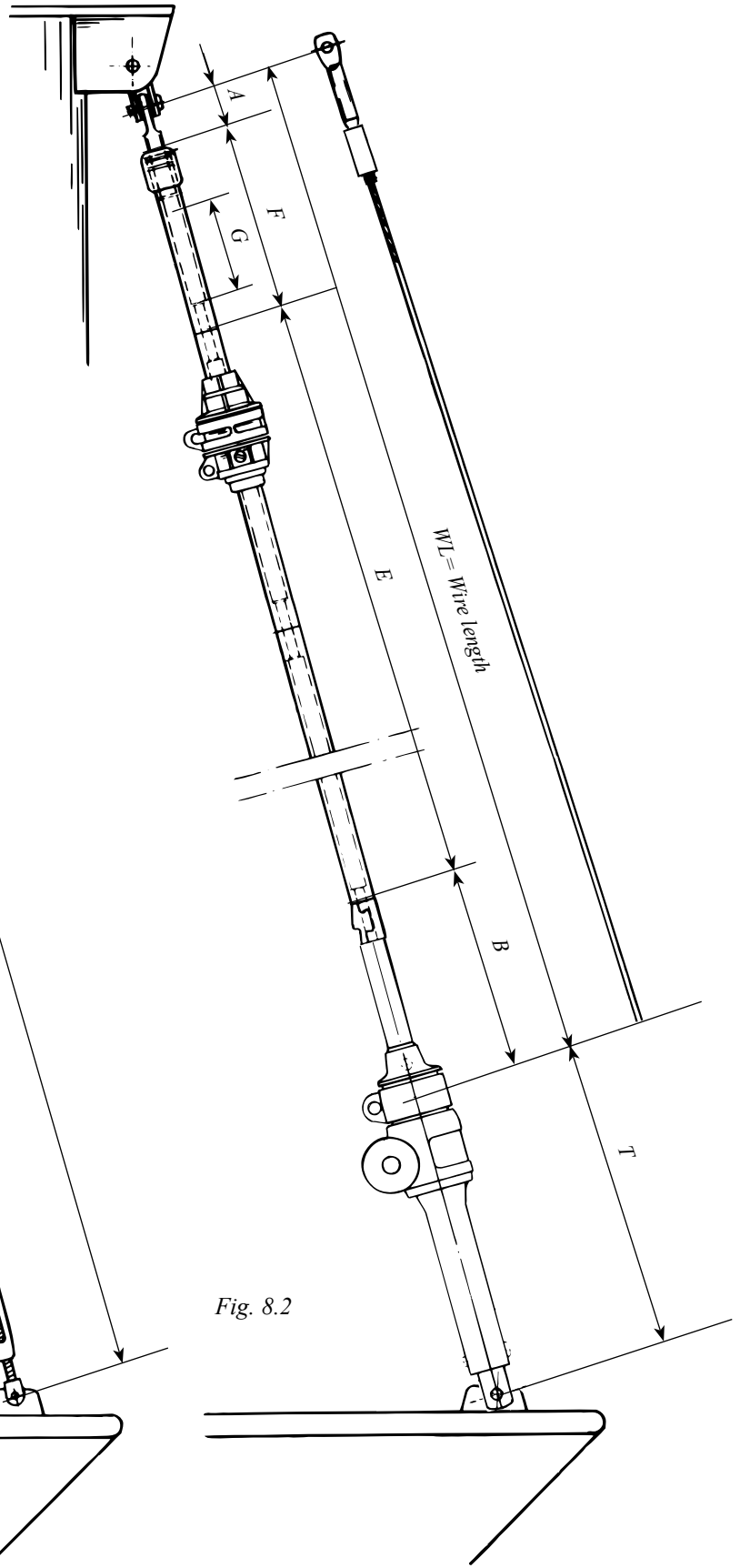


Fig. 8.2

Installation

Forestay installation to deck

1. The forestay is fitted with a stout torsion-resistant lower toggle (see fig. 9.2). This is attached to the stem-head fitting. The toggle can be fitted either athwardships or fore-and-aft.
2. Check that the stem-head fitting and the toggle are suited (see table below). The stem-head fitting must be able to withstand a torque of 330 Nm for 300 H, or 725 Nm for 400 H. (Maximum working load).
3. Check that the drive unit goes free of the pulpit, bow anchor, or other deck equipment. (See fig. 9.1 and the table.)

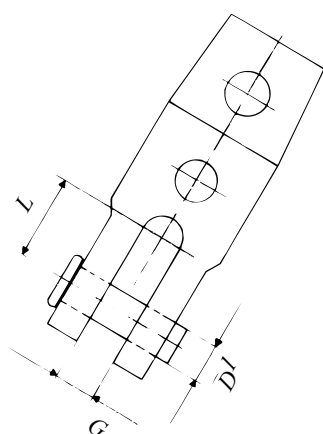
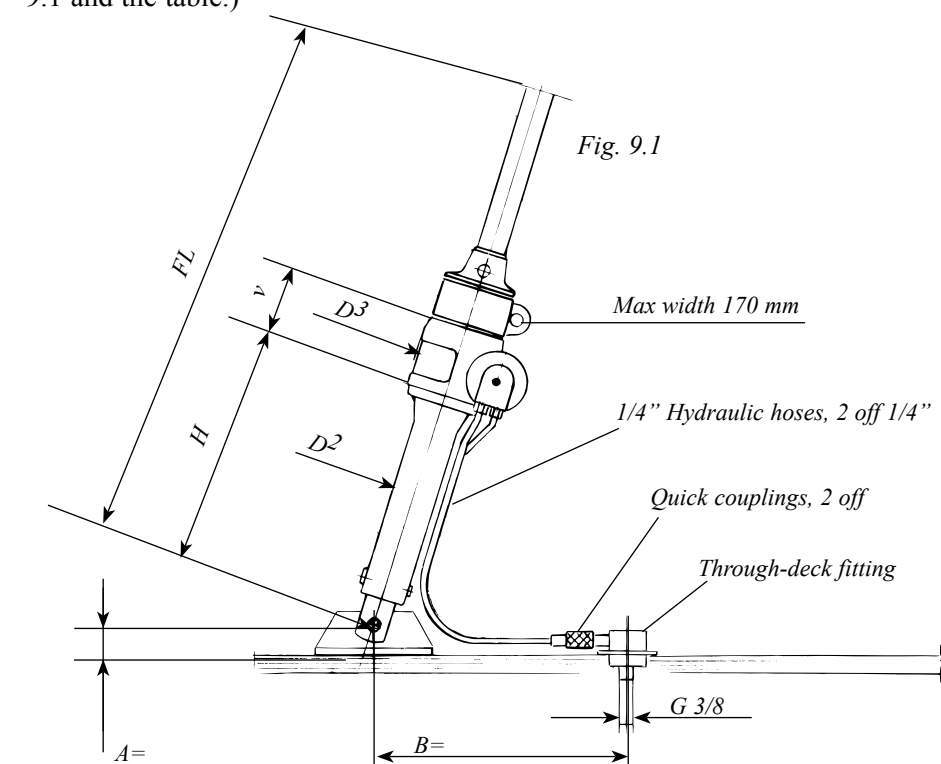


Fig. 9.2

All measurements in millimetres

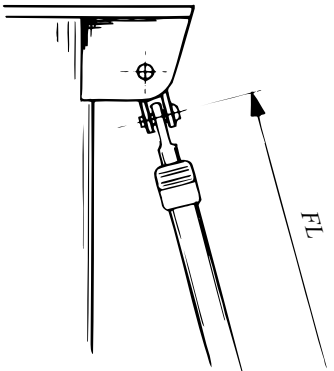
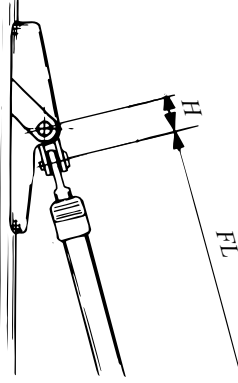
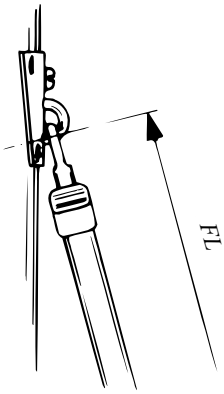
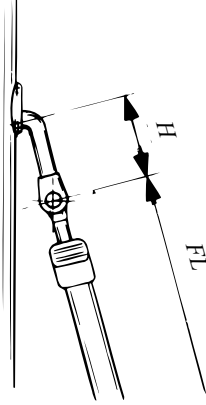
Wire	Ø D ¹	G	L	Ø D ²	Ø D ³	H	V
8	14	15	30	57	126	298	112
10	14	15	30	57	126	298	112
12	19	19	35	76	136	398	112
12	22	23	40	76	136	403	120

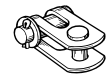
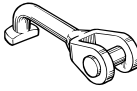
4. Protect the hydraulic hoses an through-deck fitting from the anchor chain.
5. Siting of the through-deck fitting is to your choice. Send measurements A and B to Seldén Mast AB or your dealer. We will then make up the two hydraulic hoses for the motor. See fig. 11.1 for the through-deck fitting dimensions. A Ø 60 mm hole through the deck is required.

Forestay attachment - guiding principle

Mast attachment

Some Seldén forestay attachment options are shown below, illustrating the rules and exceptions. The guiding principle is that the forestay connections should allow sufficient articulation in all directions. In most cases a toggle should be fitted between the Furlex stay and the forestay attachments.

<p><i>Fig. 10.1</i></p>  <p>Forestay attachment on masthead rigs: Always connect the stay with a toggle to give full articulation.</p>	<p><i>Fig. 10.2</i></p>  <p>Forestay attachment on fractional rigs, Seldén type: 505-018 \varnothing 6 & 7 mm wire: Connect with an eye/fork-toggle. 505-020 \varnothing 8 & 10 mm wire: Connect to existing toggle.</p>
<p><i>Fig. 10.3</i></p>  <p>Forestay attachment, Seldén type: O-35 (517-905) & O-50 (517-911) Connect directly to fitting.</p>	<p><i>Fig. 10.4</i></p>  <p>Forestay attachment "T-terminal" type: Fit a T/fork toggle according to the table.</p>

Wire dimension/ Toggle		\varnothing 8 mm	\varnothing 10 mm	\varnothing 12 mm	\varnothing 14 mm
Fork/fork-toggle		517-048-02 H = 50	517-051-02 H = 55	517-52-02 H = 65	517-053-02 H = 80
T/Fork-toggle		174-124 H = 100			

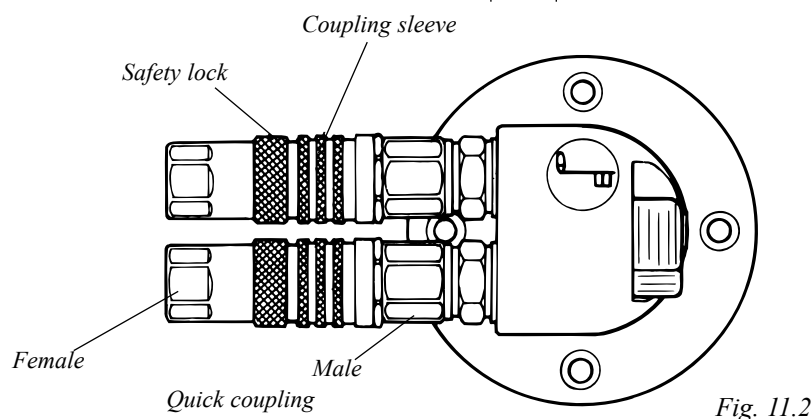
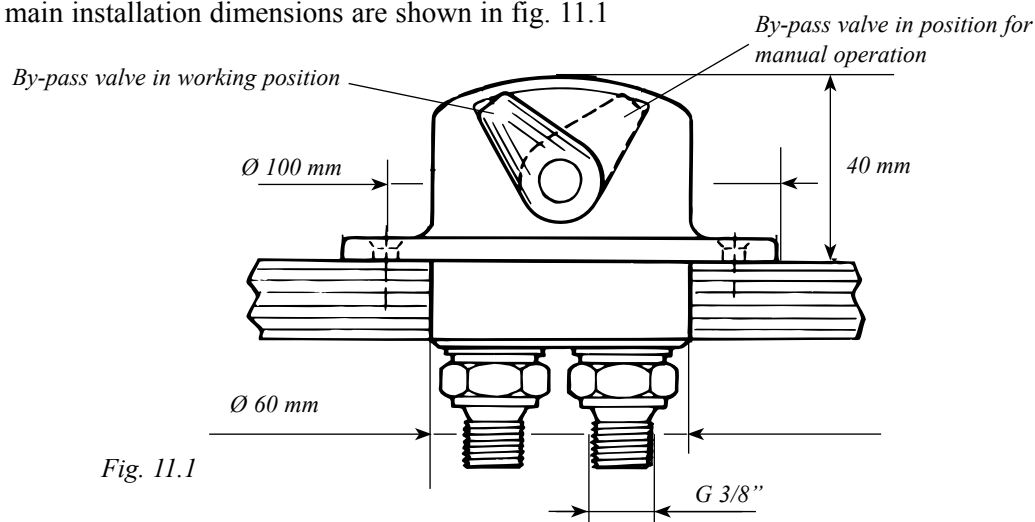
Installation

Hydraulic motor

- The drive unit and hydraulic motor are tested before delivery.
- The hydraulic motor is a Danfoss OML 12,5 cm³/revolution or a OML 20 cm³/revolution. Maximum recommended pressure (p): 140 bar.
- The oil flow (Q) gives at 10 litres/min (OML 12,5) or 20 litres/min (OML 20) a nominal speed (n) of 40 rpm. The normal working pressure when reefing or unfurling is 40 bar when Q is 10 litres/min (OML 12,5) or 19 litres/min (OML 20).
- A 24 volt hydraulic pump with an effect (P) of 1,5 kW (OML 12,5) or 3 kW (OML 20) is usually sufficient. The advantages of 24 volt compared to 12 volt are many. For example, the amperage is lowered by half at a given effect which means greater safety, thinner cables and lower power loss. More about the above is available in leaflet 595-752-E, which can be provided by your Seldén dealer.

Through-Deck fitting

The main installation dimensions are shown in fig. 11.1



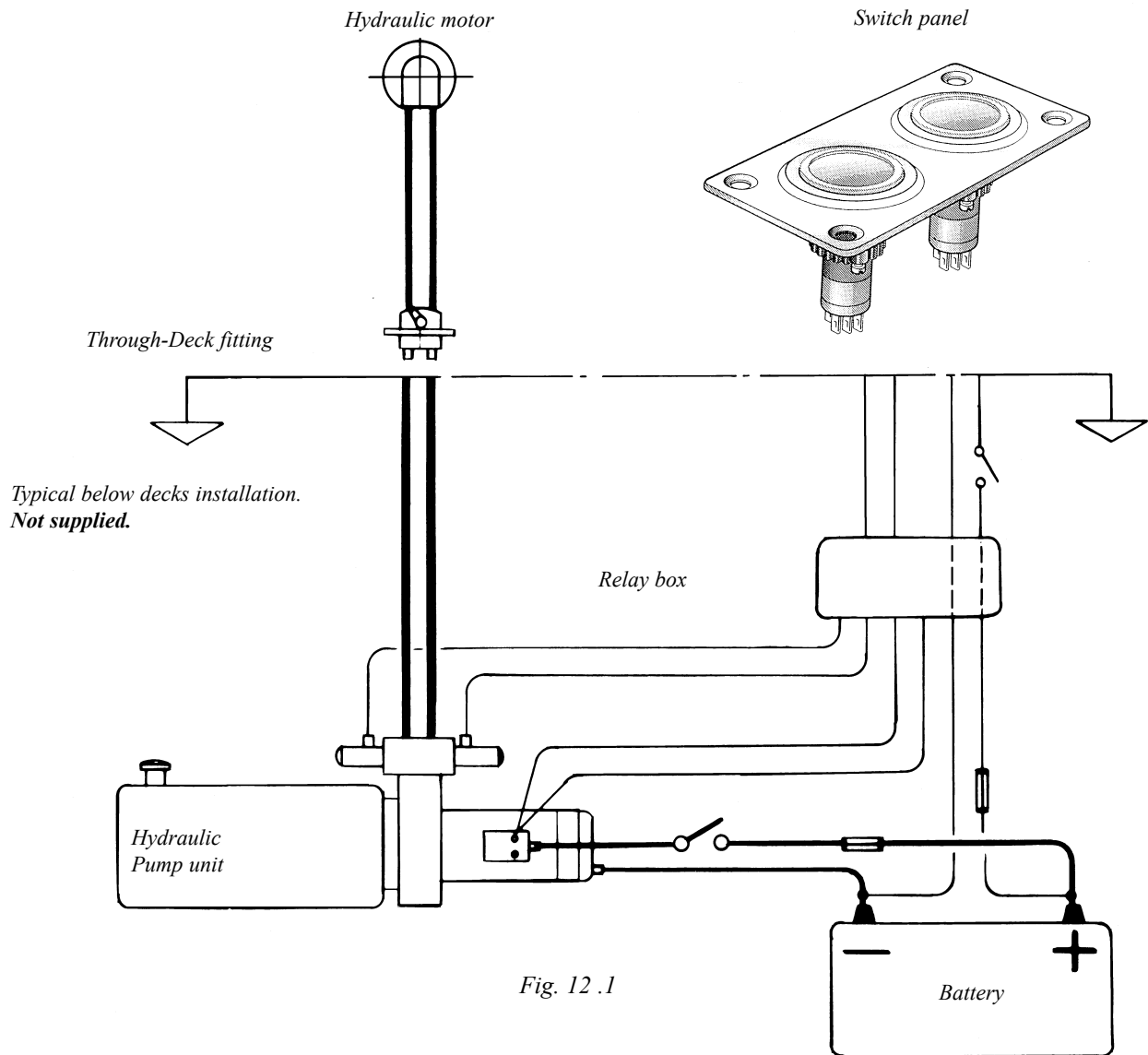
Quick couplings

The quick couplings (fig. 11.2) are disconnected by pushing the knurled coupling sleeves out from the coupling. The coupling sleeves have *safety locks* to guard against involuntary disconnection. These are freed by twisting the locking rings until they release.

Always check that the quick couplings are locked!

Hydraulic hoses

1. Hydraulic hoses for installation below deck are not supplied. (See fig. 12.1)
2. Connecting threads are G 3/8. (See fig. 11.1)
3. Use hydraulic hoses of good quality corresponding to SAE 100R/-ISO3949. Minimum dimension 3/8". Minimum working pressure 140 bar. Minimum recommended bending radius 150 mm (6").

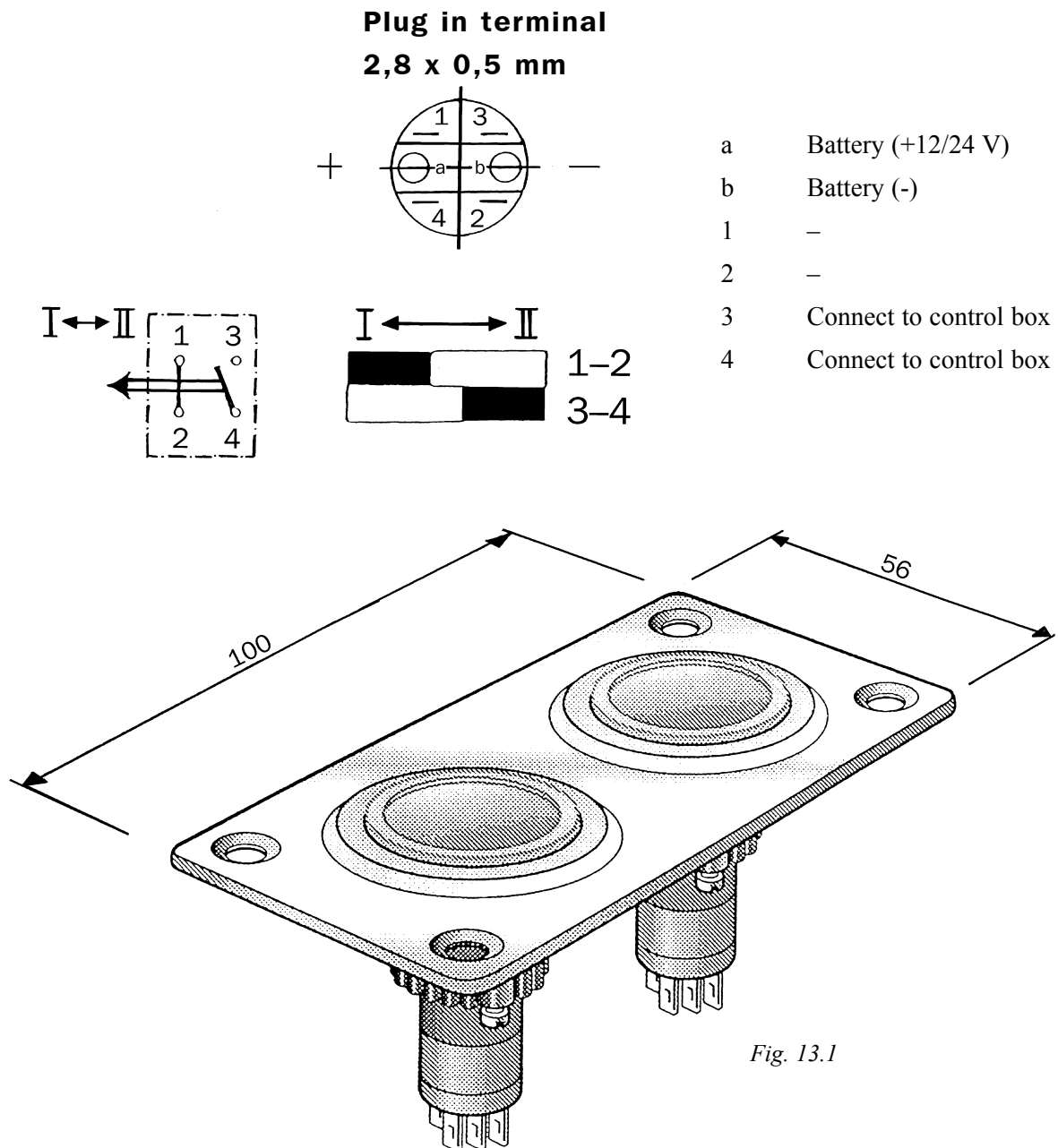


Important! Blow through all new hoses with compressed air to clean them from possible dust and dirt before fitting. Check the system very thoroughly during assembly to ensure that no impurities are present. When disconnecting the quick coupling, always apply the protective covers and sleeves supplied.

Put suitable marks on the hoses where they connect to the quick couplings. If they are crossed over the operation of the hydraulic motor will be reversed.

Switch panel

The switch panel is watertight and can be fitted in any suitable place in the cockpit.



Checks!

1. When installation has been completed, press the *Reefing switch* and confirm that the *luff extrusion* rotates *anti-clockwise*.
2. Then press the *Unfurling switch* and confirm that the *luff extrusion* rotates *clockwise*. Change the yellow and green leads over if this is not the case.
3. Alternatively, cross the hydraulic hoses over.

Assembly of the Furlex system

Assembly of the luff section, 300 H

Assembly should be carried out on a horizontal surface. Connect the luff extrusions one by one as follows:

1.

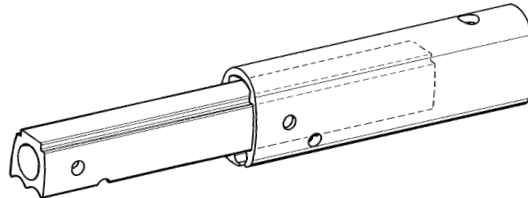


Fig. 14.1

The long joining sleeve must be in the 1000 mm (39 3/8") luff extrusion when commencing assembly.

2.

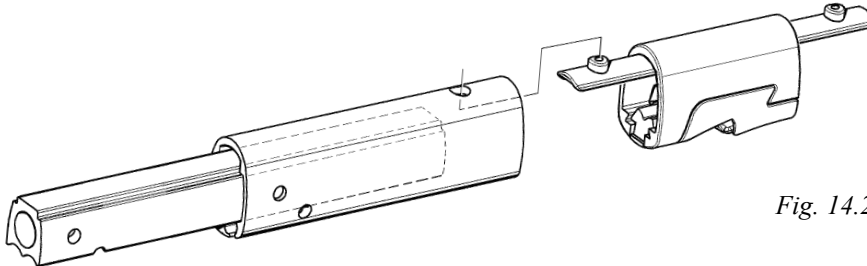


Fig. 14.2

Fit the long connecting plate at the same time as the sail feeder as shown in the diagram. Push the joining sleeve up so that it is flush with the top edge of the sail feeder.

3.

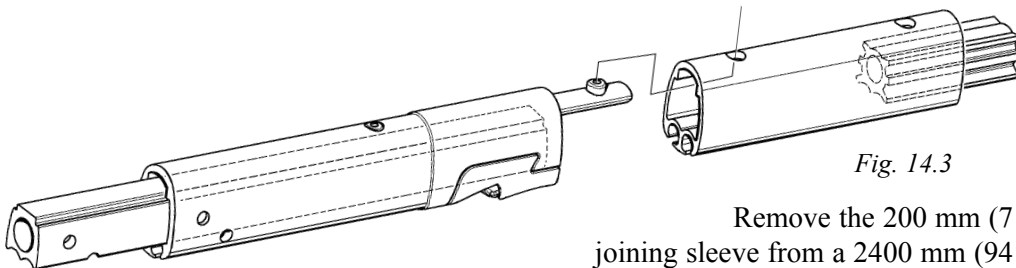


Fig. 14.3

Remove the 200 mm (7 3/8") joining sleeve from a 2400 mm (94 1/2") extrusion (this joining sleeve is to be used later for the 2000 mm (78 3/4") extrusion). Connect the 2400 mm (94 1/2") extrusion to the 1000 mm (39 3/8") extrusion. Push the long joining sleeve of the 1000 mm (39 3/8") extrusion into the 2400 mm (94 1/2") extrusion until it lies flush with the lower edge of the 1000 mm (39 3/8") extrusion.

4.

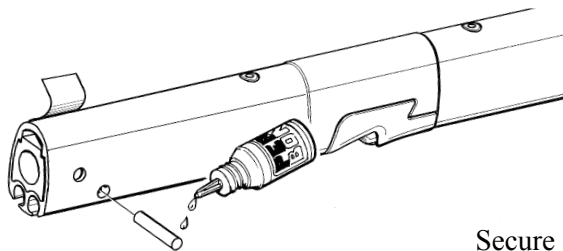


Fig. 14.4

Insert the locking pin together with the locking adhesive.

Secure the pin with a piece of adhesive tape.

(The tape is removed when the lower bearing assembly is slid on.)

Note: Do not allow locking adhesive to come into contact with your skin!

5.

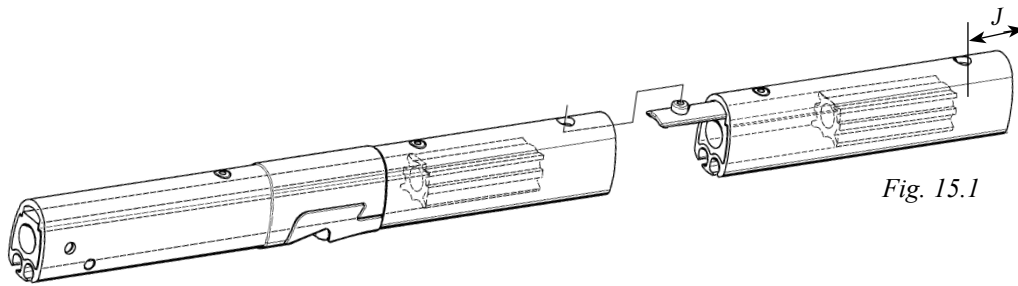


Fig. 15.1

Fit a joining sleeve into the next 2400 mm (94 1/2") extrusion together with a connecting plate. Connect this to the lower extrusions. Using a spare joining sleeve, push in the distance tube from the top until the lower joining sleeve touches the distance tube below the join. Check that the distance (J) between the end of the distance tube and the end of the extrusion is approximately half the length of a joining sleeve.

6.

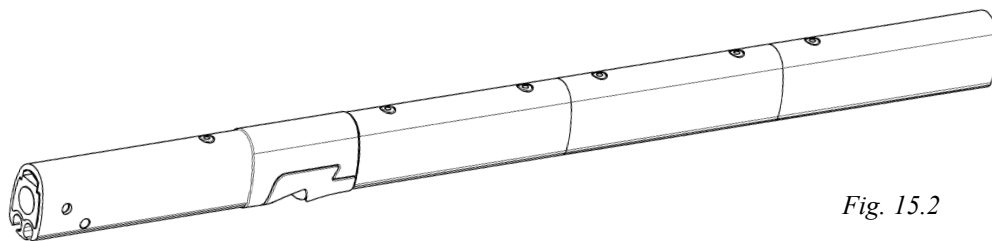


Fig. 15.2

Connect the remaining extrusions according to "Table 2" (see page 7).

7.

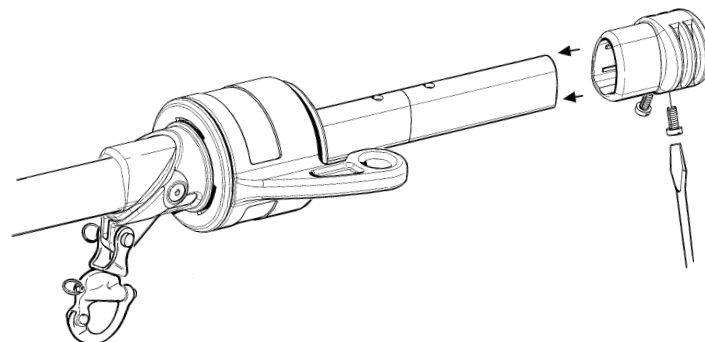


Fig. 15.3

Fit the halyard swivel over the top end of the extrusion, slide it down as far as the sail feeder and secure it in this position with adhesive tape. Fit the top guard and secure it with the two pre-fitted screws. Tighten the screws until they bottom, but do not over-tighten.

Assembly of the Furlex system

Assembly of the luff section, 400 H

Assembly should be carried out on a horizontal surface. Connect the luff extrusions one by one as follows:

1.

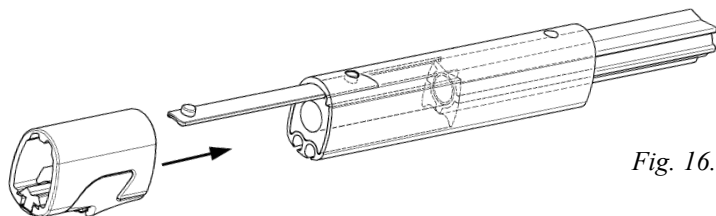


Fig. 16.1

Fit the long joining sleeve at the same time as the long connecting plate into a 2400 mm (94 1/2") luff extrusion and guide the sail feeder on.

2.

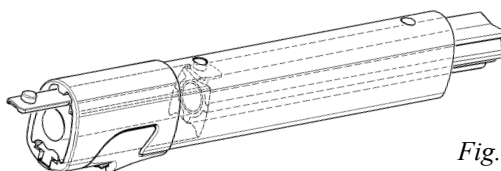


Fig. 16.2

Insert a distance tube (L = 2100 mm (82 11/16")) and push the joining sleeve until it lies flush with the lower edge of the sail feeder.

3.

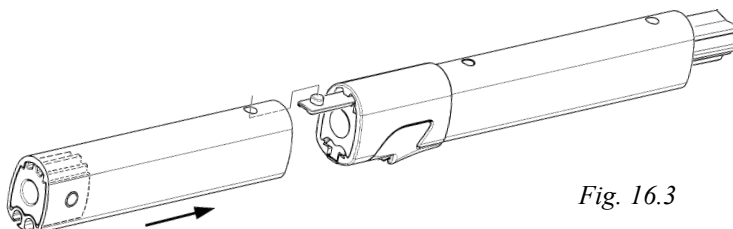


Fig. 16.3

Fit the 1000 mm (39 3/8") luff extrusion onto the connecting plate.

4.

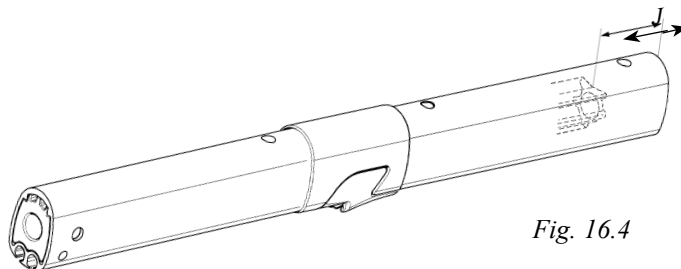


Fig. 16.4

Push the distance tube until the long joining sleeve touches the 1000 mm (39 3/8") luff extrusion. Use a short joining sleeve to push the distance tube down the last part of the way. Check that the distance (J) between the end of the distance tube and the end of the extrusion is approximately half the length of the joining sleeve.

5.

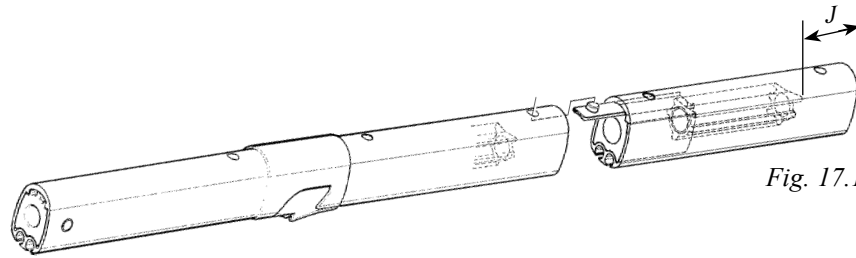


Fig. 17.1

Fit a joining sleeve into the next 2400 mm (94 1/2") extrusion together with a connecting plate. Connect this to the lower extrusions. Using a spare joining sleeve, push in the distance tube from the top until the lower joining sleeve touches the distance tube below the join. Check that the distance (J) between the end of the distance tube and the end of the extrusion is approximately half the length of a joining sleeve.

6.

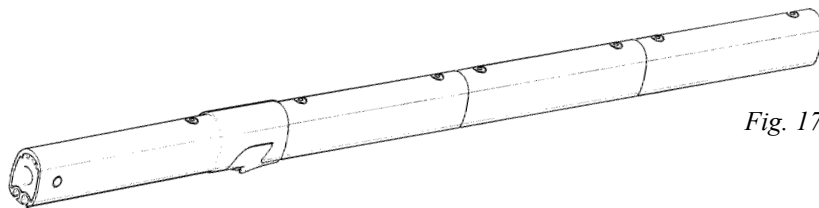


Fig. 17.2

Connect the remaining extrusions according to "Table 2" (see page 7).

7.

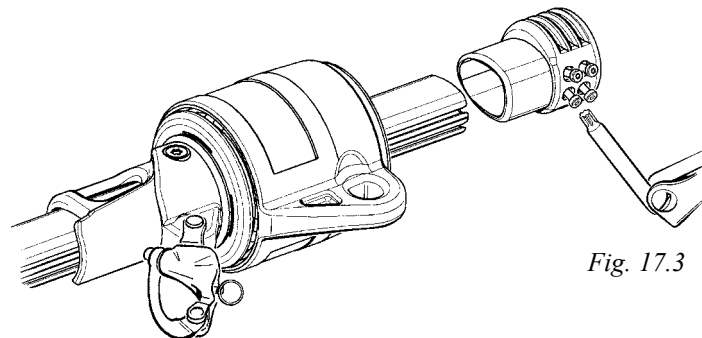


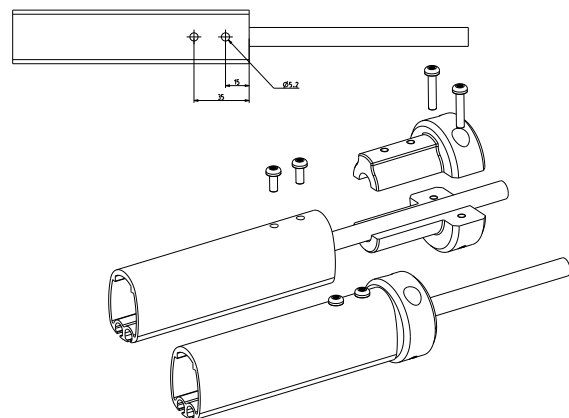
Fig. 17.3 400 H

Fit the halyard swivel over the top end of the extrusion, slide it down as far as the sail feeder and secure it in this position with adhesive tape. Fit the top guard and secure it with the four pre-fitted screws. Tighten the screws until they bottom, but do not over-tighten.

8.

400H-Rod

1. Fit the halyard swivel and slide it down to the sail feeder and secure it with tape.
2. Mark out and drill two clearance holes in the forward end of the luff extrusion as shown. Be careful not damaging the forestay.
3. Fit the two top guard halves over the forestay and screw them together. Use locking adhesive on screws.
4. Insert the assembled top guard into the luff extrusion and secure it with the two screws. Use locking adhesive.



Forestay wire

1. Chamfer the wire end slightly with a file.
2. Thread the wire through from the top. Should the wire snag inside the extrusions twist it anticlockwise past the obstruction.
3. Apply tape tightly to both sides of the cutting mark and cut the wire.
4. Slide the drive unit over the 1000 mm extrusion from below.

5.

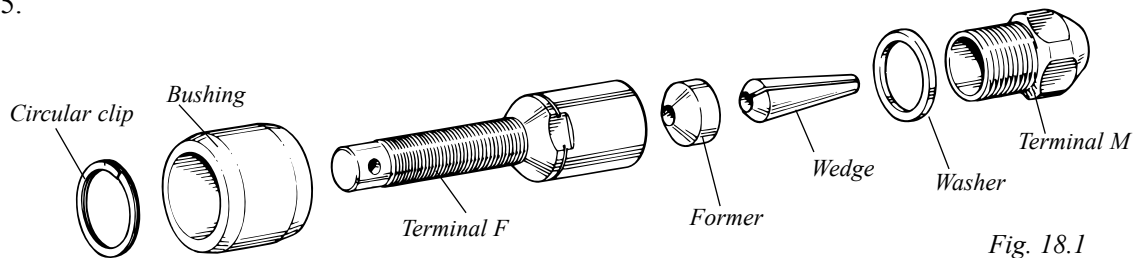


Fig. 18.1

Dismantle the rigging screw wire terminal.

6.

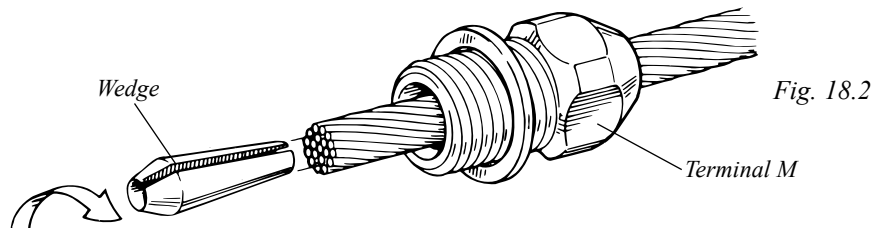


Fig. 18.2

Thread the Terminal M piece with washer over the wire. twist the wedge on to the wire core. Twist the outer strands correctly over the wedge (anti-clockwise seen from below).

7.

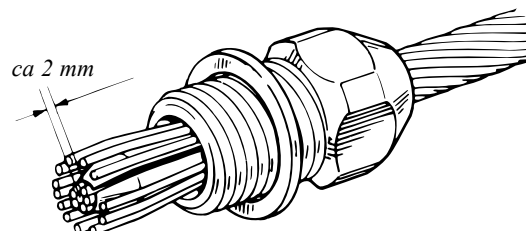


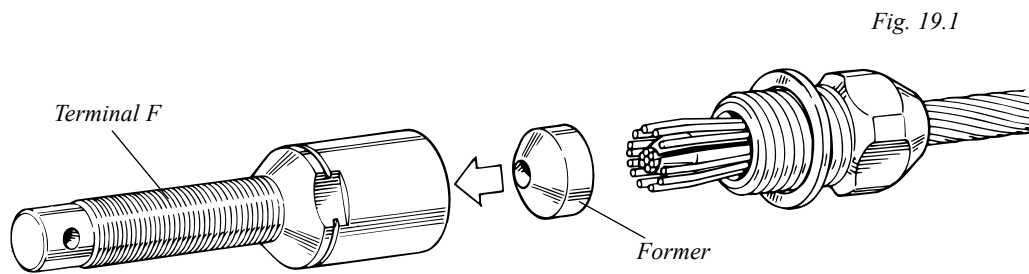
Fig. 18.3

Push the wire with wedge down into Terminal M, ensuring that the wire strands are held evenly spread around the wedge. The wire core should protrude about 2 mm from the wedge. Tap the wedge lightly so that the outer strands become properly wedged. Bend the outer strands inwards slightly with the channel-joint pliers.



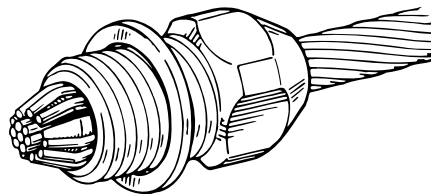
Check again that no strands lie in the wedge slot.

8.



Place the former in the Terminal F piece and screw the terminal together so that the strands become formed between the wedge and the former. Avoid damaging the surface of the female terminal piece with your spanner.

9.

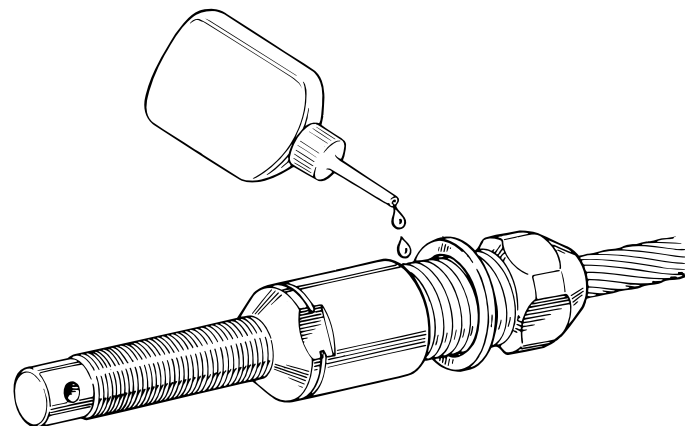


Undo the terminal again and check that the strands are evenly spread. Any strands that may have crossed each other must be separated.



Check again that no strands lie in the wedge slot.

10.

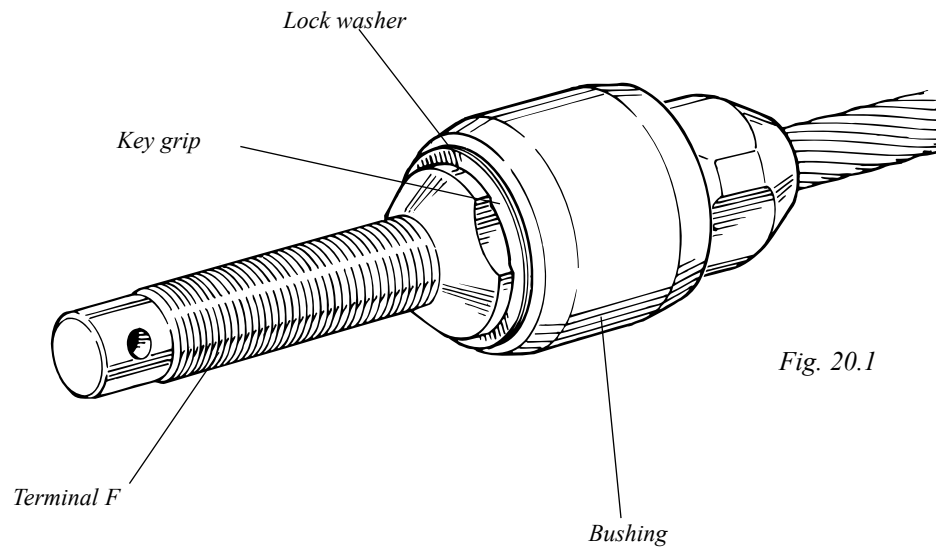


Put a few drops of locking adhesive on the threads and screw the terminal together. Tighten hard – this is a permanent fitting.



Note! Avoid getting locking adhesive on your skin.

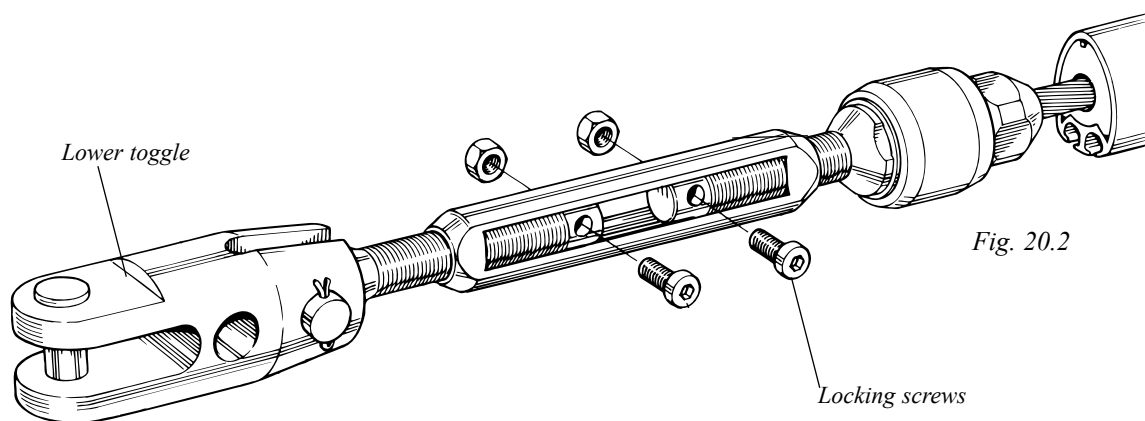
11.



Any sharp edges in the Terminal F piece caused by spanner damage should be filed down. Fit the bushing and circular clip. Check that the bushing rotates freely and that the circular clip is properly bedded.

Rigging screw

12.



Assemble the rigging screw and lower toggle. Fully extend the rigging screw to facilitate rigging. Temporarily fit the locking screws.

The drive unit

13.

Push down the drive unit. Join it to the lower toggle with the clevis pin. The luff extrusion is fastened to the drive unit with two stop screws. Be careful to see that the stop screws are correctly sited in the pre-drilled holes in the extrusion. An alignment mark on the extrusion just above the drive unit facilitates correct assembly.

Apply 2 or 3 drops of locking adhesive to the screw threads. Tighten the stop screws hard down.

The luff extrusion, forestay wire, drive unit, and halyard swivel are now a complete unit ready for rigging.

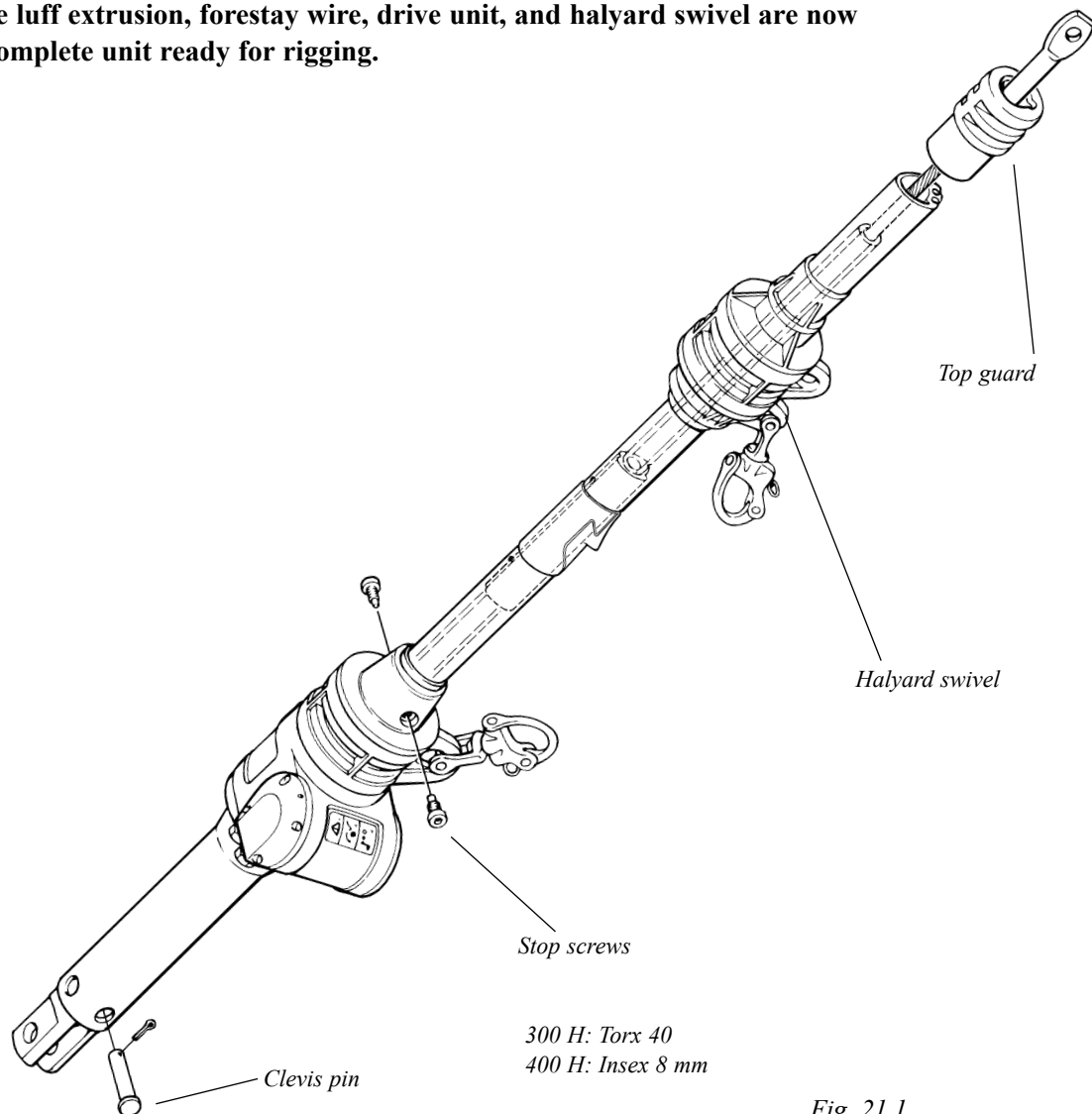


Fig. 21.1

Halyard leads

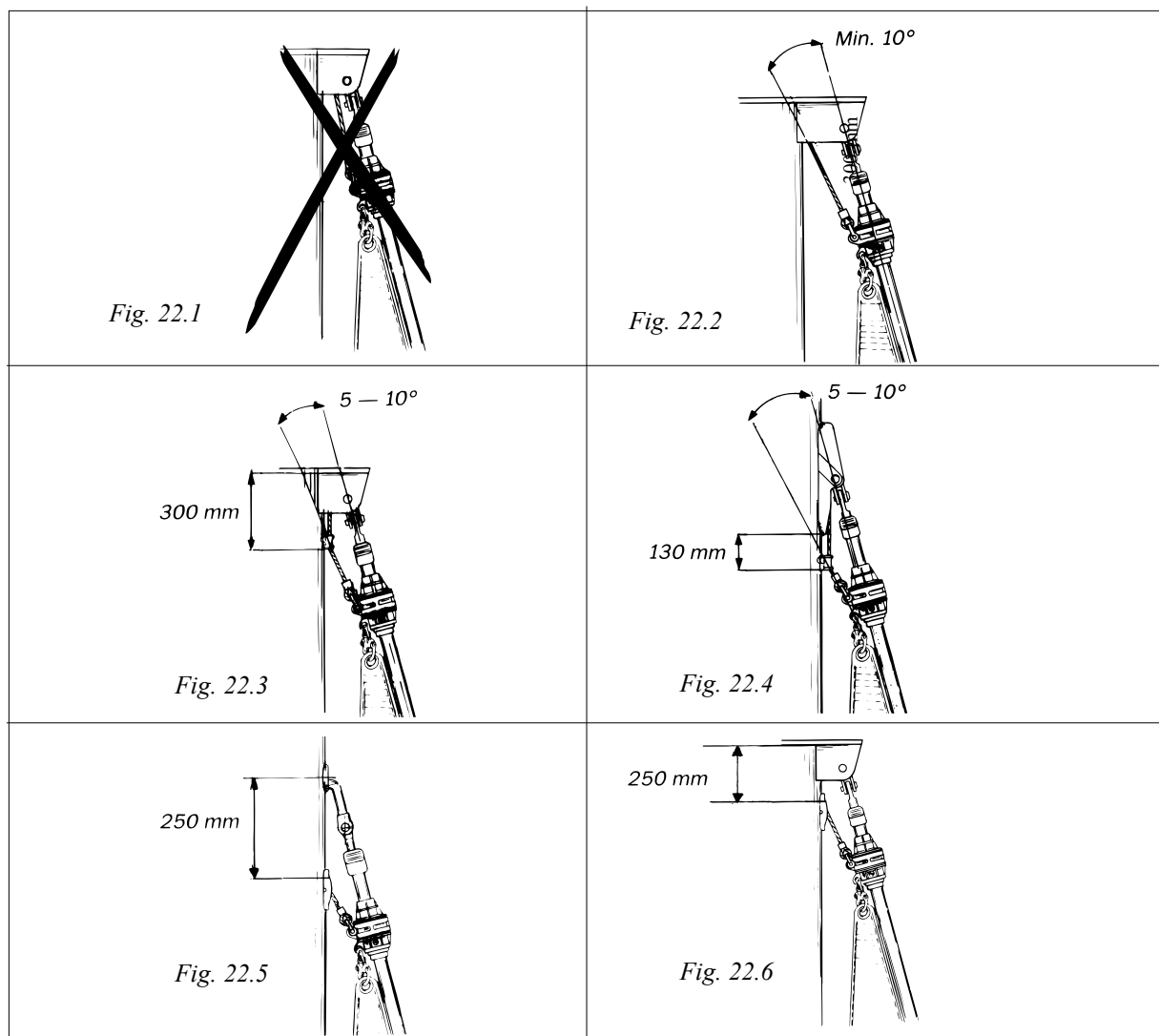


When the sail is furled on a rotating luff extrusion the halyard is also inclined to twist around the extrusion because of internal friction in the swivel. If this should occur furling will stop and may cause damage.

To prevent this from happening the halyard should be angled at least 10° from the forestay (see Fig. 22.2). This requirement is seldom fulfilled, in which case the halyard must be led through the halyard lead (No 508-128) supplied. (See figs. 22.3 and 22.4).

The kit contains two halyard leads. If the mast is fitted with two genoa halyards then both halyard leads should be fitted in case the No. 2 halyard should be inadvertently connected to the halyard swivel. The halyard leads are fitted beside each other.

Fitting dimensions for Seldén Masts are given figs. 22.3 and 22.4. The same values can often be used for masts from other suppliers, but the angle must then be carefully checked. Too great an angle can cause severe halyard chafe.



If a new mast is being made for use with Furlex it is recommended to fit a halyard box just under the mast-head box. Halyard chafe from a halyard lead can be entirely eliminated. It is possible to modify an old mast, but the extensive work involved may not be worth the advantage gained. See figs. 22.5 and 22.6.

Fitting the halyard leads

1. Determine location of the leads
2. Using the adhesive insulation pads as templates, drill the fixing holes with the 5.2 mm drill bit supplied.
3. Fit the leads over the halyards as it is not possible to thread them through afterwards because of the shackles.
4. Grease the screws and fasten the leads. The screws are self-tapping M6 and will fit the Ø 5.3 mm holes.

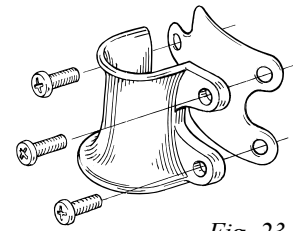


Fig. 23.1

Rigging

It is best to handle the Furlex stay together with the mast.

Mast down

1. Lift the mast with its aft facing down.
2. Allow the stay to rest on the forward face of the mast.
3. One person should control the Furlex stay the whole time to make sure it does not get damaged. Hold it over the side to avoid damages.

Mast up

1. Slacken off the backstay to its maximum.
2. Pull the mast-top forward with the genoa halyard. Do not use the snap shackle, but use either a bolt shackle or tie it to a cleat.
3. Put a whipping of half-hitches around the top of the luff extrusion. Tape it to prevent it from slipping.
4. Haul the stay up with a spinnaker or genoa halyard.
5. Climb the mast and fit the top end of the Furlex stay. Use a proper bosun's chair. Use the main halyard if there is no free foresail halyard. (See Seldén Masts **"Hints and Advice/Working Aloft"**)
6. After the stay has been fitted to the mast top, attach it to the stem-head fitting.

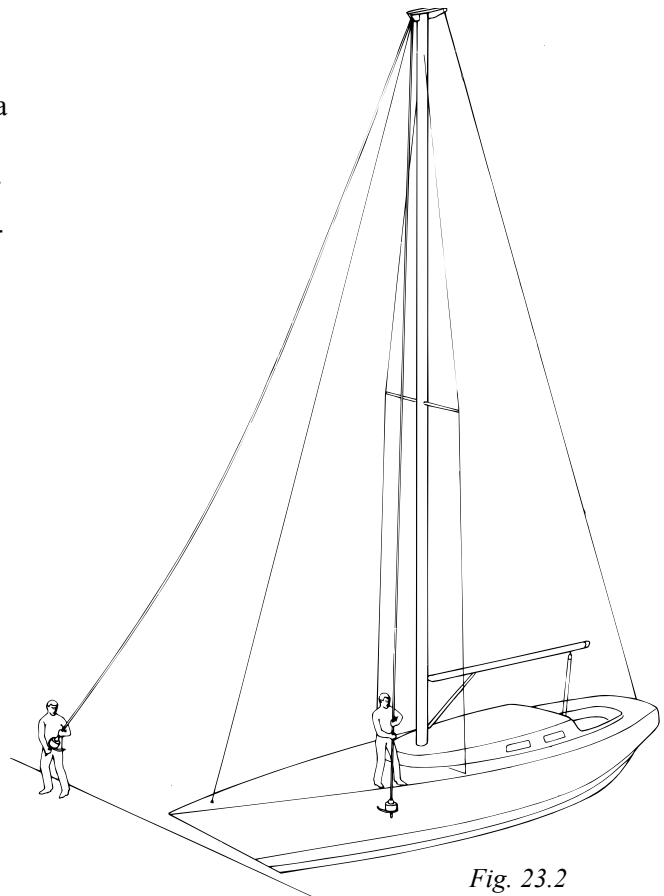


Fig. 23.2

Adjusting forestay length

Adjustment is 100 mm on the 300 H rigging screw, and 110 mm on 400 H.

1. Take out the stop screws holding the luff extrusion. (See fig. 21.1)
2. Undo the hydraulic hoses from the quick coupling.
3. Take out the clevis pin. (See fig. 21.2)



Note! Put on the protective sleeves and plugs.

4. Expose the rigging screw by pushing the drive unit up the foil extrusion. Keep it elevated with a halyard.
5. Remove the rigging screw lock screws. (See fig. 20.2)
6. Adjust the rigging screw to the desired length.
7. Re-assemble in reversed order. Ensure that the stop screws are properly located in the extrusion holes.

Tensioning the forestay

Use the backstay tensioner to tension the forestay to maximum 25% of its breaking load. (See Seldén Masts "Hints and Advice"). Higher tension can be used for a limited period.

A forestay that is tensioned hard gives better furling.



The forestay must be properly tensioned each time the sail is hoisted. You should therefore tension the backstay and any running backstays before hoisting the sail.

Fitting the sail

1. First check that the sail has been made to the specifications on page 31.
2. Turn the luff extrusion so the luff grooves face aft.
3. Turn the tack ring anti-clockwise until it comes to a distinct stop.
4. Lash the prefeeder to the tack ring with a maximum 300 mm (12") length of line. Thread the sail through the prefeeder starting at the head.
5. Connect the halyard swivel to the sail head and the halyard to the halyard swivel.
6. Tack down the sail to the tack snap shackle.
7. Hoist the sail in the starboard luff groove. This gives lower initial resistance when reefing. (The sail has to "bend" less if it is located in the starboard groove.) Check that the luff is feeding properly into the sail feed.
8. Tension the halyard until a vertical crease appears in the luff of the sail, then slacken off until the crease disappears. Belay the halyard.



Roll the sail on to the starboard side of the luff foil.

9. Take off the prefeeder.
10. Test furl the sail a few times in harbour to check all functions.

The sail can also be handled from the port side on condition that it is made and set for that purpose.

Operation

Unfurling the sail

Haul in on the sheet while pressing the unfurling switch. By doing this, the sail will not flap and be subjected to excessive wear.

Stop the reefing gear when the sail is fully open and the luff extrusion has a suitable angle to the apparent wind.

If you continue to press the unfurling switch, the sail will start to furl again, but in the wrong direction..

Furling the sail

Furl the sail on the starboard side of the luff extrusion.

Press the reefing switch (See fig. 13.1) while at the same time giving after on the sheet. The amount of counter-pressure you apply to the sheet will decide how tightly the sail is rolled.

Continue to roll some of the sheet over the sail when the sail is fully furled.

Reefing

Furlex Hydraulic is equipped with a tack-ring which is free to rotate about one revolution in relation to the luff extrusion. This helps to flatten the sail when reefed, as the tack does not start to roll in until the centre of the sail has been rolled in by that amount.



Remember!

Always roll in at least 2–3 revolutions.

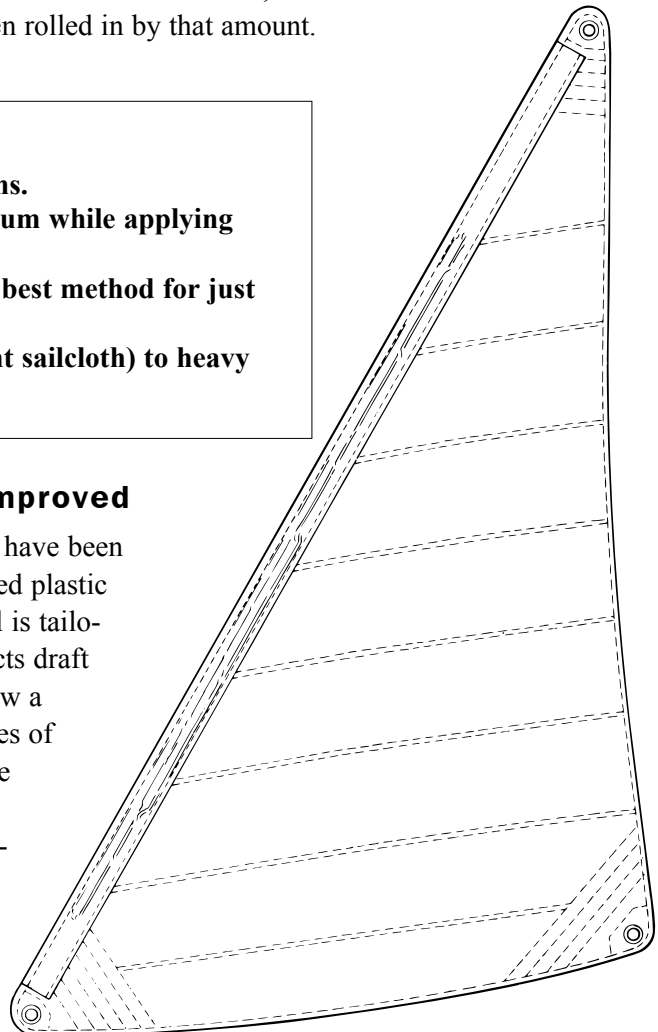
Pay out the sheet from the winch drum while applying some resistance.

Experiment in order to find out the best method for just your sail.

Do not subject a light wind sail (light sailcloth) to heavy winds.

Sail shape when reefed can be improved

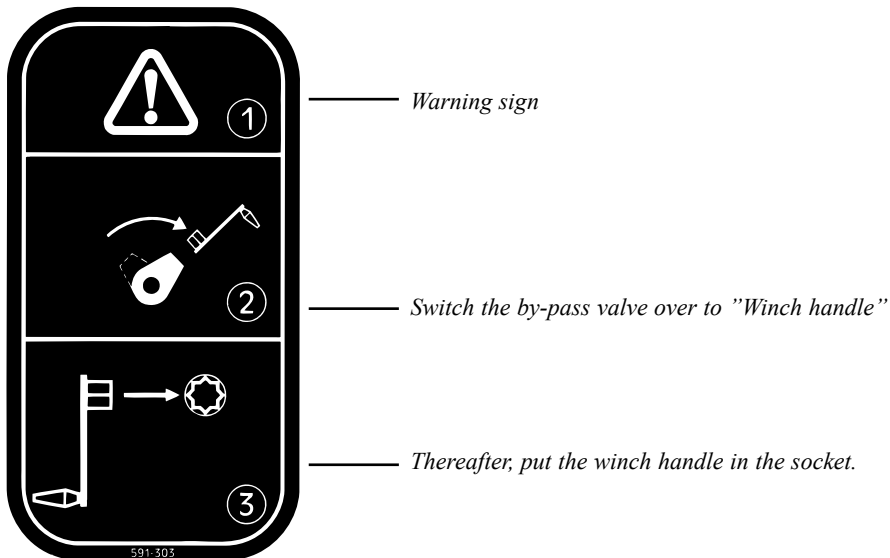
Various methods of improving reefed sail shape have been developed. Most sailmakers apply a cloth covered plastic foam ("Luff foam") along the luff. This material is tailored for the draft depth of the sail, and counter-acts draft increases as the sail is rolled in. One can also sew a "sleeve" along the luff. In this one can place lines of different dimensions for draft compensation. The advantage of this method is that it can be varied to suit the sail with the passage of time. It is therefore a suitable method to use if an old sail is being altered to suit your Furlex. Ask your sailmaker what method is the most suited to your requirements.



Manual operation

A standard winch handle can be used in the event of loss of oil pressure or current.

The by-pass valve is located on the through-deck fitting (see fig. 11.1).



The hydraulic motor cannot be started when the by-pass valve is in the position for manual operation. Manual operation can be undertaken in complete safety. The sail reefs when you turn the handle clockwise.



Warning! Never leave the winch handle in the drive unit. It will rotate very rapidly if the hydraulic motor is started.

Maintenance

Periodic examination and maintenance of the system is necessary if it is to operate easily and give long service. Give it a thorough examination on a regular basis. Follow the schedule below.

Cleaning

Wash and rinse the entire Furlex system with fresh water to remove dirt and salt. This is especially important with the lower parts of the unit, and in particular the tack swivel, as these are most exposed to salt water.

This is the most important service item.

It is alright to use detergents provided that all traces are rinsed off afterwards. Most detergents contain elements that can corrode aluminium alloys.

Treat all anodized aluminium surfaces afterwards with a silicone-free boat polish or wax. This provides good protection and reduces soiling of the sail.

Greasing

Avoid using too much grease. The halyard swivel bearings should be greased with the tube of grease supplied with the Furlex (part no. 312-501).

The two **halyard swivel** bearings are lubricated by injecting grease into the ball race gaps.

The **tack ring** top bearing is lubricated by injecting the grease through the gap into the ball race.

The **tack ring** bottom bearing is lubricated via a hole in the centre of the tack ring.

Periodic servicing

The drive unit gearing is greased with a lithium-based grease (SKF LGEP 2/04). We recommend that you have the unit serviced at intervals of no more than 5 years in normal use. Servicing entails disassembly and cleaning of the unit, replacement of the glands and O-rings and re-greasing.

For boats used in charter operations or circumnavigation etc the unit should be serviced on a more frequent basis.

Storage

Rinse the Furlex system to remove all salt and dirt. Store it in a dry, well ventilated place. The drive unit can be detached easily for storage separately. The Furlex stay is best stored together with the mast.



Under no circumstances should an unwashed or damp Furlex be wrapped in plastic or other impervious material.

Dismantling

The drive unit

With forestay off the mast

The entire drive unit is dismantled by pushing it upwards over the luff extrusion, see fig 21.1.

The sail feeder, halyard swivel, and top guard must first be removed from the extrusion.

With forestay rigged



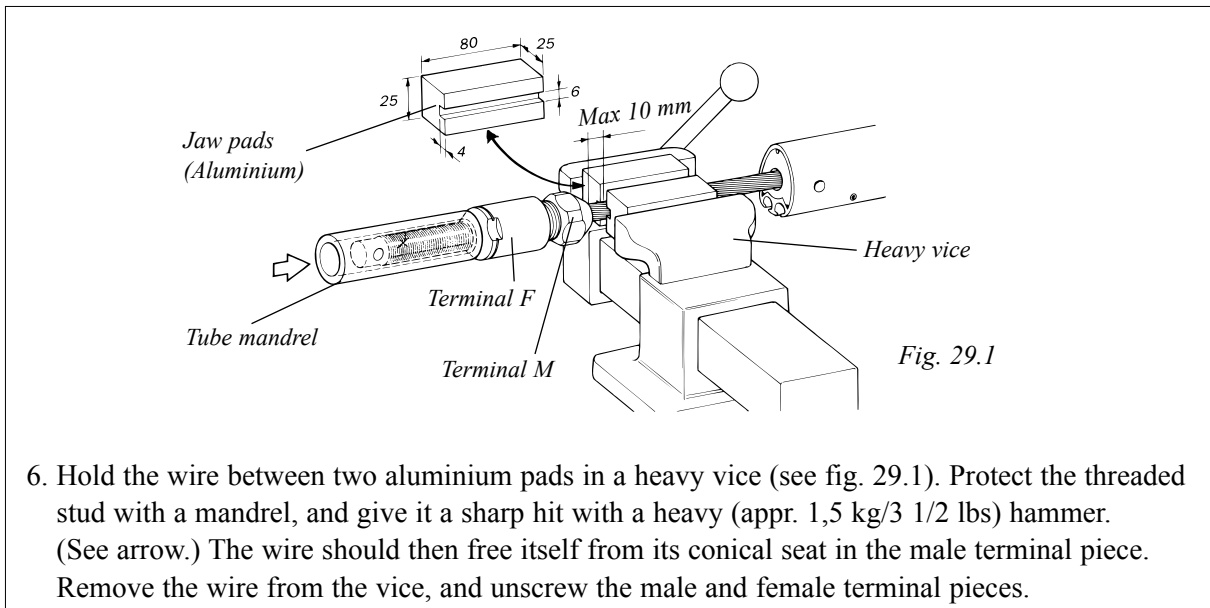
Note! This is a simple operation with forestay wires of Ø 8, 10 and 12 mm. However, with Ø 14 mm wire the male terminal piece has a larger diameter than the luff foil. The alternative is either to unrig the forestay, or to saw off the wire just above the male terminal piece. (The stay will then be shortened by 80 mm.)

1. Dismantle the terminal fitting (see pages 18 and 24).
2. The drive unit is then removed from the forestay by pushing it downwards.
3. Further dismantling of the Hydraulic drive unit should be left to Seldén Mast AB.
(Exception; see under Hydraulic motor unit, page 30.)

Forestay wire

The wire terminal must first be removed before the wire can be pulled out of the luff extrusion. As this has been tightened down for permanent fitting (fig. 19.3) it is important that the following is carefully followed for a successful operation.

1. Unrig the reefing system, see page 23, and lay it out on a clean and smooth surface. Dismantling then mainly follows a reversal of the order of assembly described on pages 14–21. The following describes only what especially applies to **dismantling**.
2. Dismantle the rigging screw, circular clip, and bushing from the Terminal F piece.
3. Unscrew male and Terminal F pieces. The threads are locked with locking adhesive. Heat the Terminal F piece to approx 100°C (212° Fahrenheit) and unscrew the parts while they are still hot.
4. Remove the former lying in the bottom of the Terminal F part and remove the washer from the Terminal M piece.
5. Screw male and Terminal F parts together, and then loosen one or two turns.

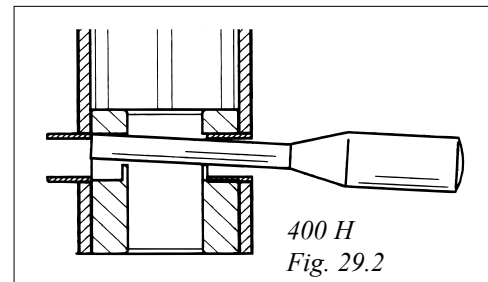


6. Hold the wire between two aluminium pads in a heavy vice (see fig. 29.1). Protect the threaded stud with a mandrel, and give it a sharp hit with a heavy (appr. 1,5 kg/3 1/2 lbs) hammer. (See arrow.) The wire should then free itself from its conical seat in the male terminal piece. Remove the wire from the vice, and unscrew the male and female terminal pieces.
7. Saw off the outer strands where they are bent inwards, so that the wedge can be removed.
8. Pry the wedge open slightly by putting a screwdriver into the slot and twisting. Pull the wedge off. Correct the twist of the strands. (Anti-clockwise seen from below.)
9. Pull the wire out through the top of the extrusion.

Luff extrusion system

For a better understanding of the following instructions, we recommend that you first read the section on assembly on pages 14–21.

1. Make sure that the luff extrusions are straight and placed on a flat surface.
2. Push the wire into the luff extrusion system until the end of the wire is approx. 50 mm (2") inside the 1000 mm (39 3/8") extrusion.
- 3a. 300 H: Knock out the locking pin at the lower end of the 1000 mm (39 3/8") luff extrusion.



- 3.b 400 H: Knock out the bushes at the lower end of the 1000 mm (39 3/8") luff extrusion. See Fig. 29.2.
4. Slide the wedge over the core of the wire again.
5. Hold the luff extrusion system firmly and pull the wires eye terminal. This will bring the forestay, bearing plug (400 H) in the 1000 mm (39 3/8") luff extrusion, joining sleeves and distance tubes out together, enabling the luff extrusions to be separated.

If, due to contamination or damage this method fails the connecting plates can be drilled out. Use a Ø 8 mm drill bit.

Reassemble of the luff extrusion.

1. Check all metal corners, edges and holes for damage, and file down if necessary.
2. Clean the wire and all extrusion parts with fresh water.
3. Refit the bearing plug into the 1000 mm luff extrusion.

Then follow pages 14–21. The inner strands of the wire must be cut level with the outer strands before starting re-assembly.

The Hydraulic Motor

The hydraulic motor should only be removed from the drive unit if it is not possible to turn the winch handle (see Manual Operation, page 26), or if the motor has to be replaced. The most likely reason for this would be that there are impurities in the oil.



Important! See "Installation" page 11.

Remove the hydraulic hoses. Apply the protective plugs.

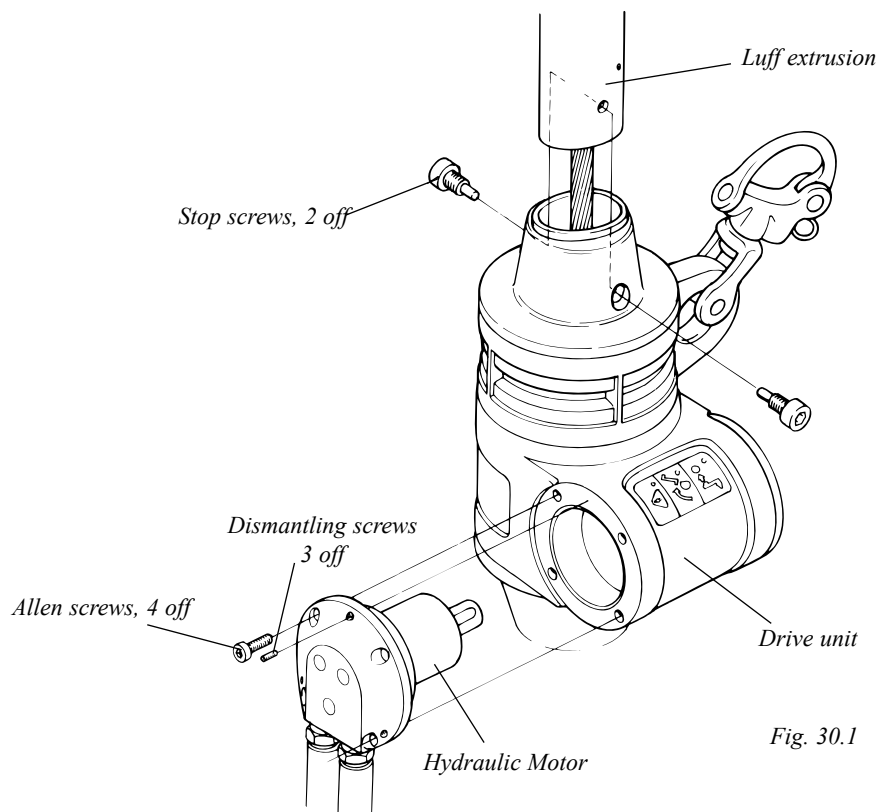
Remove the four Allen screws holding the cover on the port side (5 mm Allen key). Pull out the cover evenly by using the three dismantling screws (2.5 mm Allen key). Then carefully remove the motor by hand. Do not use any other tools.

Cover the open hole where the motor was seated tightly and accurately.

The drive unit can easily be operated manually even when the hydraulic motor has been removed.



Important! The cover and the motor form an integral unit that must not be dismantled.



Halyard swivel

Do not dismantle the halyard swivel. It can be very difficult to re-assemble correctly. (The balls in the ball races become loose among other things.)



If service or repair is necessary, contact your Furlex dealer.

The sail

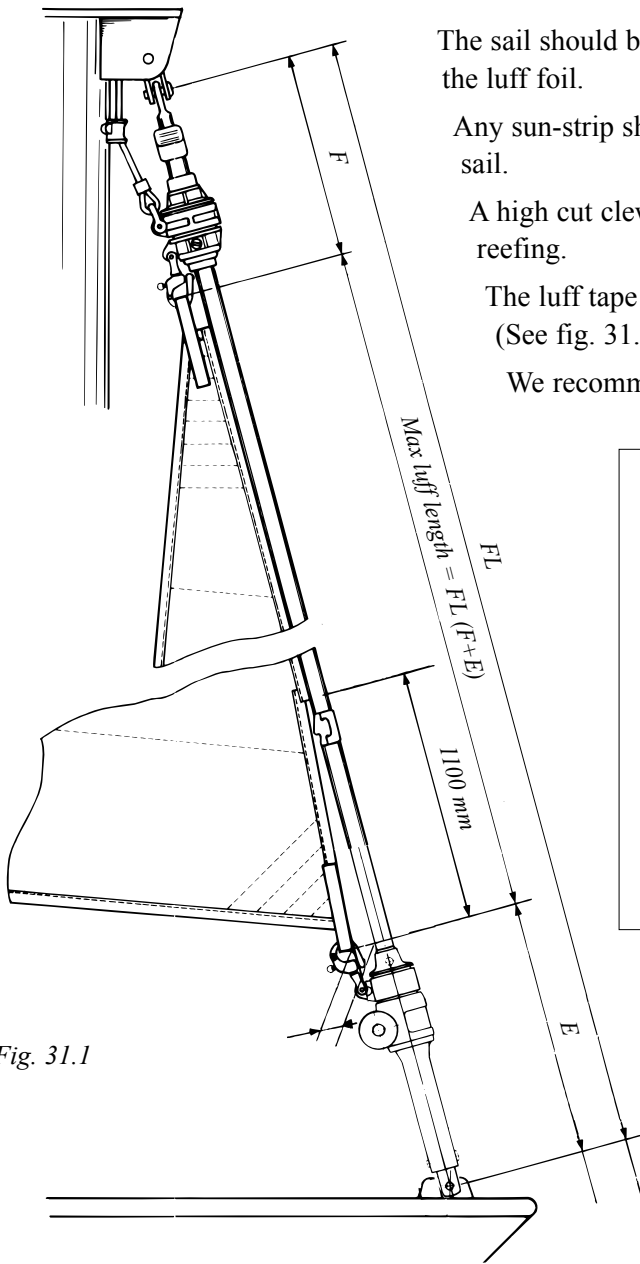


Fig. 31.1

The sail should be made for rolling up on the starboard side of the luff foil.

Any sun-strip should therefore be on the starboard side of the sail.

A high cut clew can give a constant sheet angle even when reefing.

The luff tape "hard line" should end above the sail feed. (See fig. 31.1).

We recommend webbing on both the head and tack.

Wire head pendant

Sail with a luff more than 500 mm (19") shorter than the maximum luff length should be fitted with a permanent wire head pendant. The pendant and sail luff together should not have a total length exceeding the maximum permissible luff length.

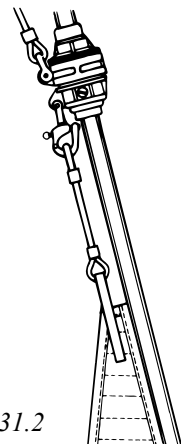


Fig. 31.2

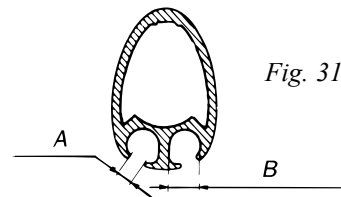


Fig. 31.3

Furlex Hydraulic Type	Extrusion Dimension	A mm	B mm	Max Luff tape mm	Cut-back CB mm	F mm	E mm	F+E MM
300 H	39/27	3.0	Ø 7.5	Ø 6.5	80	550	490	1040
400 H	48/34	3.0	Ø 8	Ø 6.5	100	650	675	1345

Important points to remember before sailing

- The sail rolls on to the starboard side of the luff extrusion.
- The halyard angles out 5–10° from the forestay with sail set.
- All sails used have the right total luff length. See page 31.
- No lines or halyards can get caught in either the swivel or sail.
- The tack ring is in the right position. See page 20.
- The winch handle is not in the drive unit when that is out of use. It will rotate very fast if the sail is rolled in or out.
- The by-pass valve is correctly set when operating manually.
- The quick couplings are properly locked. See page 11.

DINGHIES KEELBOATS YACHTS

Seldén Mast AB, Sweden
Tel +46 (0)31 69 69 00
Fax +46 (0)31 29 71 37
e-mail info@seldenmast.com

Seldén Mast Limited, UK
Tel +44 (0) 1329 504000
Fax +44 (0) 1329 504049
e-mail info@seldenmast.co.uk

Seldén Mast Inc., USA
Tel +1 843-760-6278
Fax +1 843-760-1220
e-mail info@seldenus.com

Seldén Mast A/S, DK
Tel +45 39 18 44 00
Fax +45 39 27 17 00
e-mail info@seldenmast.dk

Seldén Mid Europe B.V., NL
Tel +31 (0) 111-698 120
Fax +31 (0) 111-698 130
e-mail info@seldenmast.nl

Seldén Mast SAS, FR
Tel +33 (0) 251 362 110
Fax +33 (0) 251 362 185
e-mail info@seldenmast.fr

www.seldenmast.com

Dealer:

The Seldén Group is the world's leading manufacturer of masts and rigging systems in carbon and aluminium for dinghies, keelboats and yachts.

The Group consists of Seldén Mast AB in Sweden, Seldén Mast A/S in Denmark, Seldén Mast Ltd in the UK, Seldén Mid Europe B.V. in the Netherlands, Seldén Mast Inc in the USA and Seldén Mast SAS in France. Our well known brands are Seldén and Furlex. The worldwide success of Furlex has enabled us to build a network of over 750 authorised dealers covering the world's marine markets. So wherever you sail, you can be sure of fast access to our service, spare parts and know-how.

