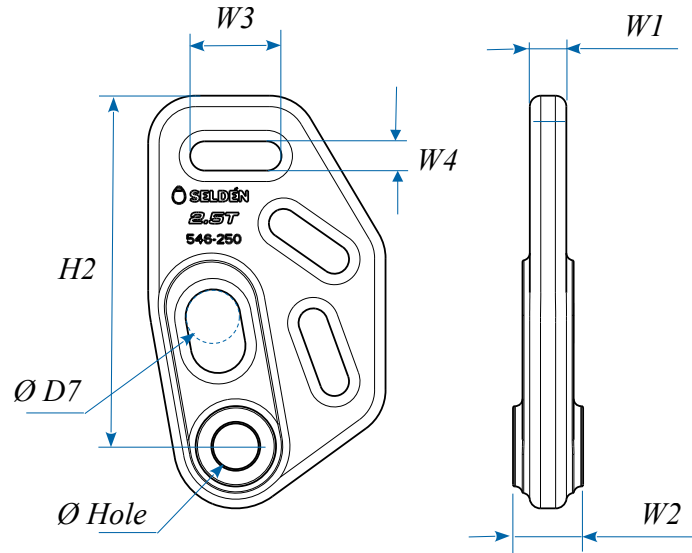
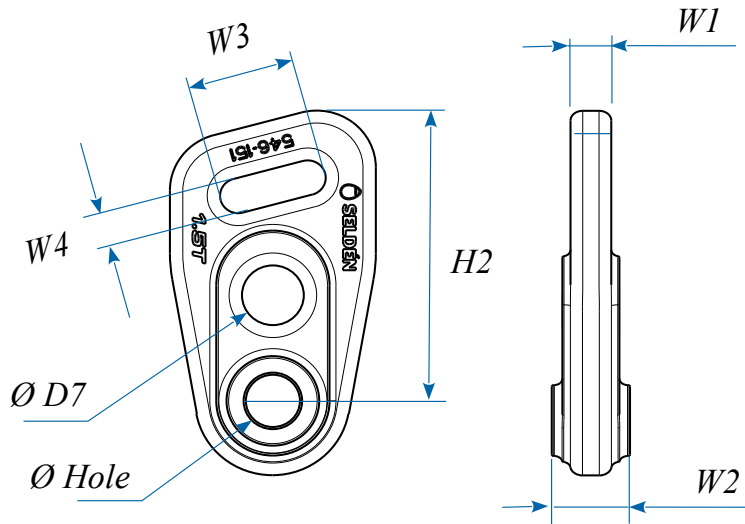


Tackboards



System	Part no.	Ø Hole	Plate thickness	Max width	Slot length	Slot width	Height	Oval
			W1	W2	W3	W4	H2	ØD7
			mm	mm	mm	mm	mm	mm
CXr15	546-150	10.5	8	16	21	7	78	12
CXr25	546-250	12.5	10	19	25	8	96	15
CXr45	546-450	16.5	13	20	33	10	120	19

Headboards



System	Part no.	Ø Hole	Plate thickness	Max width	Slot length	Slot width	Height	Oval
			W1	W2	W3	W4	H2	ØD7
			mm	mm	mm	mm	mm	mm
CXr15	546-151	10.5	8	16	21	7	58	12
CXr25	546-251	12.5	10	19	25	8	76	15
CXr45	546-451	16.5	13	20	33	10	93	19