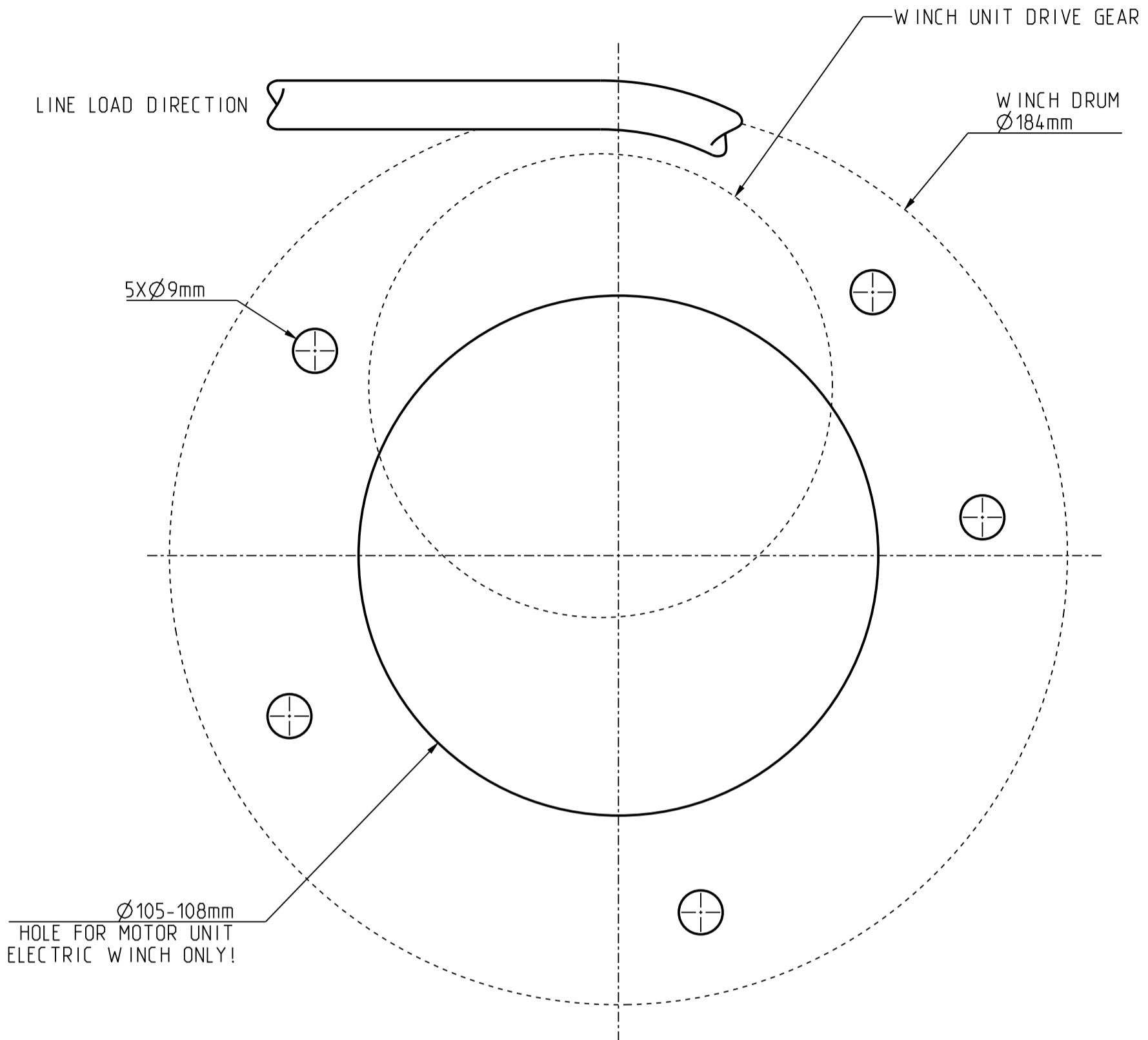
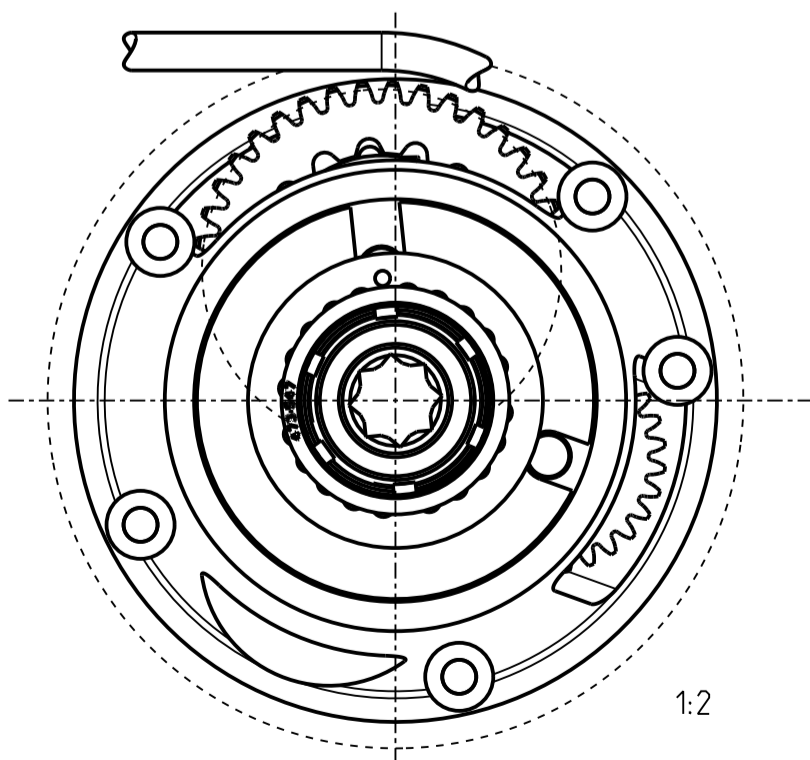


Template S46 E46 S52 E52

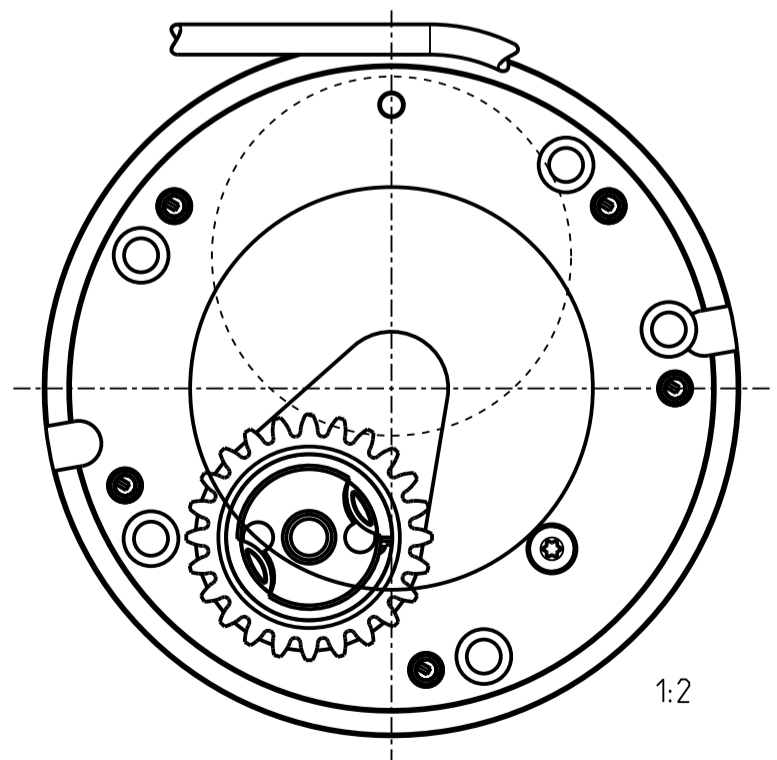
597-511-E
DRILLING TEMPLATE S46, S52, E46 & E52
2023-10-26



VERIFY THE PRINTED SCALE OF THIS TEMPLATE BEFORE
ATTEMPTING ANY INSTALLATION



TOP VIEW - MANUAL UNIT



TOP VIEW - ELECTRIC UNIT