

Template E40

597-510-E
DRILLING TEMPLATE E40
2023-08-28

LINE LOAD DIRECTION



WINCH UNIT
DRIVE GEAR WHEEL

WINCH DRUM
 $\varnothing 152\text{mm}$

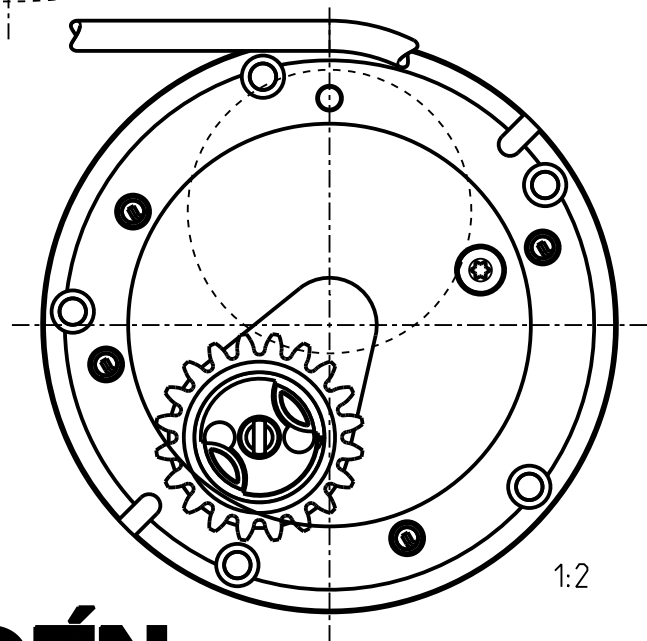
$\varnothing 105\text{-}108\text{mm}$
HOLE FOR MOTOR UNIT

$5 \times \varnothing 7\text{mm}$



VERIFY THE PRINTED SCALE
OF THIS TEMPLATE BEFORE
ATTEMPTING ANY INSTALLATION

TOP VIEW -
ELECTRIC UNIT



1:2