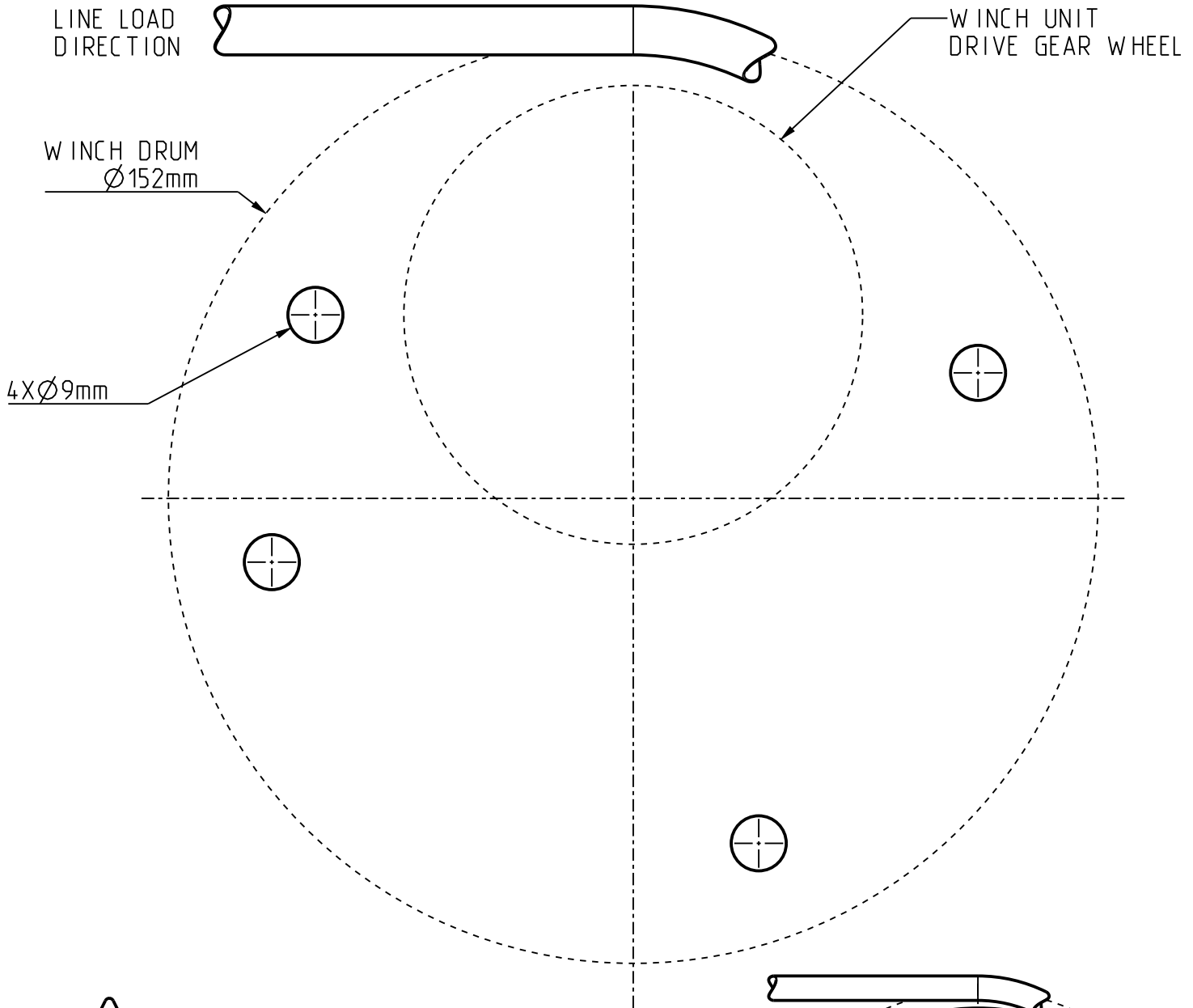


# Template S40

597-509-E  
DRILLING TEMPLATE S40  
2023-08-22



VERIFY THE PRINTED SCALE  
OF THIS TEMPLATE BEFORE  
ATTEMPTING ANY INSTALLATION

TOP VIEW -  
MANUAL UNIT

