

Template S30

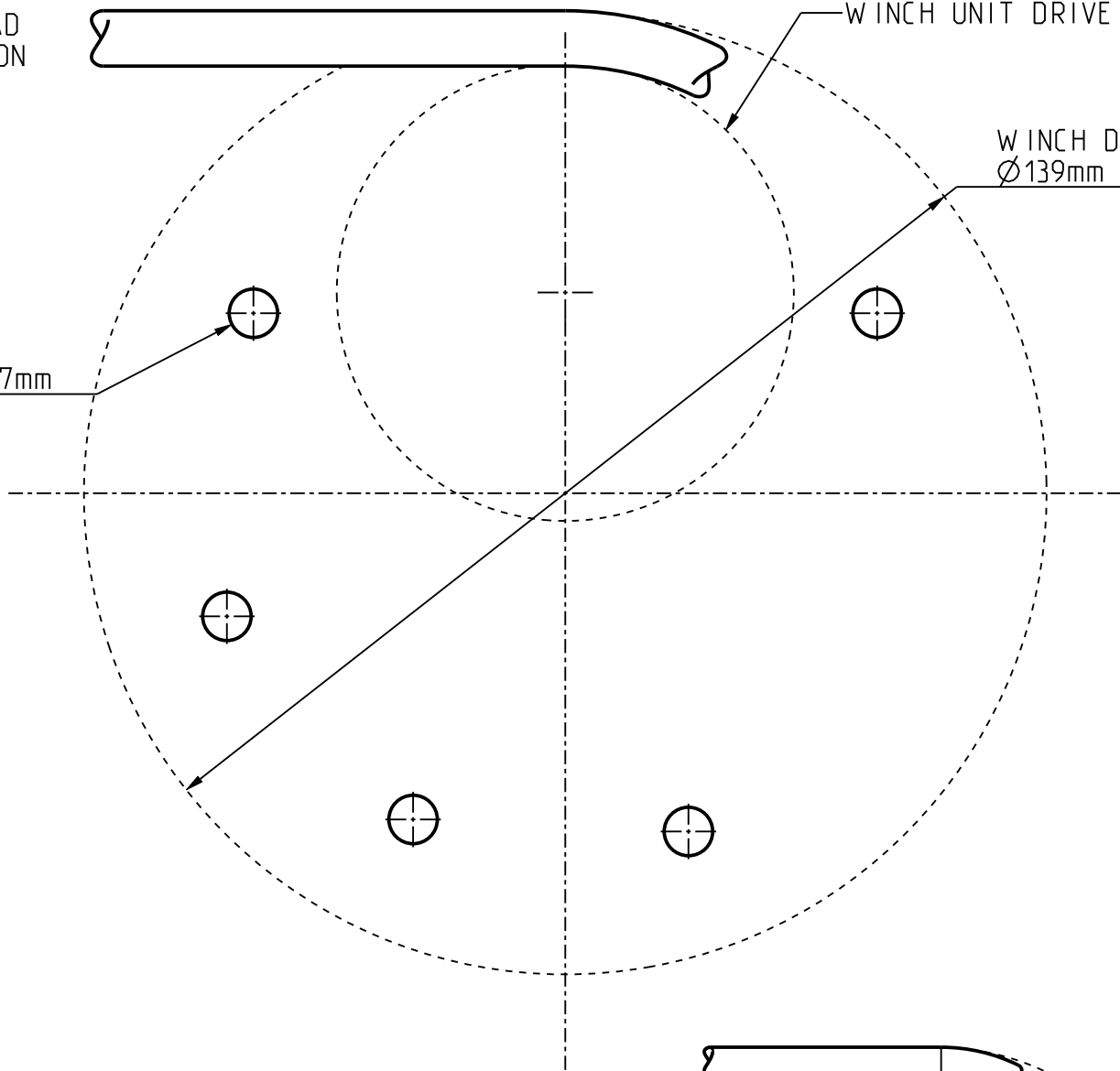
597-198-E
DRILLING TEMPLATE S30
2023-10-10

LINE LOAD
DIRECTION

WINCH UNIT DRIVE GEAR

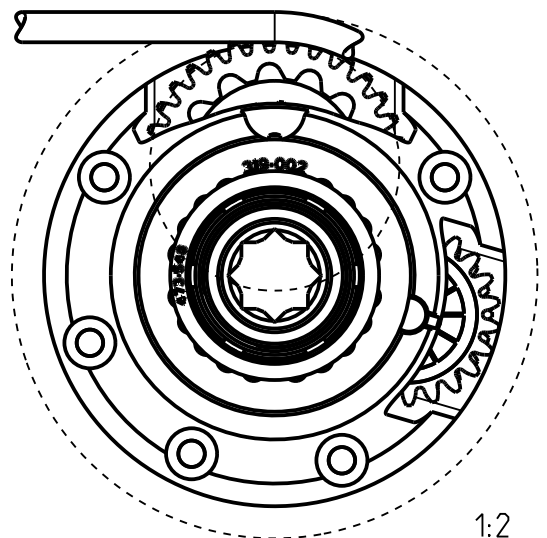
WINCH DRUM
Ø139mm

5X Ø7mm



VERIFY THE PRINTED SCALE
OF THIS TEMPLATE BEFORE
ATTEMPTING ANY INSTALLATION

TOP VIEW



1:2