

CamCleat spare part replacement instructions.

Art.no. 433-102-01R (Use for CamCleat 27 MKI, production year 2008-2022)

Art.no. 433-152-01R (Use for CamCleat 27 MKII, production year 2022-)

Art.no. 433-202-01R (Use for CamCleat 38 MKI, production year 2008-2022)

Art.no. 433-352-01R (Use for CamCleat 38 MKII, production year 2022-)

CamCleat MKII

Seldén recommend to replace all parts in the sparekit. To replace Lids A, Springs B and Bearings C

- Start by undoing the fasteners E.
- Remove lids A and springs B using a pointy object.
- Remove cams D by lifting them upward.
- Remove bearings C from the cams D.

Assemble it in reverse order.



You will need:

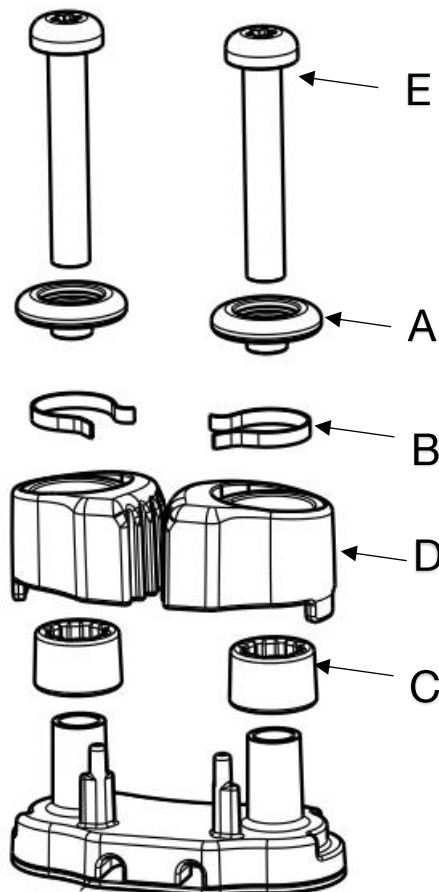
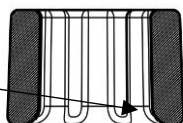
- Tools to uncrew fasteners.
- Pointy object to access internal parts



Make sure to mount the bearings correctly.

- Large diameter round should be placed towards bottomplate.

Large diameter on the bottom



CamCleat MKI

Seldén recommend to replace all parts in the sparekit. To replace Lids A, Springs B and Bearings C

- Start by undoing the fasteners E.
- Remove lids A and springs B using a pointy object.
- Remove cams D by lifting them upward.
- Remove bearings C from the cams D.

Assemble it in reverse order.

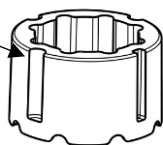


You will need:

- Tools to uncrew fasteners.
- Pointy object to access internal parts



Assemble the bearings with slots facing upwards.



The springs are asymmetrical. Meaning there is one spring for right side and one for left side of the camcleat.

- To assemble springs hook the curved end through slot in tower F.
- Insert the straight end through the smallest slot in bearing G.

