

Halyard Tensioner 32 User Manual

511-666-01

Locking mechanism.

The locking mechanism is separated by plastic piece C. Its position indicates if the pinstop is in locked or unlocked position. There are two springs. One upper spring for unlocking the handle, one lower spring for unlocking pinstop.

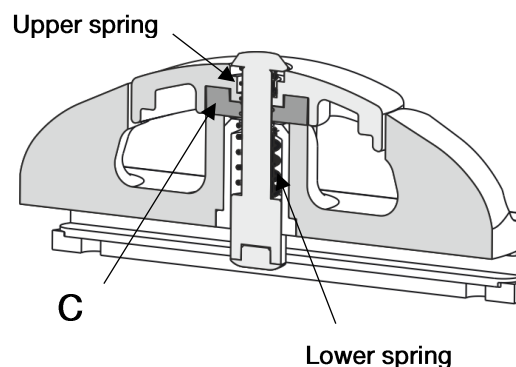
Using this, you can lift handle and rotate the handle without the pinstop moving.

If you rotate without lifting, the pinstop will move.



Note!

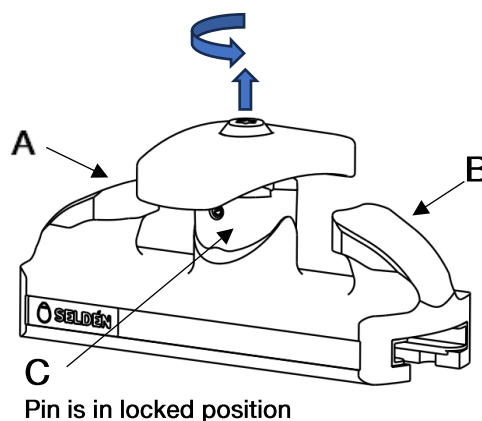
When system is not **under load**, lifting the handle may **unlock pinstop**.



Tensioning the halyard.

1.

With pinstop in locked position, **lift and rotate** the handle to open position. Hook halyard to tower A and rope to tower B.



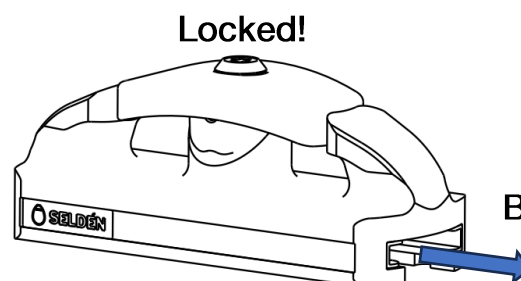
2.

Lift and rotate handle to closed position. Pull rope B until desired halyard tension.



Note!

Make sure handle and pinstop is in locked position before pulling.



3.

When desired tension has been achieved. **Lift and rotate** handle as step 1. Remove rope B. **Lift and rotate** handle to closed position as step 2. Halyard is now set and under tension.

Easing the halyard.

1.

To ease halyard tension. Attach rope B. Pull rope B slightly to release pressure from pinstop. **Rotate** handle to disengage the pin. Ease rope B until tension is off.

