



# LIGHTS

Masthead lights	160
Floodlights and steaming lights	161
Retro-fitting cables	162
Cable conduits	162
Cables and dimensions	162

*Spreader down-light will make your work on deck simpler and safer at night and the up-lights will allow you to check the sail trim. And yes....it looks really cool.*

## Compulsory lights

International Regulations for Preventing Collisions at Sea, 1972, stipulate compulsory lights on all yachts. Seldén offers all the necessary lighting equipment to comply with the rules.



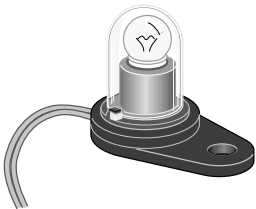
**Tricolour/white**  
with or without anchor light.



**Anchor light**  
Art. No. 526-163-01.

## Masthead lights

Item	Size of boat	Fitting	Art. No.	Type of masthead	Required cable Art. No.
Anchor light 12V	For boats <7 m (Scandinavia) <12 m (International)	Base 508-549-01 incl.	526-163-01	15°	531-003
		Base 508-562 incl.	526-163-02	0°	
Anchor and steamlight 12V	For boats LOA <12 m	Stainless housing, base 508-562 incl.	526-026-01	0°	531-007
Aquasignal 41		Stainless housing, base 508-560 incl.	526-026-02	15°	
Windex light 12V	All	No fasteners required. Fit below Windex base.	526-153-01	See fig. 1	531-003
Tricolour lamp, Quick fit. 12V/24V	For boats LOA <20 m	Base 508-560 incl.	526-020-02/05	15°	531-006
		Base 508-562 incl.	526-020-03/06	0°	
Tricolour lamp/White, Quick fit. 12V/24V	For boats LOA <20 m	Base 508-560 incl.	526-021-02/05	15°	531-007
		Base 508-562 incl.	526-021-03/06	0°	



Windex light

## Masthead lights, LED Aquasignal 34 12/24V


Item	Size of boat	Fitting	Art. No.	Type of masthead	Required cable Art. No.
Anchor light	For boats LOA <50 m Visibility 2nm	Base 508-560 incl.	526-036-02	15°	531-038
		Base 508-562 incl.	526-036-03	0°	
Tricolour light	For boats LOA <20 m Visibility 2nm	Base 508-560 incl.	526-075-02	15°	531-038
		Base 508-562 incl.	526-075-03	0°	
Anchor light and Tricolour light	For boats LOA <20 m Visibility 2nm	Base 508-560 incl.	526-038-02	15°	531-037
		Base 508-562 incl.	526-038-03	0°	
Steaming light with anchor light	For boats LOA <20 m Visibility 2nm	Base 508-560 incl.	526-070-02	15°	531-037
		Base 508-562 incl.	526-070-03	0°	



Aquasignal 34




## Spreader light, LED for T-spreaders (see page 30)

Black anodized with circular light beam. LED 3,6W, 12/24V. Ref. Installation manual, 595-326-E

Item	Spreader	Art. No.	Kit includes	Additional parts	
	Flood light	T90-T131	526-182-01	1 light with housing and 1 m cable , screws, fairlead 508-609, pop-rivets, Male 3-pole socket 532-031	Female socket to fit on the mast: 532-030-03 Cable for installation in mast: 531-038 (2x0,5 mm2) Max length 12V: 19 m 24V: 74 m
	Up-light		526-182-02		
	Flood light and Up-light		526-182-03	2 lights with housing and 1 m cable , screws, fairlead 508-609, pop-rivets, Male 3-pole socket 532-031, cable terminals, heat shrink.	Female socket to fit on the mast: 532-030-03 Cable for installation in mast: 531-037 (3x0,5 mm2) Max length 12V: 14 m 24V: 60 m

## Flood light and steaming light,LED

Recommended position: 27% of FH

Item	Size of boat	Fitting	Art. No.	Required Cable, Art. No.
 Steaming light Hella Naviled Pro	LOA < 20 m Visibility 3nm	Base 535-614 (nylon) and self-tapping screws included.	526-081-01	15 m cable included
 Steaming light Hella Naviled Pro	LOA < 50 m Visibility 5nm	Base 523-047 (alu) and 3-pole male- and female connectors included	526-073-01	15 m cable included
 Steaming light with flood light (Hella/Cabin)	LOA < 20 m Visibility 3nm	Base 535-614 and self tapping screws included	526-081-02	15 m cable included

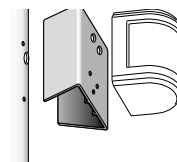
## Flood light and steaming light

Item	Size of boat	Fitting	Art. No.	Remarks	Required cable Art. No.
Flood light, 12V/35W	All masts, front mounted	Black housing	526-156-01*	Pop rivets incl.	513-006
Flood light, 24V/50W			526-156-02*		
Flood light, 12V/35W		White housing	526-156-03*		
Flood light, 24V/50W			526-156-04*		
Steaming lights, 12V/10W Aquasignal 25	For boats LOA <7 m (Scandinavia) <12 m (international)	Base 508-566 incl.	526-015-01		531-003
Steaming lights, 12V/25W Aquasignal 41. Black composite	For boats LOA <12 m (Scandinavia) <20 m (international)	Base 508-614 incl.	526-009-03	Screws incl.	531-006
Steaming lights, 24V/25W Aquasignal 41. Black composite			526-009-04		
Steaming lights, 12V/25W Aquasignal 50. Stainless steel	For boats LOA <20 m	Protection loop 508-519 incl.	526-002-01	Fasteners incl.	
Steaming lights, 24V/25W Aquasignal 50. Stainless steel			526-002-02		
Protection loop, alum. (2 pcs) Aquasignal 50	For use with Aquasignal steaming lights		508-519-02		
Protection loop, stainless steel	E274, C304, F305 and bigger		508-172-01		

\* Light insert: 12V (Art. No. 532-154), 28V (Art. No. 532-155).  
O-ring for flood lights Art. No. 530-365.



Steaming light 526-009-03 and flood light 526-156-01

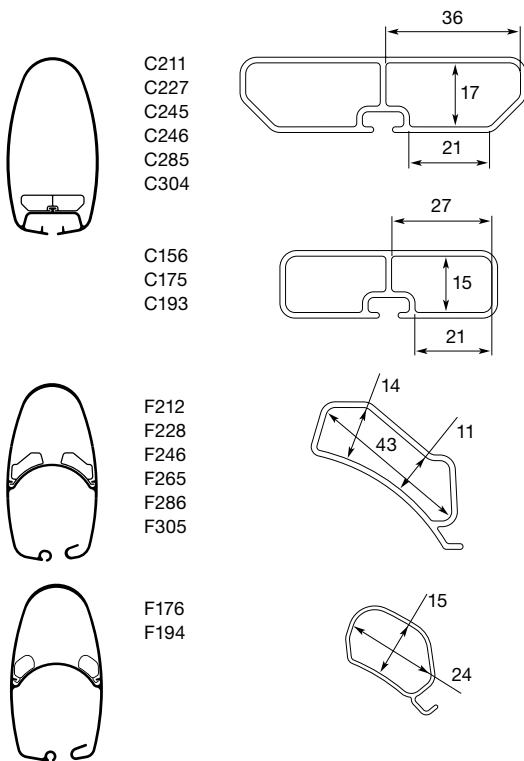


Nylon base for flood light. Suits most lights and mast sections. Art. No. 535-614.

## Retro-fitting cables

For all D-sections, E-sections, P-sections and R-sections, please see our instruction "Running cables" 595-557-E. Also available from [www.seldenmast.com](http://www.seldenmast.com).

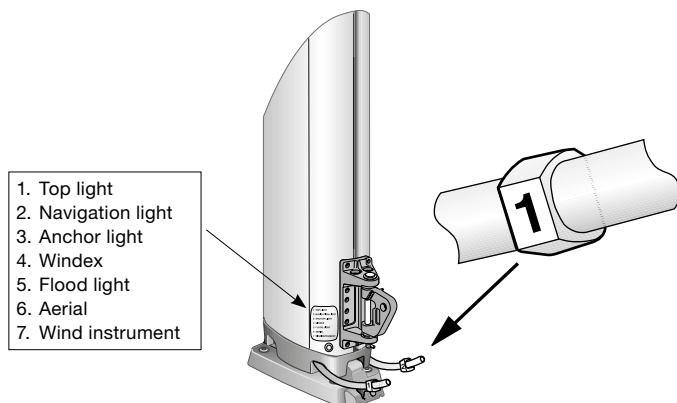
## Cable conduits



## Cables and dimensions

Light	Effect	Cable length, m	Required cable area, mm <sup>2</sup>
Anchor light	10W	0-33	1.5
		33-55	2.5
Steaming lights and navigation lights	10W	0-13	1.5
		13-22	2.5
	25W	0-5	1.5
		5-9	2.5
Floodlight	45W	9-14	4
		7-12	2.5
		12-20	4

All Seldén masts have a cable identification to facilitate connection when stepping the mast.



Cable for:	Cable area, mm <sup>2</sup>	Art. No.	Remarks
Wind instrument	10 x 0.25	531-012	Ø 7.3 mm
Windex light, anchor light and steaming lights	2 x 1.5	531-003	Ø 6.9 mm
Tricolour/white/strobe	4 x 2.5	531-018	Ø 8.6 mm
Tricolour lamp, flood-light and steaming lights	2 x 2.5	531-006	Ø 7.6 mm
Tricolour lamp/white, anchor and steaming lights	3 x 2.5	531-007	Ø 8.1 mm
Aerial	RG 213U	531-010	50 ohm (min. for VHF-radio according to German standard) Ø 10.2 mm (Cable terminal Art. No. 532-021)
	RG 58U	531-024	50 ohm, Ø 5.4 mm (Cable terminal Art. No. 532-023)



**Cable support**

Protects the cable from wear in the exit area. Lead the cable out through a  $\varnothing$  14 mm hole, jam the support onto the cable and plug the hole. Max cable size: 2 x 2.5 mm<sup>2</sup> ( $\varnothing$  7.6 mm). Art. No. 532-105.

