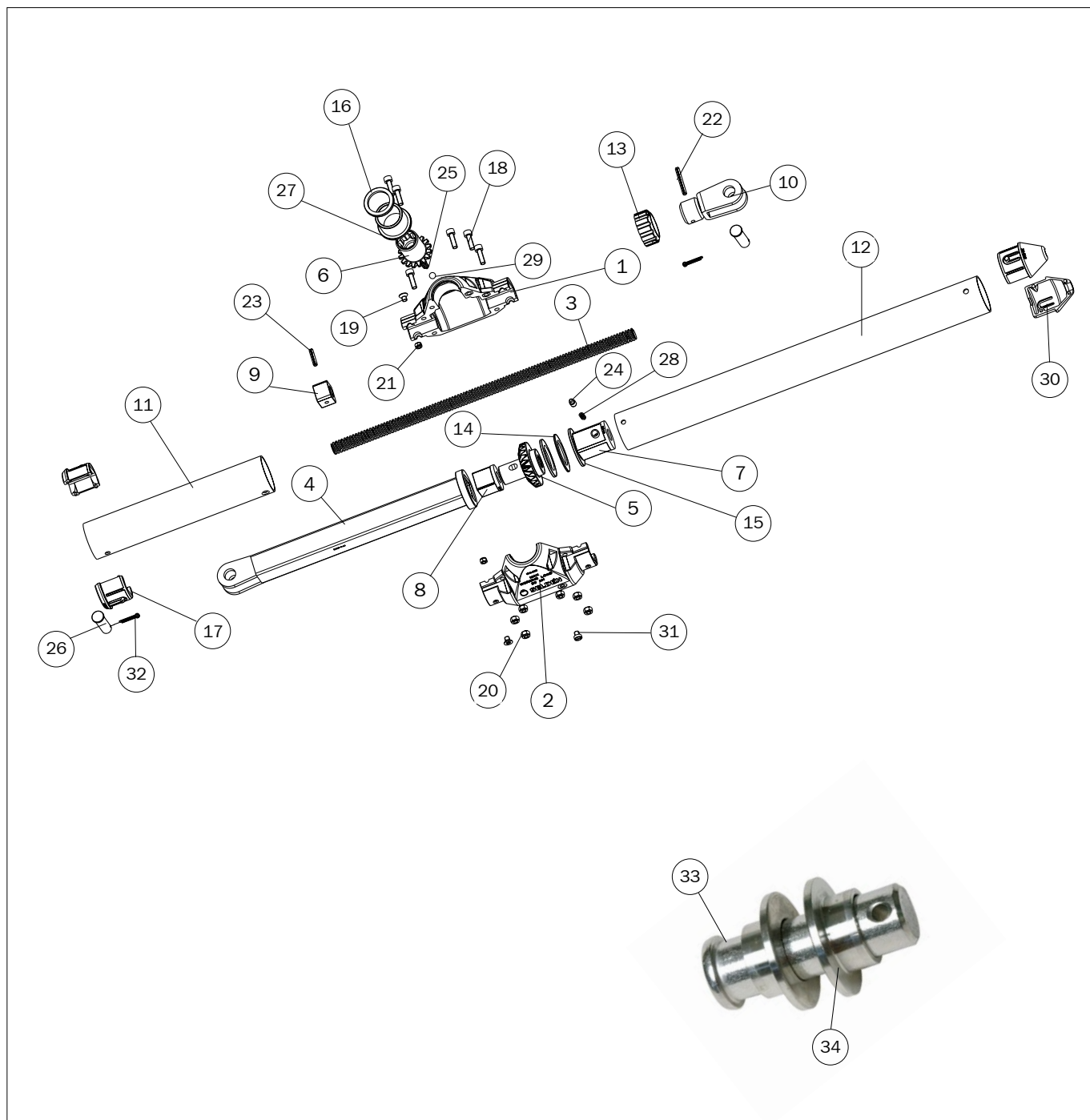
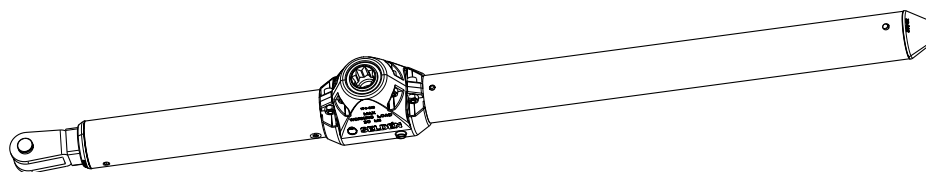


Spare Parts List

Backstay tensioner 174-601-01/-02

Halyard tensioner 174-601-03





Item	Description	174-601-01			174-601-02/174-601-03		
		Dimension	Qty	Part no.	Dimension	Qty	Part no.
1	Gearbox half ²⁾	150x104x36	1	174-601	150x104x36	1	174-601
2	Gearbox half ²⁾	150x104x36	1	174-618	150x104x36	1	174-618
3	Tension screw	Ø 16-425	1	174-604	Ø 16-575	1	174-634
4	Drag link ¹⁾	30x30-360	1	174-602	30x30-660	1	174-632
5	Bevel gear ⁴⁾	Ø 60x54	1	320-007	Ø 60x54	1	320-007
6	Bevel gear ⁴⁾	Ø 45x58	1	320-008	Ø 45x58	1	320-008
7	Guide bush	30x30x45	1	174-605	30x30x45	1	174-605
8	Guide bush	26x26x30	1	174-606	26x26x30	1	174-606
9	Stopper	25X25x20	1	174-607	25X25x20	1	174-607
10	Fork	Ø 30x86	1	174-603	Ø 30x86	1	174-603
11	Tube	Ø 50/46-250	1	174-610	Ø 50/46-550	1	174-630
12	Tube	Ø 50/46-510	1	174-611	Ø 50/46-660	1	174-631
13	Bush	Ø 45/30-20	1	174-608	Ø 45/30-20	1	174-608
14	Bearing ³⁾	AXK 3552	1	174-612	AXK 3552	1	174-612
15	Washer ³⁾	LS 3552	2	174-615	LS 3552	2	174-615
16	Lip seal ³⁾	30x40x4	1	174-617	30x40x4	1	174-617
17	Plug half	Ø 51x38	2	174-609	Ø 51x38	2	174-609
18	Screw	M6x20	6	153-001	MC6S 6x20	6	153-001
19	Screw	M5x8	2	162-051	M5x8	2	162-051
20	Nyloc nut	M6	6	158-011	M6	6	158-011
21	Nyloc nut	M5	2	158-004	M5	2	158-004
22	Spring pin	Ø 5x40	1	166-534	Ø 5x40	1	166-534
23	Spring pin ⁴⁾	Ø 5x24	1	166-533	Ø 5x24	1	166-533
24	Locking knob	Ø 7x13	1	174-620	Ø 7x13	1	174-620
25	Spring	Ø 1.0/DY7.5/L12/N4.5	1	308-012	Ø 1.0/DY7.5/L12/N4.5	1	308-012
26	Clevis pin	Ø 15.8X38(HF)	2	168-021	Ø 15.8X38(HF)	2	168-021
27	Flange bush ³⁾	Ø 45/37/30-30	1	306-561	Ø 45/37/30-30	1	306-561
28	Spring	Ø 6x13	1	308-023	Ø 6x13	1	308-023
29	Ball	Ø 8	1	539-128	Ø 8	1	539-128
30	Plug half	Ø 51-60	2	319-582	Ø 51-60	2	319-582
31	Screw mcs	6x5 (DIN 85)	1	319-681	6x5 (DIN 85)	1	319-681
32	Split pin	Ø 3x25 (EQ.LEG)	2	301-020	Ø 3x25 (EQ.LEG)	2	301-020
	l:backstay tensioner		1	595-663-E		1	595-663-E
	l:akterstagssträckare		1	595-663-S		1	595-663-S
	l:achterstagspanner		1	595-663-T		1	595-663-T

33	Clevis pin	Ø 11x40	2	168-019	Ø 11x40	2	168-019
33	Clevis pin	Ø 13x40	2	168-015	Ø 13x40	2	168-015
34	Flange bush	Ø 25/16/13-9.5	4	306-558	Ø 25/16/13-9.5	4	306-558

¹⁾ Fork turned 90° in Halyard tensioner 174-601-03

²⁾ Only in Gearbox replace kit 174-618-01

³⁾ Bearing repair kit 174-612-01

⁴⁾ Bevel repair kit 320-007-01



www.seldenmast.com

Sweden: Seldén Mast AB, Tel +46 (0)31 69 69 00, e-mail info@seldenmast.com UK: Seldén Mast Ltd., Tel +44 (0)1329 50 40 00, e-mail info@seldenmast.co.uk USA: Seldén Mast Inc., Tel +1 843-760-6278, e-mail info@seldenus.com Denmark: Seldén Mast A/S, Tel +45 39 18 44 00, e-mail info@seldenmast.dk the Netherlands: Seldén Mid Europe B.V., Tel +31 (0)111-698 120, e-mail info@seldenmast.nl