



LIGHTS

Masthead lights	160
Floodlights and steaming lights	161
Retro-fitting cables	162
Cable conduits	162
Cables and dimensions	162

Spreader down-light will make your work on deck simpler and safer at night and the up-lights will allow you to check the sail trim. And yes....it looks really cool.

Compulsory lights

International Regulations for Preventing Collisions at Sea, 1972, stipulate compulsory lights on all yachts. Seldén offers all the necessary lighting equipment to comply with the rules.



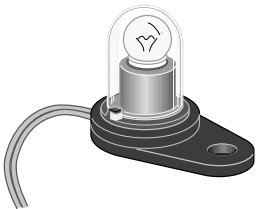
Tricolour/white
with or without anchor light.



Anchor light
Art. No. 526-163-01.

Masthead lights

Item	Size of boat	Fitting	Art. No.	Type of masthead	Required cable Art. No.
Anchor light 12V	For boats <7 m (Scandinavia) <12 m (International)	Base 508-549-01 incl.	526-163-01	15°	531-003
		Base 508-562 incl.	526-163-02	0°	
Anchor and steamlight 12V	For boats LOA <12 m	Stainless housing, base 508-562 incl.	526-026-01	0°	531-007
Aquasignal 41		Stainless housing, base 508-560 incl.	526-026-02	15°	
Windex light 12V	All	No fasteners required. Fit below Windex base.	526-153-01	See fig. 1	531-003
Tricolour lamp, Quick fit. 12V/24V	For boats LOA <20 m	Base 508-560 incl.	526-020-02/05	15°	531-006
		Base 508-562 incl.	526-020-03/06	0°	
Tricolour lamp/White, Quick fit. 12V/24V	For boats LOA <20 m	Base 508-560 incl.	526-021-02/05	15°	531-007
		Base 508-562 incl.	526-021-03/06	0°	



Windex light

Masthead lights, LED Aquasignal 34 12/24V


Item	Size of boat	Fitting	Art. No.	Type of masthead	Required cable Art. No.
Anchor light	For boats LOA <50 m Visibility 2nm	Base 508-560 incl.	526-036-02	15°	531-038
		Base 508-562 incl.	526-036-03	0°	
Tricolour light	For boats LOA <20 m Visibility 2nm	Base 508-560 incl.	526-075-02	15°	531-038
		Base 508-562 incl.	526-075-03	0°	
Anchor light and Tricolour light	For boats LOA <20 m Visibility 2nm	Base 508-560 incl.	526-038-02	15°	531-037
		Base 508-562 incl.	526-038-03	0°	
Steaming light with anchor light	For boats LOA <20 m Visibility 2nm	Base 508-560 incl.	526-070-02	15°	531-037
		Base 508-562 incl.	526-070-03	0°	



Aquasignal 34




Spreader light, LED for T-spreaders (see page 30)

Black anodized with circular light beam. LED 3,6W, 12/24V. Ref. Installation manual, 595-326-E

Item	Spreader	Art. No.	Kit includes	Additional parts	
	Flood light	T90-T131	526-182-01	1 light with housing and 1 m cable , screws, fairlead 508-609, pop-rivets, Male 3-pole socket 532-031	Female socket to fit on the mast: 532-030-03 Cable for installation in mast: 531-038 (2x0,5 mm2) Max length 12V: 19 m 24V: 74 m
	Up-light	526-182-02			
	Flood light and Up-light		526-182-03	2 lights with housing and 1 m cable , screws, fairlead 508-609, pop-rivets, Male 3-pole socket 532-031, cable terminals, heat shrink.	Female socket to fit on the mast: 532-030-03 Cable for installation in mast: 531-037 (3x0,5 mm2) Max length 12V: 14 m 24V: 60 m

Flood light and steaming light,LED

Recommended position: 27% of FH

Item	Size of boat	Fitting	Art. No.	Required Cable, Art. No.
 Steaming light Hella Naviled Pro	LOA < 20 m Visibility 3nm	Base 535-614 (nylon) and self-tapping screws included.	526-081-01	15 m cable included
 Steaming light Hella Naviled Pro	LOA < 50 m Visibility 5nm	Base 523-047 (alu) and 3-pole male- and female connectors included	526-073-01	15 m cable included
 Steaming light with flood light (Hella/Cabin)	LOA < 20 m Visibility 3nm	Base 535-614 and self tapping screws included	526-081-02	15 m cable included

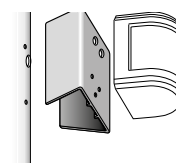
Flood light and steaming light

Item	Size of boat	Fitting	Art. No.	Remarks	Required cable Art. No.
Flood light, 12V/35W	All masts, front mounted	Black housing	526-156-01*	Pop rivets incl.	513-006
Flood light, 24V/50W			526-156-02*		
Flood light, 12V/35W		White housing	526-156-03*		
Flood light, 24V/50W			526-156-04*		
Steaming lights, 12V/10W Aquasignal 25	For boats LOA <7 m (Scandinavia) <12 m (international)	Base 508-566 incl.	526-015-01		531-003
Steaming lights, 12V/25W Aquasignal 41. Black composite	For boats LOA <12 m (Scandinavia) <20 m (international)	Base 508-614 incl.	526-009-03	Screws incl.	531-006
Steaming lights, 24V/25W Aquasignal 41. Black composite			526-009-04		
Steaming lights, 12V/25W Aquasignal 50. Stainless steel	For boats LOA <20 m	Protection loop 508-519 incl.	526-002-01	Fasteners incl.	
Steaming lights, 24V/25W Aquasignal 50. Stainless steel			526-002-02		
Protection loop, alum. (2 pcs) Aquasignal 50	For use with Aquasignal steaming lights		508-519-02		
Protection loop, stainless steel	E274, C304, F305 and bigger		508-172-01		

* Light insert: 12V (Art. No. 532-154), 28V (Art. No. 532-155).
O-ring for flood lights Art. No. 530-365.



Steaming light 526-009-03 and flood light 526-156-01

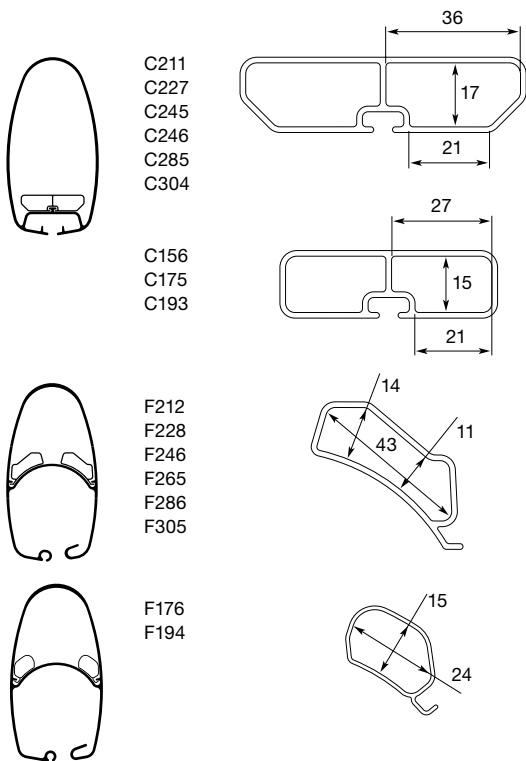


Nylon base for flood light. Suits most lights and mast sections. Art. No. 535-614.

Retro-fitting cables

For all D-sections, E-sections, P-sections and R-sections, please see our instruction "Running cables" 595-557-E. Also available from www.seldenmast.com.

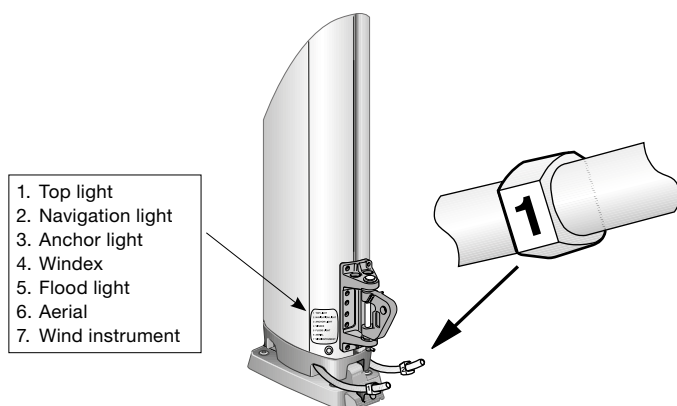
Cable conduits



Cables and dimensions

Light	Effect	Cable length, m	Required cable area, mm ²
Anchor light	10W	0-33	1.5
		33-55	2.5
Steaming lights and navigation lights	10W	0-13	1.5
		13-22	2.5
	25W	0-5	1.5
		5-9	2.5
Floodlight	45W	9-14	4
		7-12	2.5
		12-20	4

All Seldén masts have a cable identification to facilitate connection when stepping the mast.



Cable for:	Cable area, mm ²	Art. No.	Remarks
Wind instrument	10 x 0.25	531-012	Ø 7.3 mm
Windex light, anchor light and steaming lights	2 x 1.5	531-003	Ø 6.9 mm
Tricolour/white/strobe	4 x 2.5	531-018	Ø 8.6 mm
Tricolour lamp, flood-light and steaming lights	2 x 2.5	531-006	Ø 7.6 mm
Tricolour lamp/white, anchor and steaming lights	3 x 2.5	531-007	Ø 8.1 mm
Aerial	RG 213U	531-010	50 ohm (min. for VHF-radio according to German standard) Ø 10.2 mm (Cable terminal Art. No. 532-021)
	RG 58U	531-024	50 ohm, Ø 5.4 mm (Cable terminal Art. No. 532-023)



Cable support

Protects the cable from wear in the exit area. Lead the cable out through a \varnothing 14 mm hole, jam the support onto the cable and plug the hole. Max cable size: 2 x 2.5 mm² (\varnothing 7.6 mm). Art. No. 532-105.

