
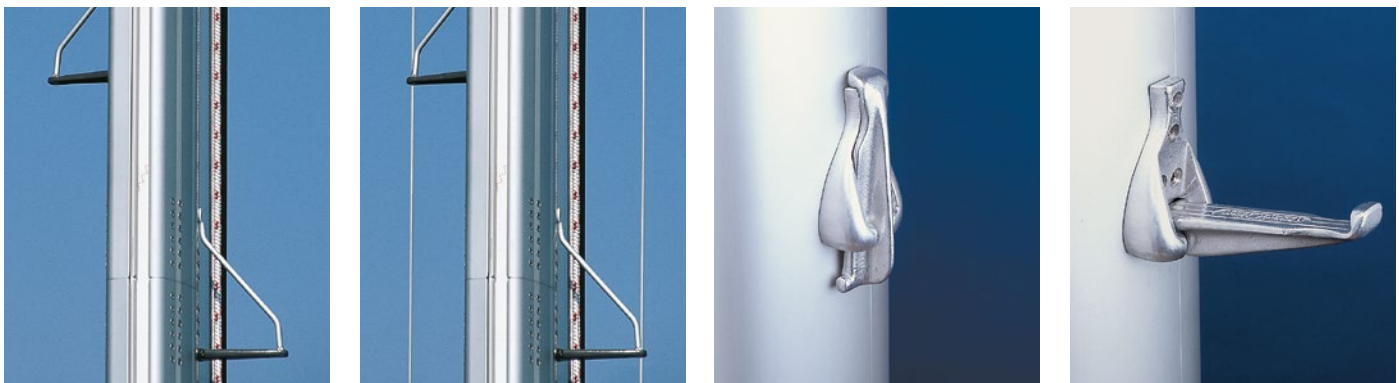


**Mast climbing steps  
– for extra climbing safety**

Mast climbing steps are an easily fitted safety feature. Seldén mast climbing steps are available as fixed steps (an outer guard wire can be used for extra safety) or as foldable climbing steps. The well-rounded shape of the foldable steps reduces windage and sail chafe.

 Always use a safety harness when working aloft.



**Climbing steps, fixed**

| Art. No.   | Radius | Mast section   |
|------------|--------|--|
| 508-539-01 | R155   | E138-E274<br>D121-D160   |
| 508-565-01 | R300   | C321, E365<br>All furling masts<br>All C-sections and F-sections |

**Climbing steps, foldable**

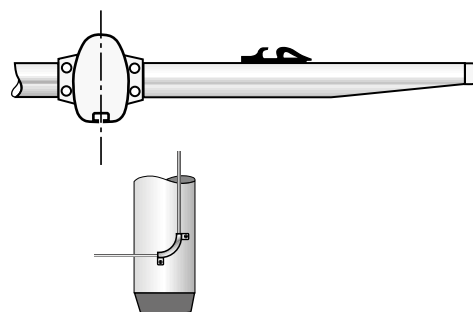
| Art. No.   | Radius | Mast section                    | Remarks                                 |
|------------|--------|---------------------------------|---|
| 508-183-03 | R290   | All furling masts<br>C321, E365 | Incl. screw, for wall thickness > 4 mm  |
| 508-183-04 |        | All C-sections                  | Incl. rivets, for wall thickness < 5 mm |
| 508-185-03 | R122   | E170-E274<br>D137-D160          | Incl. screw, for wall thickness > 4 mm  |
| 508-185-04 |        |                                 | Incl. rivets, for wall thickness < 5 mm |

**Hint:** With a foldable mast step 0.5 m up from deck, it will be a lot easier to attach the halyard to the head of the mainsail.

**Cutter stay spreader hook  
Cutter stay stowage bracket**

With a Seldén cutter stay spreader hook mounted on the spreader, and a cutter stay stowage bracket mounted on the mast, your cutter stay will always be ready for use, stand-by secured by its pelican hook (or similar) to a deck bracket. Safely out of the way until you actually need it!

The hook can also be used to park a halyard.



Cutter stay spreader hook, Art. No. 508-190-01.

Cutter stay stowage bracket, Art. No. 508-225-01.