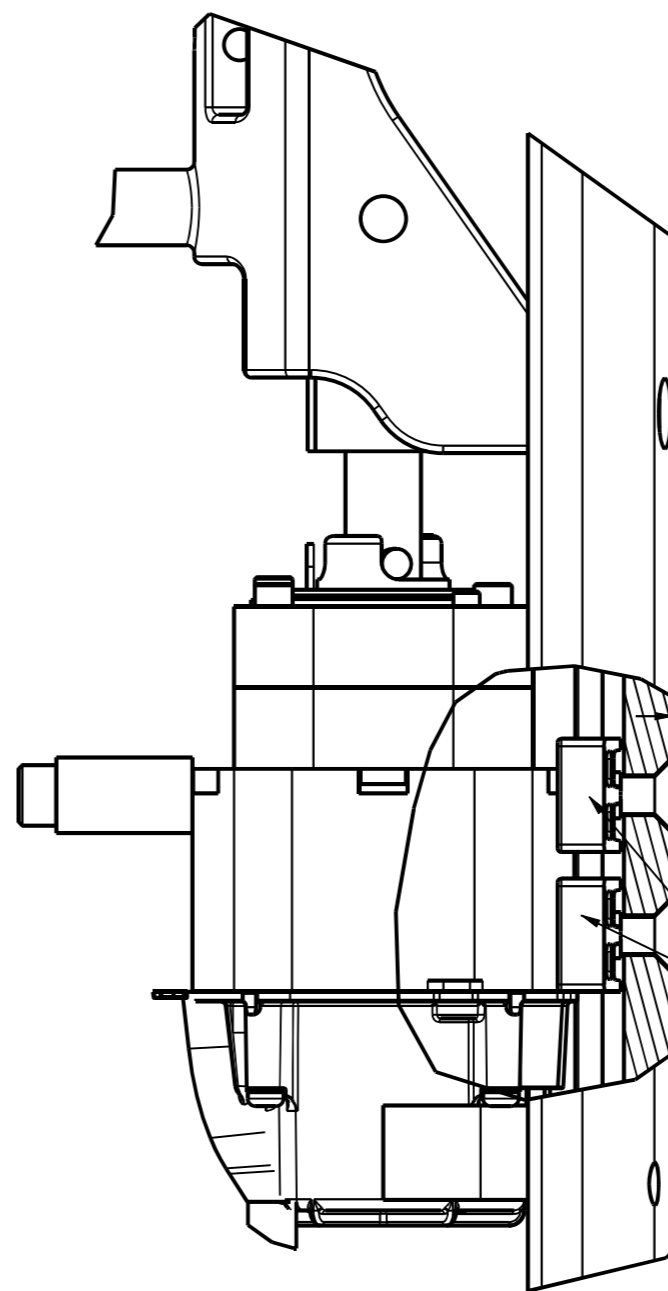
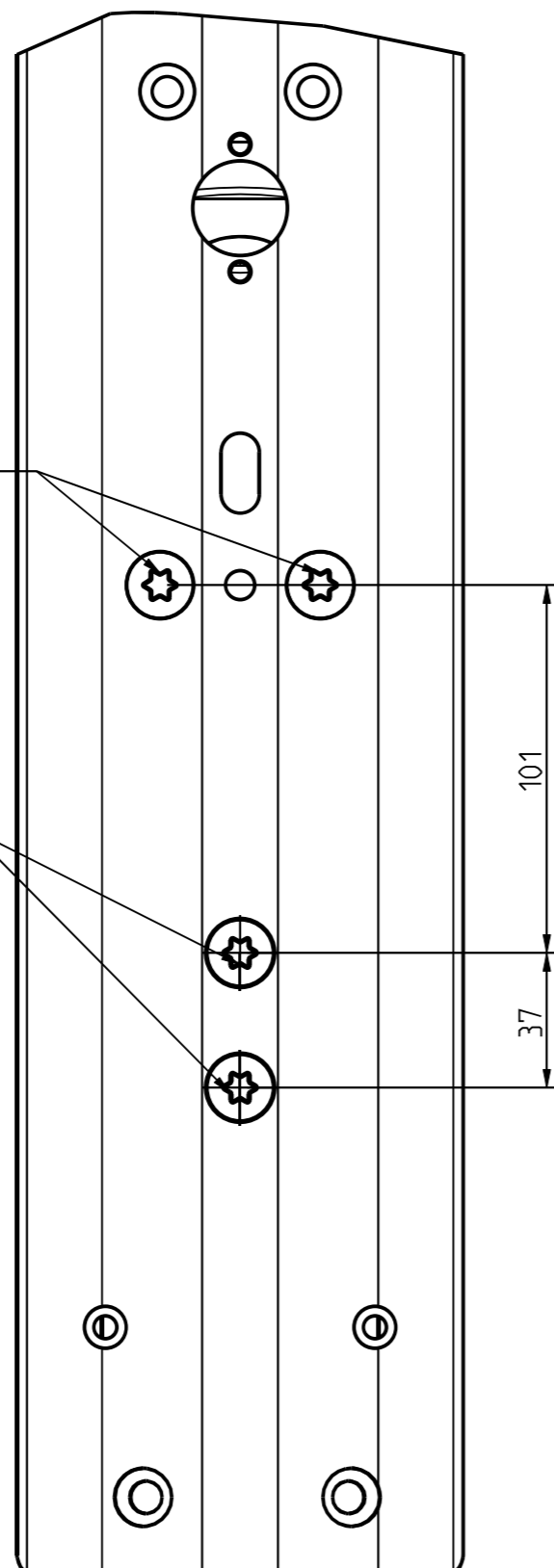


Screw MFT10x60 in existing holes
Medium strong locking adhesive

Drill and countersink for
2x MFT10.
Custom length acc to table;

MAST	LENGTH
F228	30
F246	34
F265	41
F286	46
F305	51
F324	58
R232	34
R260	40
R290	41



Screw head just below flush
Medium strong locking adhesive
Marine adhesive sealant in cover holes

2x Support 508-495-50

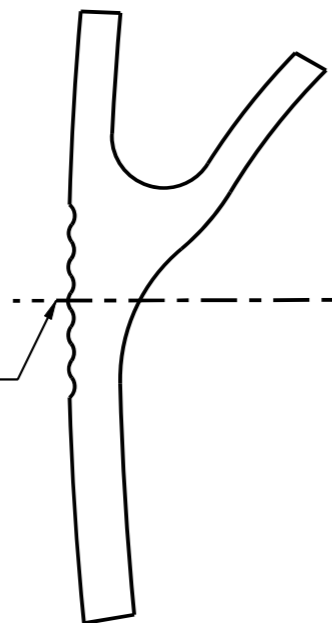
A-A



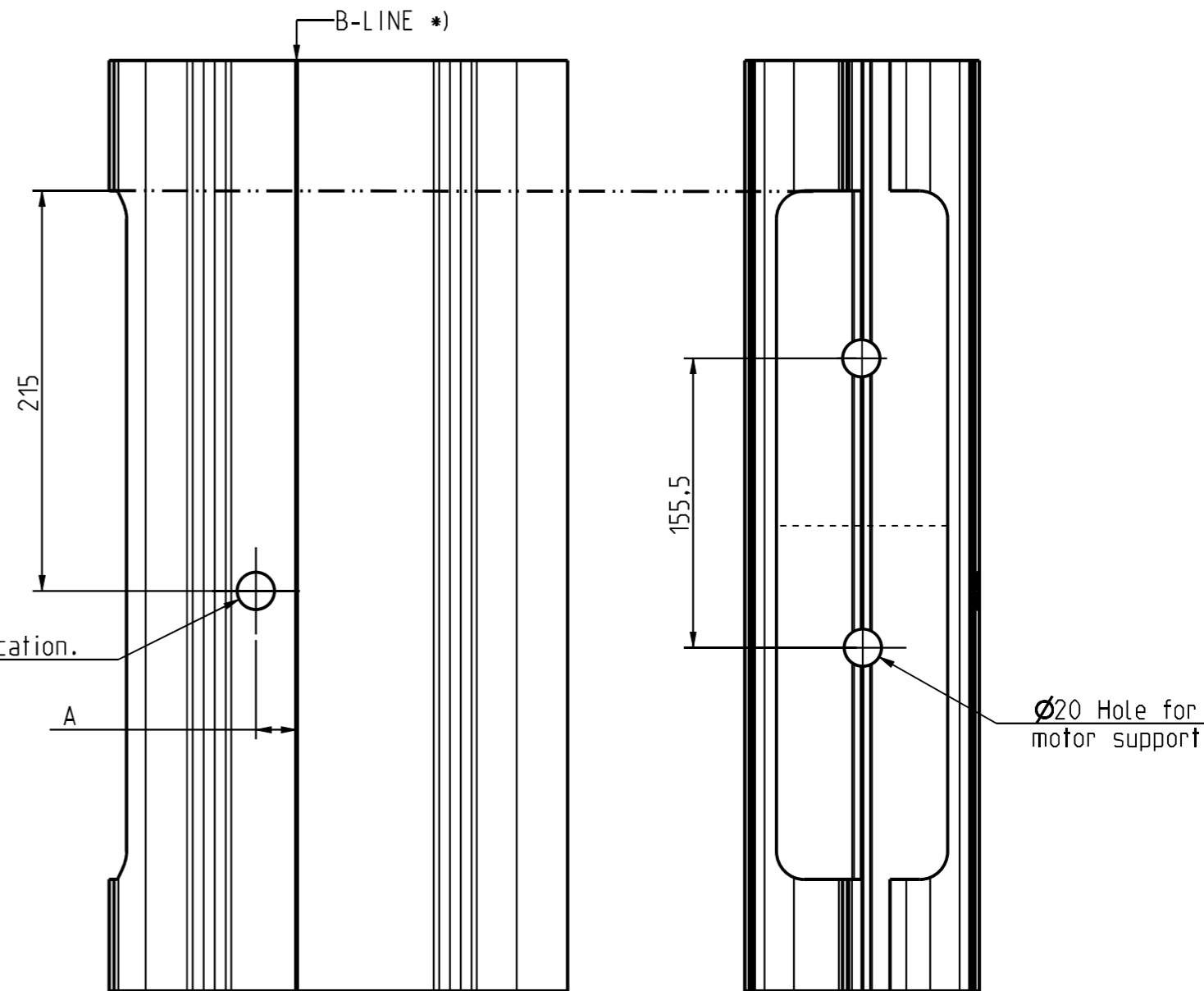
FURLIN RB & RC ELECTRIC
FOR FLN EL MK1 REPLACEMENT
MOUNTING INSTRUCTION

Date	Release	First angle projection	Scale	Revision	Part No.
2021-03-23	Production		1:2	1	597-846

*) Masts R232, R260, R290:
B-LINE is center ridge



STARBOARD SIDE



MAST	A
F228	18
F246	22
F265	21
F286	24
F305	26
F324	25
R232	15
R260	40
R290	55



FURLIN RB & RC ELECTRIC
FOR FLN EL MK1 REPLACEMENT
MOUNTING INSTRUCTION

Date	Release	First angle projection	Scale	Revision	Part No.
2021-03-23	Production		3:10	1	597-846