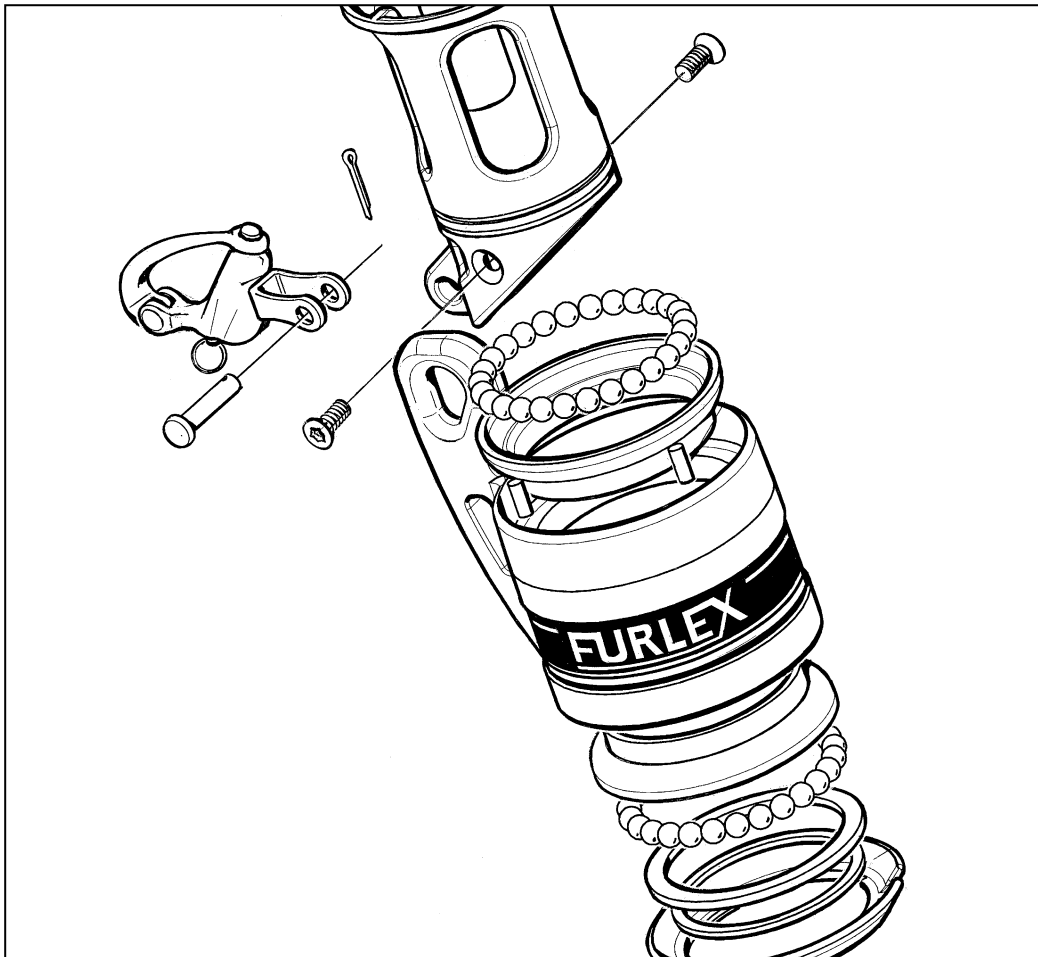


**FURLEX**

 **SELDÉN**

## Spare Parts List

### Furlex *200S & 300S*



 **SELDÉN**

### Bäste Furlex-ägare

Furlex säljs genom ett nät av auktoriserade återförsäljare som täcker alla marina marknader runt om i världen.

Auktorisationen omfattar praktisk och teoretisk utbildning i hur Furlex-systemet är uppbyggt.

Denna kunskap innebär professionell service till Dig som Furlex-ägare.

Vi önskar dig mycket skön segling och hoppas att denna reservdelslista kan vara till nytta om du någon gång behöver kontakta en återförsäljare för professionella råd eller assistans.

### Dear Furlex-owner

Furlex is supplied via an extensive network of authorized dealers who cover the major sailing areas of the world.

The authorization ensures that each dealer is fully versed in the design, assembly and operation of Furlex - and is a guarantee of professional service. We wish you much enjoyable and carefree sailing and hope that this spare parts list will be of help if you ever require professional advice or assistance.

### Lieber Furlex-Eigner

Furlex wird über ein Netz autorisierter Fachhändler weltweit in allen Segelregionen verkauft.

Die Autorisierung dieser Fachhändler erfolgt durch eine theoretische und praktische Schulung im Aufbau des Furlex-Systems.

Dieses Können gewährleistet Ihnen als Furlex-Besitzer professionellen Service.

Wir wünschen Ihnen ein angenehmes Segeln und hoffen, daß Ihnen dieses Ersatzteilverzeichnis hilft bei eventuellem Bedarf eines Rates oder professioneller Hilfe.



#### OBS!

**Plocka ej isär fallsvirveln eller nedre lagringsdelen. Det kan vara svårt att återmontera dessa delar på ett korrekt sätt. Bland annat ligger lagerbanornas kulor löst monterade. Vid behov av service, kontakta din Furlexåterförsäljare.**



#### NOTE!

**Do not dismantle the halyard swivel or lower bearing assembly. You will find it difficult to re-assemble them correctly (the ball-bearings are loose and difficult to refit!). Contact your Furlex dealer if service is required.**



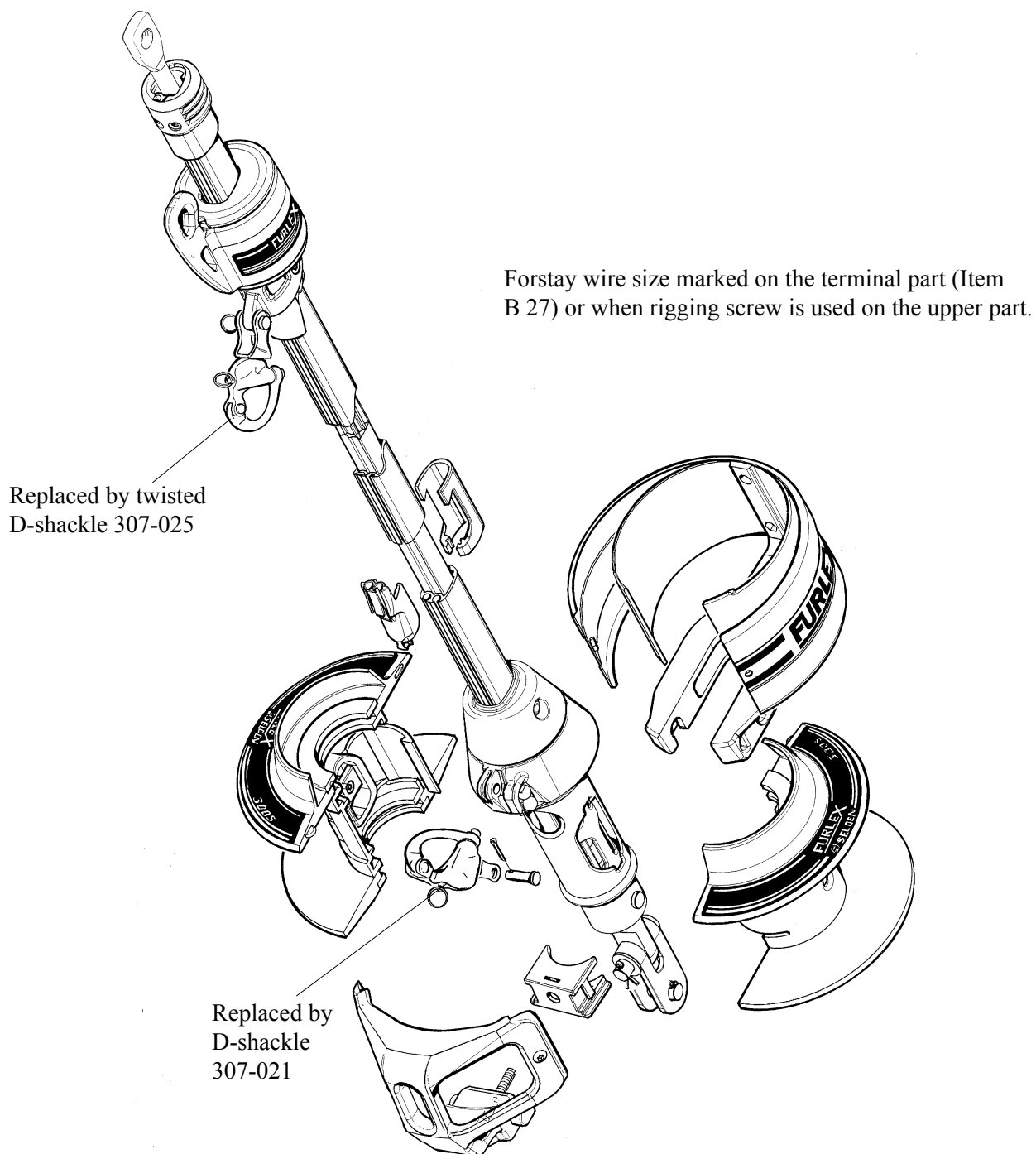
#### ACHTUNG!

**Nehmen Sie den Fallschlitten oder die untere Lagerung nicht auseinander. Es ist schwer diese wieder korrekt zu montieren. Unter anderem liegen die Kugeln lose montiert. Wenden Sie sich bei Bedarf an Ihren Furlex- Händler.**

Seldén Mast AB reserves the right to alter the design or specification without prior warning; to allow unrestricted future product development.

# Contents

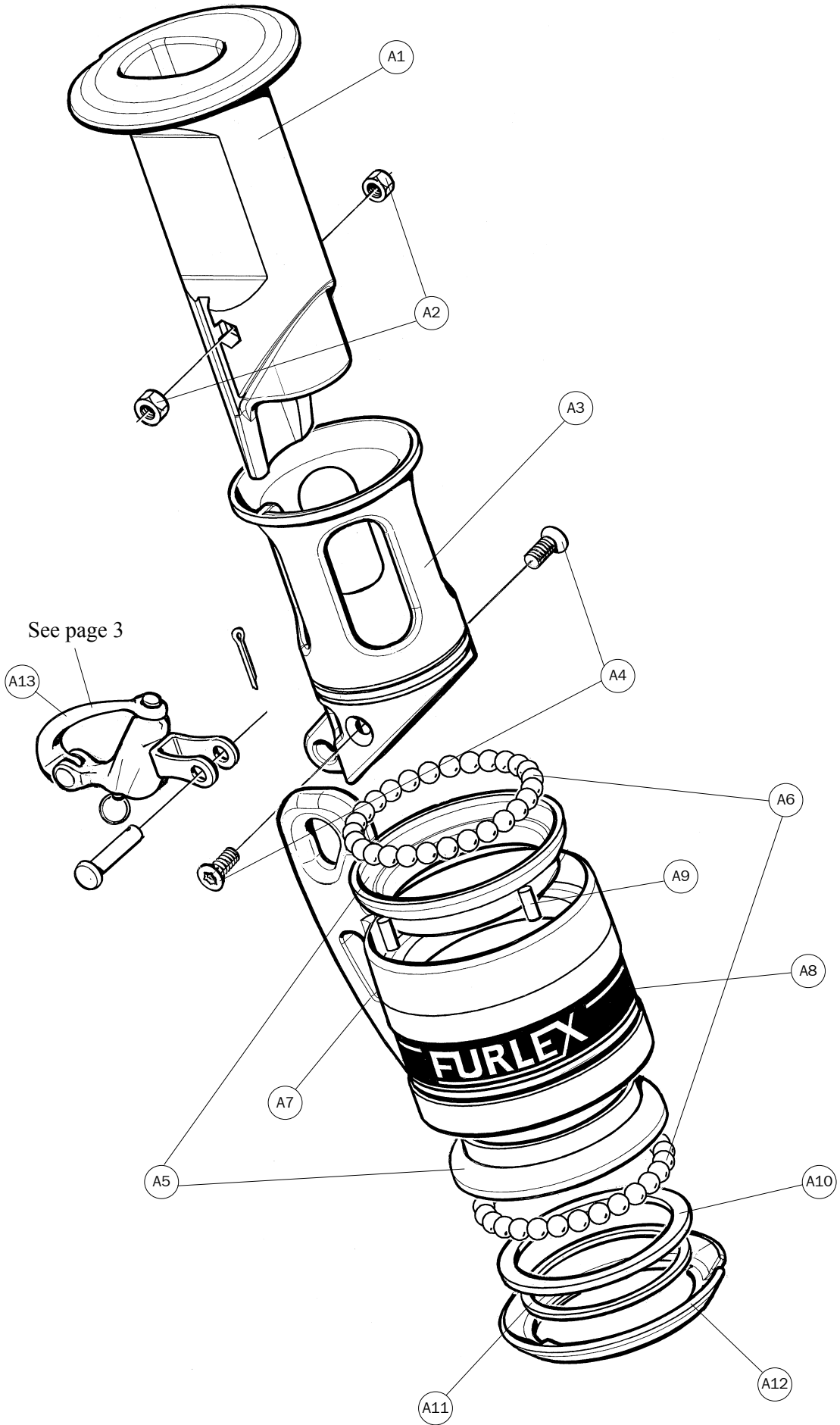
	Page
Halyard swivel	4
Lower swivel	6
Rigging screw	8
Line drum half	10
Line guard bracket assembly	11
Line guide fitting assembly	11
Luff extrusions	12
Additional items	14



# Halyard swivel

# Description A

		Serie 200					Serie 300			
				Forestay wire size					Forestay wire size	
Item	Description	Dimension	Qty	Ø6mm	Ø7mm	Ø8mm	Dimension	Qty	Ø8mm	Ø10mm
		<b>Assembly number</b> →		<b>539-581-01</b>	<b>539-581-01</b>	<b>539-581-01</b>	<b>Assembly number</b> →		<b>539-281-01</b>	<b>539-281-01</b>
A1	Sliding sleeve	Ø74x162	1	539-582	539-582	539-582	Ø90x173	1	539-282	539-282
A2	Locking nut	M6	2	158-005	158-005	158-005	M6	2	158-005	158-005
A3	Hub	Ø52x120	1	539-581	539-581	539-581	Ø62x130	1	539-281	539-281
A4	Screw	MFT 6x12	2	162-030	162-030	162-030	MFT 6x12	2	162-030	162-030
A5	Ball bearing ring-outer	Ø68/52-16	2	539-272	539-272	539-272	Ø83/64-16	2	539-270	539-270
A6	Balls	Ø6	2X30	539-034	539-034	539-034	Ø8	2x27	539-128	539-128
A7	Eye ring	77x105	1	539-583 <sup>1)</sup>	539-583 <sup>1)</sup>	539-583 <sup>1)</sup>	91x118	1	539-283 <sup>1)</sup>	539-283 <sup>1)</sup>
A8	Label	18x213	1	591-398	591-398	591-398	24x251	1	591-397	591-397
A9	Buffer	Ø5x8	3	319-656	319-656	319-656	Ø5x8	3	319-656	319-656
A10	Washer	Ø62/52-3	1	164-441	164-441	164-441	Ø74/62-3	1	164-440	164-440
A11	Clip ring	MST 204	1	301-508	301-508	301-508	MST 243	1	301-507	301-507
A12	Cover	Ø77x5	1	539-578	539-578	539-578	Ø88x8	1	539-278	539-278
A13	Twisted Shackle	42 mm	1	307-025	307-025	307-025	42 mm	1	307-025	307-025
<sup>1)</sup>	Only as an assembly A7-A8		1	539-583-01	539-583-01	539-583-01	-	1	539-283-01	539-283-01



## Lower swivel

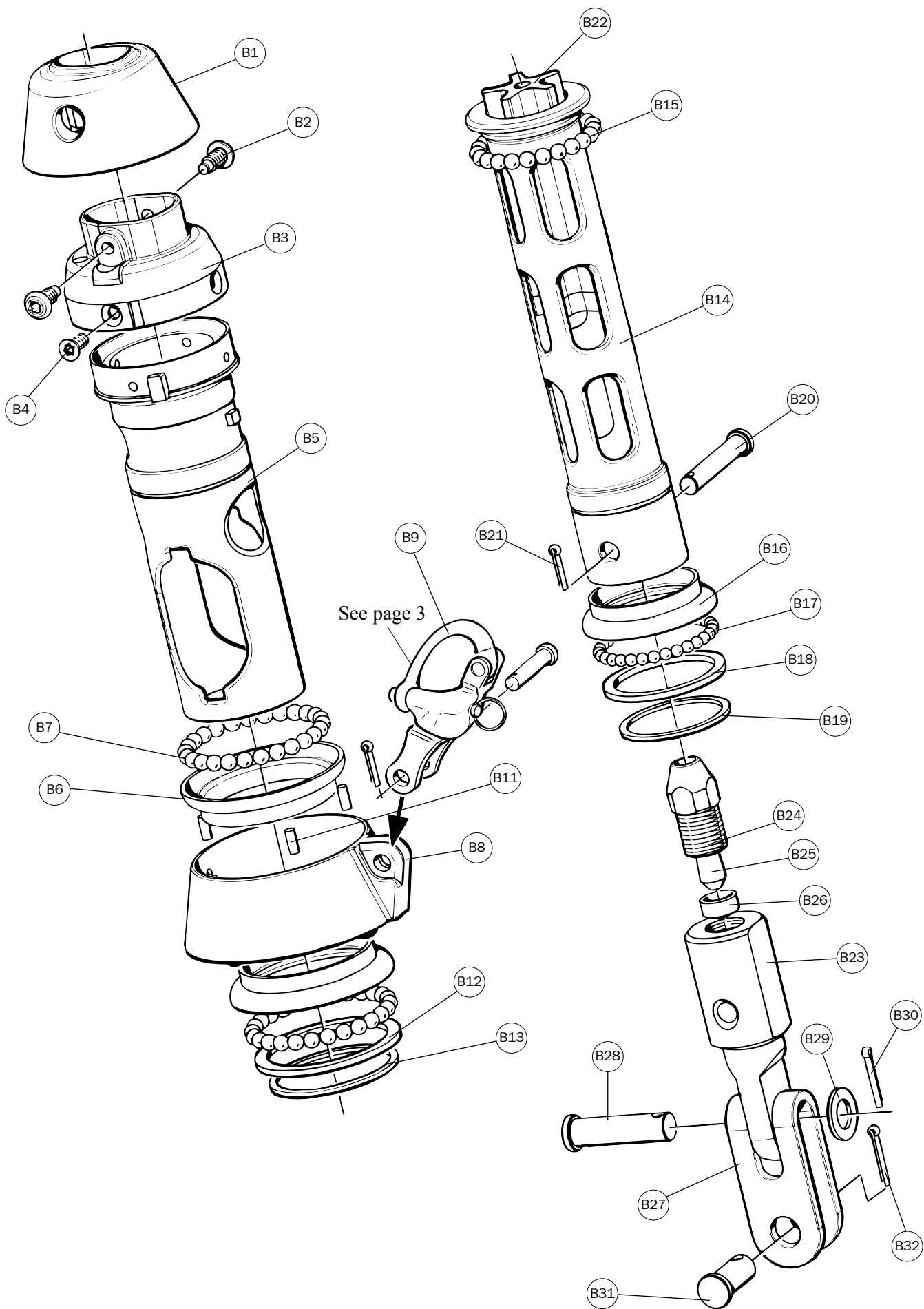
## Description B

Item	Description	Serie 200					Serie 300			
		Dimension	Qty	Forestay wire size			Dimension	Qty	Forestay wire size	
				Ø6mm	Ø7mm	Ø8mm			Ø8mm	Ø10mm
		<b>Assembly number</b> →		<b>539-551-01</b>	<b>539-551-01</b>	<b>539-551-01</b>	<b>Assembly number</b> →		<b>539-251-02</b>	<b>539-251-02</b>
B1	Adapter	Ø78x40	1	539-554	539-554	539-554	Ø90x44	1	539-254	539-254
B2	Screw (machined)	MRT 6x19	2	155-823	155-823	155-823	MRT 8x20	2	155-822	155-822
B3	Carrier	Ø73x44	1	539-553 <sup>2)</sup>	539-553 <sup>2)</sup>	539-553 <sup>2)</sup>	Ø90x50	1	539-253 <sup>2)</sup>	539-253 <sup>2)</sup>
B4	Screw	MFT 5x10	4	162-064	162-064	162-064	MFT 6x12	4	162-030	162-030
B5	Hub	Ø52x147	1	539-552 <sup>2)</sup>	539-552 <sup>2)</sup>	539-552 <sup>2)</sup>	Ø62x186	1	539-252 <sup>2)</sup>	539-252 <sup>2)</sup>
B6	Ball bearing ring-outer	Ø68/52-16	2	539-272	539-272	539-272	Ø83/64-16	2	539-270	539-270
B7	Ball	Ø6	2x30	539-034	539-034	539-034	Ø8	2x27	539-128	539-128
B8	Tackring	Ø105x40	1	539-556	539-556	539-556	Ø120x61	1	539-297	539-297
B9	D-Shackle	32 mm	1	307-021	307-021	307-021	32 mm	1	307-021	307-021
B11	Buffer	Ø5x8	3	319-656	319-656	319-656	Ø5x8	3	319-656	319-656
B12	Washer	Ø62/52-37	1	164-441	164-441	164-441	Ø74/62-3	1	164-440	164-440
B13	Clip ring	MST 204	1	301-508	301-508	301-508	MST 243	1	301-507	301-507
B14	Shaft	Ø58/42-194	1	539-551	539-551	539-551	Ø62/52-250	1	539-251	539-251
B15	Ball	Ø6	28	539-034	539-034	539-034	Ø8	22	539-128	539-128
B16	Ball bearing ring-outer	Ø57/50-15	1	539-521	539-521	539-521	Ø68/52-16	1	539-272	539-272
B17	Ball	Ø6	26	539-034	539-034	539-034	Ø6	30	539-034	539-034
B18	Washer	Ø52/42-3	1	164-443	164-443	164-443	Ø62/52-3	1	164-441	164-441
B19	Clip ring	MST 173	1	301-510	301-510	301-510	MST 204	1	301-508	301-508
B20	Clevis pin	Ø8x50	1	165-108	165-108	165-108	Ø10x58	1	165-213	165-213
B21	Split pin	2,3x12	1	301-047	301-047	301-047	2,3x16	1	301-048	301-048

<sup>2)</sup>	Only as an assembly B3-B5	1	539-552-01	539-552-01	539-552-01	-	1	539-252-01	539-252-01
---------------	---------------------------	---	------------	------------	------------	---	---	------------	------------

		<b>Assembly number</b> →		<b>301-601-11</b>	<b>301-602-11</b>	<b>301-603-11</b>	<b>Assembly number</b> →		<b>301-604-11</b>	<b>301-605-11</b>
B22	Distance bearing <sup>1)</sup>	Ø36/6,6x120	1	539-518	-	-	Ø41/8,6x125	1	539-284	-
B22	Distance bearing <sup>1)</sup>	Ø36/7,7x120	1	-	539-519	-	Ø41/10,6x125	1	-	539-288
B22	Distance bearing <sup>1)</sup>	Ø36/8,8x120	1	-	-	539-520	-	-	-	-
B23	Terminal part	Ø36x106	1	301-601 <sup>2)</sup>	-	-	Ø42x124	1	301-604 <sup>2)</sup>	-
B23	Terminal part	Ø36x109	1	-	301-602 <sup>2)</sup>	-	Ø42x125	1	-	301-605 <sup>2)</sup>
B23	Terminal part	Ø36x104	1	-	-	301-603 <sup>2)</sup>	-	-	-	-
B24	Socket	Sta Lok Wire Ø6	1	301-194	-	-	Sta Lok Wire Ø8	1	301-196	-

(To be continued on page 8)



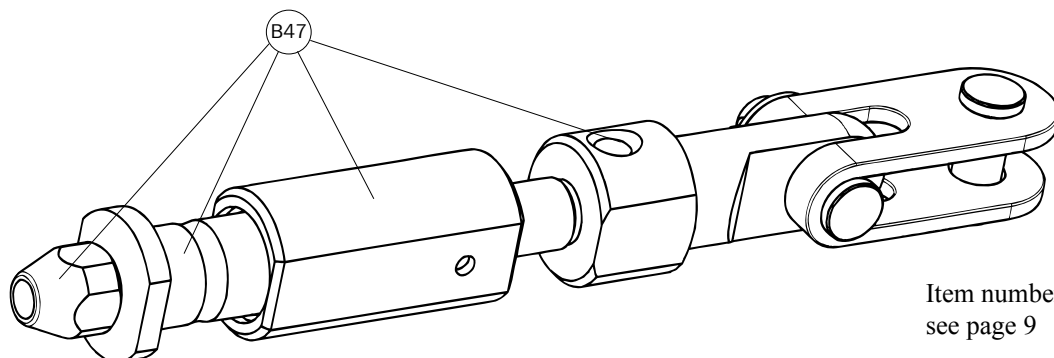
# Lower swivel (Continued from page 6)

# Description B

Item	Description	Serie 200					Serie 300			
		Dimension	Qty	Forestay wire size			Dimension	Qty	Forestay wire size	
				Ø6mm	Ø7mm	Ø8mm			Ø8mm	Ø10mm
B24	Socket	Sta Lok Wire Ø7	1	-	301-195	-	Sta Lok Wire Ø10	1	-	301-197
B24	Socket	Sta Lok Wire Ø8	1	-	-	301-196	-	-	-	-
B25	Wedge	L=33	1	301-152	-	-	L=42	1	301-154	-
B25	Wedge	L=36	1	-	301-153	-	L=50	1	-	301-155
B25	Wedge	L=42	1	-	-	301-154	-	-	-	-
B26	Former	Ø13,4	1	301-157	-	-	Ø16,3	1	301-159	-
B26	Former	Ø14,8	1	-	301-158	-	Ø19,2	1	-	301-163
B26	Former	Ø16,3	1	-	-	301-159	-	-	-	-
B27	Toggle fork/fork	H(c/c)=40	1	517-046 <sup>3)4)</sup>	-	-	H(c/c)=50	1	517-048 <sup>3)4)</sup>	-
B27	Toggle fork/fork	H(c/c)=40	1	-	517-047 <sup>3)4)</sup>	-	H(c/c)=55	1	-	517-060 <sup>3)4)</sup>
B27	Toggle fork/fork	H(c/c)=50	1	-	-	517-048 <sup>3)4)</sup>	-	-	-	-
B28	Clevis pin	Ø12x37	1	165-409 <sup>4)</sup>	165-409 <sup>4)</sup>	-	Ø14x49	1	165-503 <sup>4)</sup>	-
B28	Clevis pin	Ø14x49	1	-	-	165-503 <sup>4)</sup>	Ø16x50	1	-	165-552 <sup>4)</sup>
B29	Washer	Ø24/13-2,5	1	164-404 <sup>4)</sup>	164-404 <sup>4)</sup>	-	Ø24/14-2	2	164-420 <sup>4)</sup>	-
B29	Washer	Ø24/14-2	2	-	-	164-420 <sup>4)</sup>	Ø30/17-3	2	-	164-410 <sup>4)</sup>
B30	Split pin	Ø2,9x16	1	301-049 <sup>4)</sup>	-	-	Ø3,7x20	1	301-053 <sup>4)</sup>	301-053 <sup>4)</sup>
B30	Split pin	Ø2,9x18	1	-	301-050 <sup>4)</sup>	-	-	-	-	-
B30	Split pin	Ø3,7x20	1	-	-	301-053 <sup>4)</sup>	-	-	-	-
B31	Clevis pin	Ø10x22	1	165-202 <sup>3)4)</sup>	-	-	Ø14x31	1	165-501 <sup>3)4)</sup>	-
B31	Clevis pin	Ø12x25	1	-	165-401 <sup>3)4)</sup>	-	Ø16x34	1	-	165-560 <sup>3)4)</sup>
B31	Clevis pin	Ø14x31	1	-	-	165-501 <sup>3)4)</sup>	-	-	-	-
B32	Split pin	Ø2,9x16	1	301-049 <sup>3)4)</sup>	-	-	Ø3,7x20	1	301-053 <sup>3)4)</sup>	301-053 <sup>3)4)</sup>
B32	Split pin	Ø2,9x18	1	-	301-050 <sup>3)4)</sup>	-	-	-	-	-
B32	Split pin	Ø3,7x20	1	-	-	301-053 <sup>3)4)</sup>	-	-	-	-

## Rigging screw

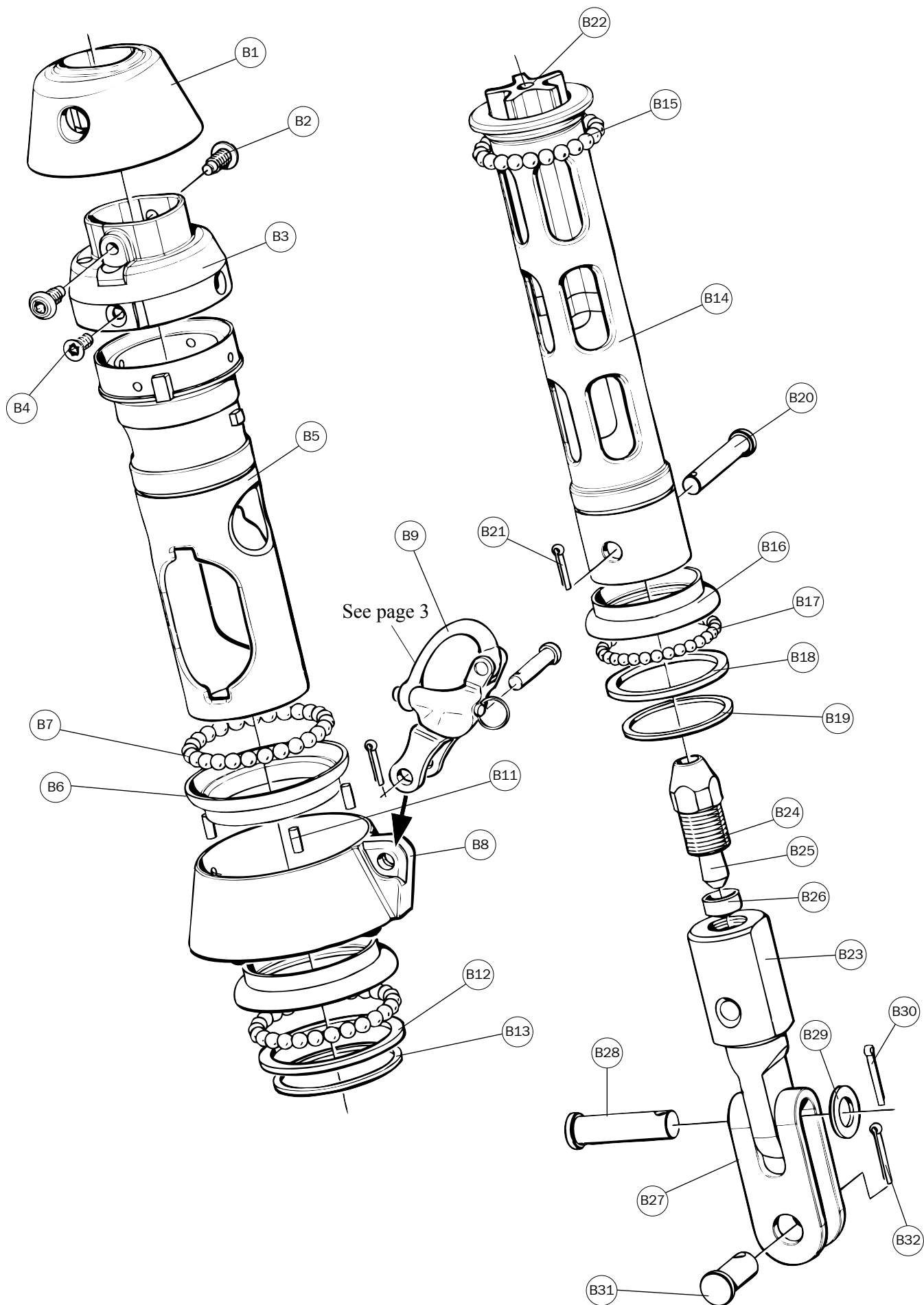
B47	Rigging screw	-	-	174-536-11	174-537-11	174-538-11	-	-	174-519-11	174-520-11
-----	---------------	---	---	------------	------------	------------	---	---	------------	------------



Item number:  
see page 9

1)	To be excluded when riggingscrew is used									
2)	Only as an assembly B23-B32	1	301-601-11	301-602-11	301-603-11	-	1	301-604-11	301-605-11	
3)	Also as an assembly B27, B31-B32	1	517-046-01	517-047-01	517-048-01	-	1	517-048-01	517-060-03	
4)	Also as an assembly B27-B32	1	517-046-02	517-047-02	517-048-02	-	1	517-048-02	517-060-04	

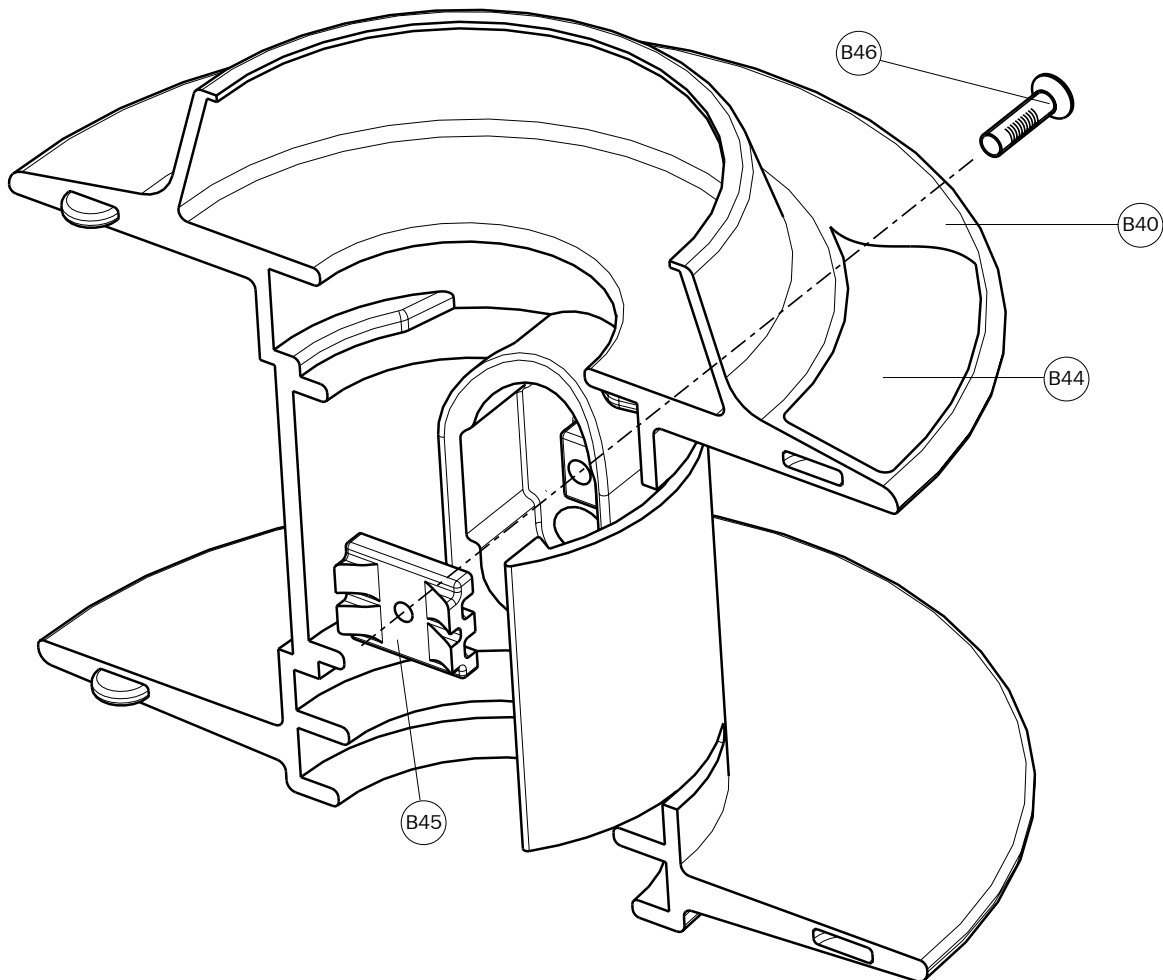




# Line drum half

# Description B

Item	Description	Serie 200					Serie 300			
		Dimension	Qty	Forestay wire size			Dimension	Qty	Forestay wire size	
		Assembly number →		Ø6mm	Ø7mm	Ø8mm	Assembly number →		Ø8mm	Ø10mm
B40	Line drum half	Ø180x111	1	539-557 <sup>1)3)</sup>	539-557 <sup>1)3)</sup>	539-557 <sup>1)3)</sup>	Ø210x156	1	539-250 <sup>1)2)</sup>	539-250 <sup>1)2)</sup>
B44	Label	21x170	2	591-369	591-369	591-369	27x204	2	591-358	591-358
B45	Furling line lock	22x27	1	539-256	539-256	539-256	22x27	1	539-256	539-256
B46	Screw	MFT 5x16	1	162-029	162-029	162-029	MFT 5x20	1	162-026	162-026
<sup>1)</sup>	Only as an assembly B40-B44		1	539-557-02	539-557-02	539-557-02	-	1	539-250-02	539-250-02
<sup>2)</sup>	MkI Drum half 539-257-01/-02 to be replaced by complete drum								539-250-03	539-250-03
<sup>3)</sup>	Only as complete drum		1	539-557-04	539-557-04	539-557-04	-	-	-	-



# Lineguard bracket assembly

# Description C

Item	Description	Serie 200					Serie 300			
		Dimension	Qty	Forestay wire size			Dimension	Qty	Forestay wire size	
				Ø6mm	Ø7mm	Ø8mm			Ø8mm	Ø10mm
		<b>Assembly number →</b>		<b>539-559-01</b>	<b>539-559-01</b>	<b>539-559-01</b>	<b>Assembly number →</b>		<b>539-259-01</b>	<b>539-259-01</b>
C1	Line guard bracket	190x82	1	539-559 <sup>1)</sup>	539-559 <sup>1)</sup>	539-559 <sup>1)</sup>	211x30	1	539-259 <sup>1)</sup>	539-259 <sup>1)</sup>
C3	Cover	Ø182-78	1	539-580 <sup>2)</sup>	539-580 <sup>2)</sup>	539-580 <sup>2)</sup>	Ø200-96	1	539-280 <sup>2)</sup>	539-280 <sup>2)</sup>
C4	Line Guard	132X78	1	539-571	539-571	539-571	159X97	1	539-271	539-271
C5	Line Guard saver	9/8-77	2	539-028	539-028	539-028	9/8-95	2	539-225	539-225
C6	Screw	MRT 6X14	1	155-623	155-623	155-623	MRT 6X14	1	155-623	155-623
C7	Locking nut	M6	1	158-005	158-005	158-005	M6	1	158-005	158-005
C8	Pop rivet	Ø4,8X11,2	1	167-030	167-030	167-030	Ø4,8X11,2	1	167-030	167-030
C9	Washer	Ø10/5,3-1	1	164-426	164-426	164-426	Ø10/5,3-1	1	164-426	164-426
C10	Label	22X210	2	591-368	591-368	591-368	28X238	2	591-359	591-359

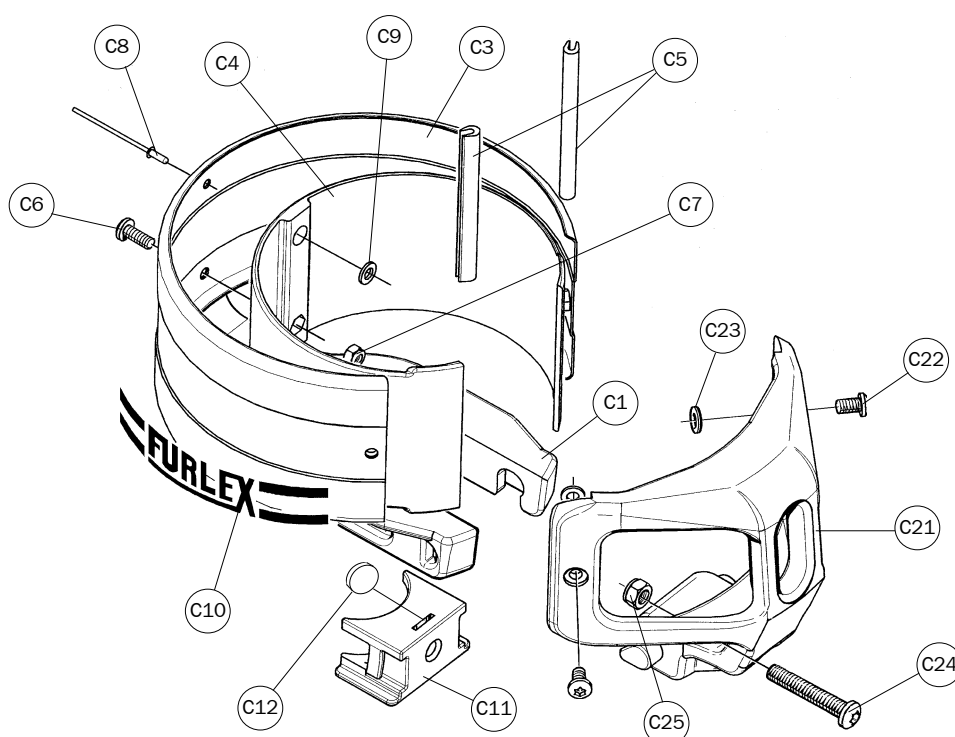
<sup>1)</sup>	Only as an assembly C1, C6-C7	1	539-559-02	539-559-02	539-559-02	-	1	539-259-02	539-259-02
<sup>2)</sup>	Only as an assembly C3-C10	1	539-580-01	539-580-01	539-580-01	-	1	539-280-01	539-280-01

		<b>Assembly number →</b>		<b>539-577-01</b>	<b>539-577-01</b>	<b>539-577-01</b>	<b>Assembly number →</b>		<b>539-277-01</b>	<b>539-277-01</b>
C11	Lockblock	42X24	1	539-577	539-577	539-577	54X30	1	539-277	539-277
C12	Disc	Ø15X2,5	1	539-279	539-279	539-279	Ø15X2,5	1	539-279	539-279

# Line guide fitting assembly

		<b>Assembly number →</b>		<b>539-560-01</b>	<b>539-560-01</b>	<b>539-560-01</b>	<b>Assembly number →</b>		<b>539-260-01</b>	<b>539-260-01</b>
C21	Line guide fitting	114X60	1	539-560 <sup>3)</sup>	539-560 <sup>3)</sup>	539-560 <sup>3)</sup>	190X145	1	539-260 <sup>3)</sup>	539-260 <sup>3)</sup>
C22	Screw	MRT 6X10	2	155-609	155-609	155-609	MRT 6X12	2	155-613	155-613
C23	Retaining washer	M6	2	164-053	164-053	164-053	M6	2	164-053	164-053
C24	Screw	MRT 6X40	1	155-801	155-801	155-801	MRT 8X50	1	155-805	155-805
C25	Locking nut	M6	1	158-005	158-005	158-005	M8	1	158-006	158-006

<sup>3)</sup>	Only as an assembly C21-C25
---------------	-----------------------------



## Luff extrusion 1000 mm

## Description D

Item	Description	Serie 200					Serie 300			
		Dimension	Qty	Forestay wire size			Dimension	Qty	Forestay wire size	
				Ø6mm	Ø7mm	Ø8mm			Ø8mm	Ø10mm
D1	Luff extrusion	31/21 L=1000	1	539-563 <sup>1)</sup>	539-563 <sup>1)</sup>	539-563 <sup>1)</sup>	39/27 L=1000	1	539-263 <sup>1)</sup>	539-263 <sup>1)</sup>
D2	Joint sleeve	17/14 L=1150	1	539-567 <sup>2)</sup>	539-567 <sup>2)</sup>	539-567 <sup>2)</sup>	17/17 L=1200	1	539-267 <sup>2)</sup>	539-267 <sup>2)</sup>
D3	Insulator	L=1150	1	539-538	539-538	539-538	L=1200	1	539-238	539-238
D4	Pin	Ø5X20	1	166-211	166-211	166-211	Ø5X25	1	166-212	166-212
D5	Sail feeder	50x22	1	539-598 <sup>3)</sup>	539-598 <sup>3)</sup>	539-598 <sup>3)</sup>	75X40	1	539-298 <sup>3)</sup>	539-298 <sup>3)</sup>
D6	Sail feeder connector	50x22	1	539-599 <sup>3)</sup>	539-599 <sup>3)</sup>	539-599 <sup>3)</sup>	75x40	1	539-299 <sup>3)</sup>	539-299 <sup>3)</sup>
D7	Screw	MCS 4x8	2	155-959	155-959	155-959	MCS 4x8	2	155-959	155-959
D8	Connecting plate	108x11	1	539-562	539-562	539-562	146x13	1	539-262	539-262

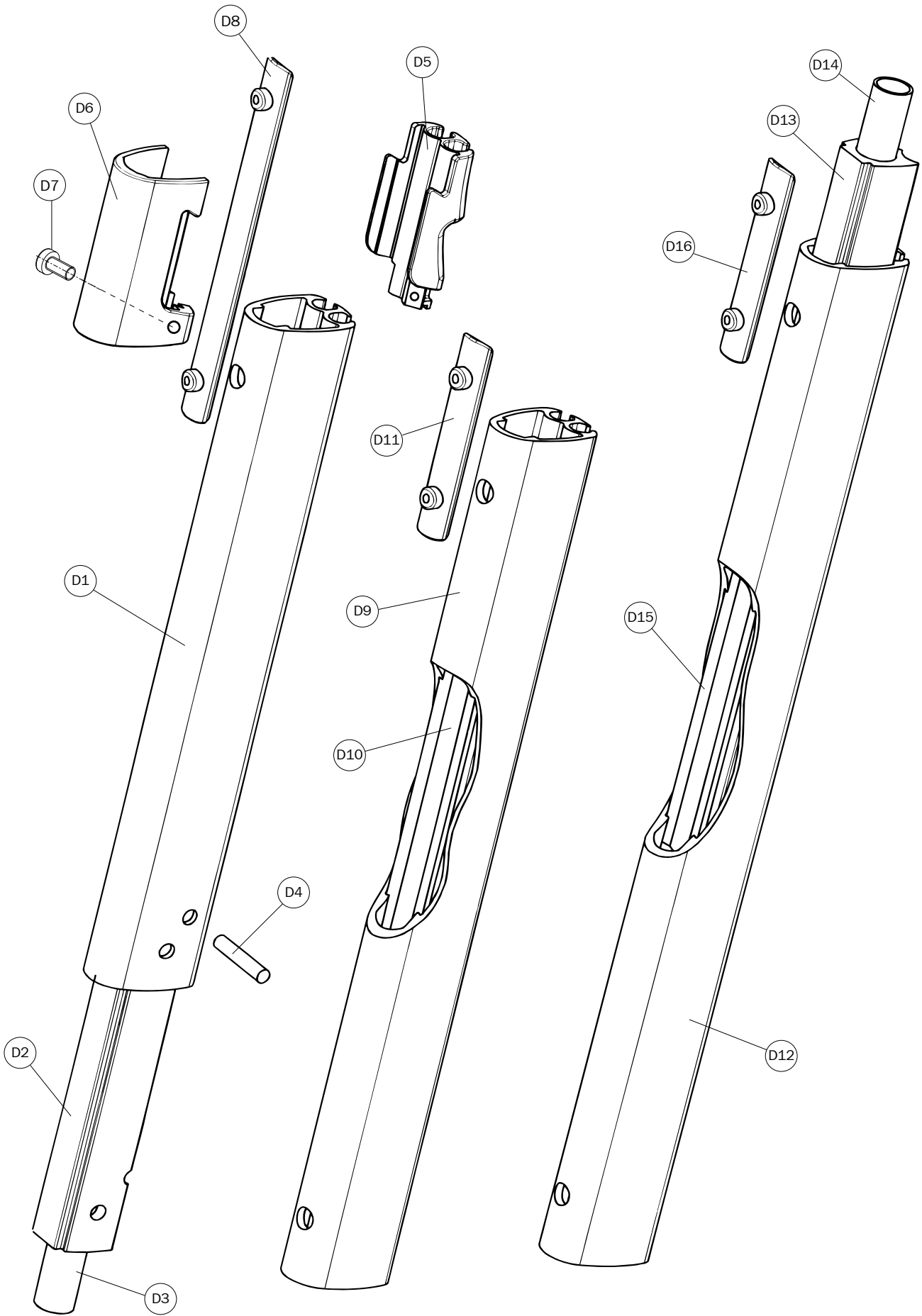
## Luff extrusion 2000 mm

D9	Luff extrusion	31/21 L=2000	1	539-564 <sup>4)</sup>	539-564 <sup>4)</sup>	539-564 <sup>4)</sup>	39/27 L=2000	1	539-264 <sup>4)</sup>	539-264 <sup>4)</sup>
D10	Distance tube	17/15 L=1800	1	539-589	539-589	539-589	17/17 L=1750	1	539-289	539-289
D11	Connecting plate	58x11	1	539-561	539-561	539-561	74x13	1	539-261	539-261

## Luff extrusion 2400 mm

D12	Luff extrusion	31/21 L=2400	1	539-565 <sup>5)</sup>	539-565 <sup>5)</sup>	539-565 <sup>5)</sup>	39/27 L=2400	1	539-265 <sup>5)</sup>	539-265 <sup>5)</sup>
D13	Joint sleeve	17/14 L=200	1	539-566 <sup>6)</sup>	539-566 <sup>6)</sup>	539-566 <sup>6)</sup>	17/17 L=250	1	539-266 <sup>6)</sup>	539-266 <sup>6)</sup>
D14	Insulator	L=200	1	539-537	539-537	539-537	L=250	1	539-237	539-237
D15	Distance tube	17/15 L=2200	1	539-590	539-590	539-590	17/17 L=2150	1	539-290	539-290
D16	Connecting plate	58x11	1	539-561	539-561	539-561	74x13	1	539-261	539-261

<sup>1)</sup>	Only as an assembly D1-D4, D8	1	539-563-01	539-563-01	539-563-01	-	1	539-263-01	539-263-01
<sup>2)</sup>	Only as an assembly D2-D3	1	539-567-02	539-567-02	539-567-02	-	1	539-267-02	539-267-02
<sup>3)</sup>	Only as an assembly D5-D7	1	539-598-01	539-598-01	539-598-01	-	1	539-298-01	539-298-01
<sup>4)</sup>	Only as an assembly D9-D11	1	539-564-01	539-564-01	539-564-01	-	1	539-264-01	539-264-01
<sup>5)</sup>	Only as an assembly D12-D16	1	539-565-06	539-565-06	539-565-06	-	1	539-265-06	539-265-06
<sup>6)</sup>	Only as an assembly D13-D14	1	539-566-01	539-566-01	539-566-01	-	1	539-266-01	539-266-01



## Additional items

## Description E

		Serie 200					Serie 300			
				Forestay wire size					Forestay wire size	
Item	Description	Dimension	Qty	Ø6mm	Ø7mm	Ø8mm	Dimension	Qty	Ø8mm	Ø10mm
E1	Forestay wire pack	L=13000	1	601-004-62	-	-	L=15500	1	601-006-63	-
E1	Forestay wire pack	L=15400	1	601-004-63	601-005-62	601-006-61	L=17900	1	601-006-64	601-008-62
E1	Forestay wire pack	L=17800	1	-	601-005-63	601-006-62	L=20300	1	-	601-008-63
E2	Top bearing	17/18 L=175	1	539-591	539-591	539-591	22/22 L=120	1	539-291	539-291
E3	Bush	Ø12/6,6 - 18	1	306-911	-	-	Ø16/8,8 - 25	1	306-914	-
E3	Bush	Ø12/7,7 - 18	1	-	306-912	-	Ø16/11 - 25	1	-	306-915
E3	Bush	Ø12/8,8 - 18	1	-	-	306-913	-	-	-	-
E4	Furling line	Ø8 L=25000	1	612-034-12	612-034-12	612-034-12	Ø10 L=28000	1	612-035-12	612-035-12

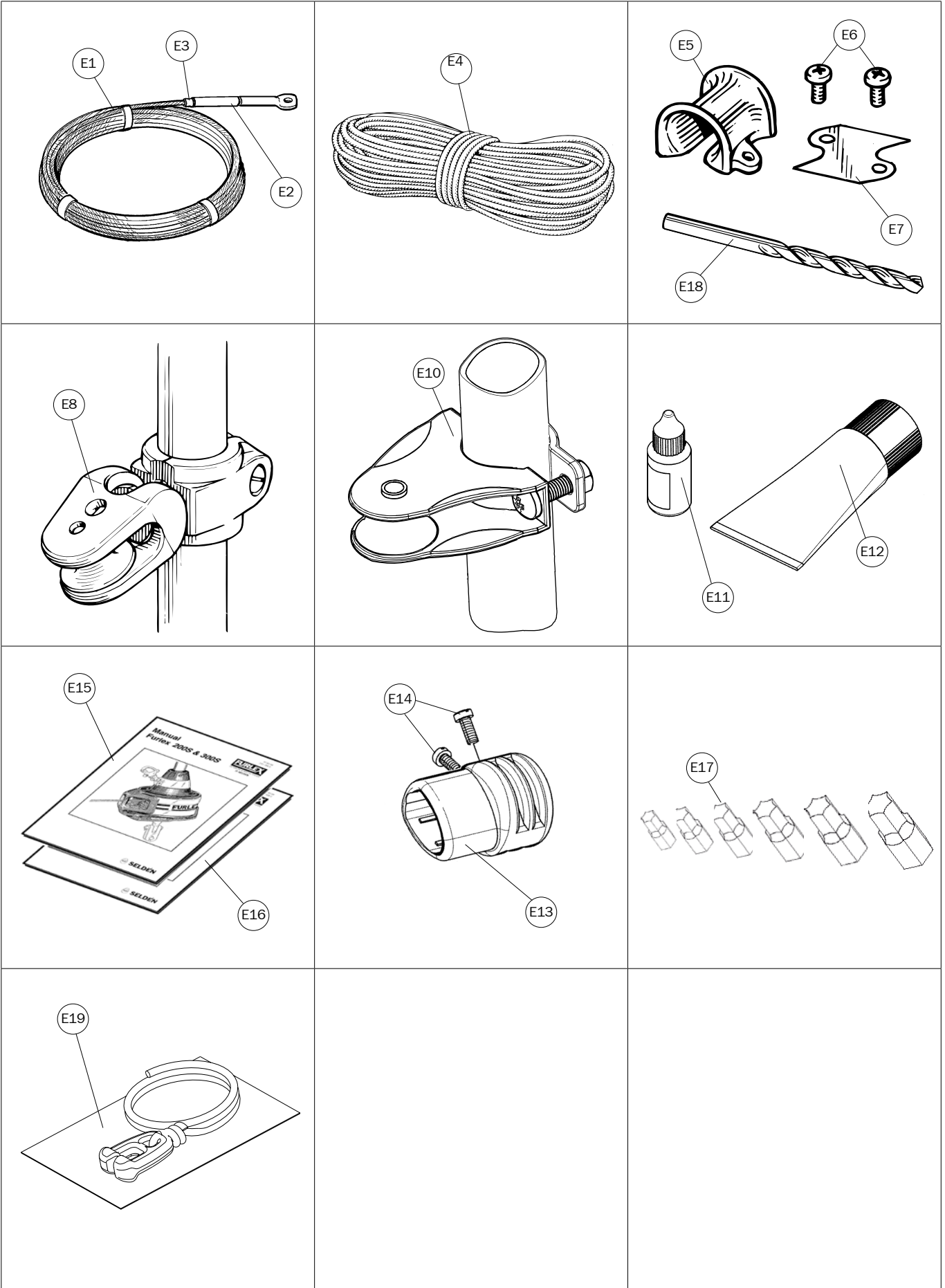
	Halyard lead set	Assembly number →		508-159-03	508-159-03	508-159-03	Assembly number →	508-128-03	508-128-03	
E5	Halyard lead	Ø14-35	1	508-159 <sup>1)</sup>	508-159 <sup>1)</sup>	508-159 <sup>1)</sup>	Ø20-57	1	508-128 <sup>1)</sup>	508-128 <sup>1)</sup>
E6	Selftapping screw	MRX-TT 6x12	2	155-703 <sup>1)</sup>	155-703 <sup>1)</sup>	155-703 <sup>1)</sup>	Ø10	1	155-703 <sup>1)</sup>	155-703 <sup>1)</sup>
E7	Insulator	35x41	1	530-632 <sup>1)</sup>	530-632 <sup>1)</sup>	530-632 <sup>1)</sup>	60x54	1	530-627 <sup>1)</sup>	530-627 <sup>1)</sup>

E8	Stanchion block	For Ø25	1	538-971-01	538-971-01	538-971-01	For Ø25	1	538-971-01	538-971-01
E8	Stanchion block 4-pack	For Ø25	4	538-971-02	538-971-02	538-971-02	-	-	-	-
E10	Stanchion block st.st.	-	-	-	-	-	For Ø25	1	538-210-01	538-210-01
E10	Stanchion block st.st.	-	-	-	-	-	For Ø30	1	538-210-02	538-210-02
E11	Locking adhesive	≈ 10g	1	312-305	312-305	312-305	≈ 10g	1	312-305	312-305
E12	Lubricating grease	≈ 100g	1	312-501	312-501	312-501	≈ 100g	1	312-501	312-501
E13	Top Guard	Ø44x60	1	539-586 <sup>2)</sup>	539-586 <sup>2)</sup>	539-586 <sup>2)</sup>	Ø52x70	1	539-286 <sup>2)</sup>	539-286 <sup>2)</sup>
E14	Screw	RXS Z4,8x9,5	1	171-019 <sup>2)</sup>	171-019 <sup>2)</sup>	171-019 <sup>2)</sup>	RXS Z4,8x9,5	1	171-019 <sup>2)</sup>	171-019 <sup>2)</sup>
E15	Manual (Swedish)	A4	1	595-231-S	595-231-S	595-231-S	A4	1	595-231-S	595-231-S
E15	Manual (English)	A4	1	595-231-E	595-231-E	595-231-E	A4	1	595-231-E	595-231-E
E15	Manual (German)	A4	1	595-231-T	595-231-T	595-231-T	A4	1	595-231-T	595-231-T
E16	Spare parts list	A4	1	595-232-E	595-232-E	595-232-E	A4	1	595-232-E	595-232-E
E17	Torx bit set	T15/20/25/30/40/45	1	592-087	592-087	592-087	T15/20/25/30/40/45	1	592-087	592-087

E18	Drillbit	Ø5,3	1	592-006 <sup>1)</sup>	592-006 <sup>1)</sup>	592-006 <sup>1)</sup>	Ø5,3	1	592-006 <sup>1)</sup>	592-006 <sup>1)</sup>
-----	----------	------	---	-----------------------	-----------------------	-----------------------	------	---	-----------------------	-----------------------

E19	Prefeeder pack	38x29	1	505-538-01	505-538-01	505-538-01	38x29	1	505-538-01	505-538-01
-----	----------------	-------	---	------------	------------	------------	-------	---	------------	------------

<sup>1)</sup>	Only as a package E5-E7, E18		1	508-159-03	508-159-03	508-159-03		1	508-128-03	508-128-03
<sup>2)</sup>	Only as a package E13-E14		1	539-586-01	539-586-01	539-586-01		1	539-286-01	539-286-01



# DINGHIESKEELBOATSYACHTS

**Seldén Mast AB, Sweden**  
Tel +46 (0)31 69 69 00  
Fax +46 (0)31 29 71 37  
e-mail [info@seldenmast.com](mailto:info@seldenmast.com)

**Seldén Mast Limited, UK**  
Tel +44 (0) 1329 504000  
Fax +44 (0) 1329 504049  
e-mail [info@seldenmast.co.uk](mailto:info@seldenmast.co.uk)

**Seldén Mast Inc., USA**  
Tel +1 843-760-6278  
Fax +1 843-760-1220  
e-mail [info@seldenus.com](mailto:info@seldenus.com)

**Seldén Mast A/S, DK**  
Tel +45 39 18 44 00  
Fax +45 39 27 17 00  
e-mail [info@seldenmast.dk](mailto:info@seldenmast.dk)

**Seldén Mid Europe B.V., NL**  
Tel +31 (0) 111-698 120  
Fax +31 (0) 111-698 130  
e-mail [info@seldenmast.nl](mailto:info@seldenmast.nl)

**Seldén Mast SAS, FR**  
Tel +33 (0) 251 362 110  
Fax +33 (0) 251 362 185  
e-mail [info@seldenmast.fr](mailto:info@seldenmast.fr)

[www.seldenmast.com](http://www.seldenmast.com)

Dealer:

The Seldén Group is the world's leading manufacturer of mast and rigging systems in carbon and aluminium for dinghies, keelboats and yachts. The range was extended with deck hardware in 2008.

The Group consists of Seldén Mast AB in Sweden, Seldén Mast A/S in Denmark, Seldén Mast Ltd in the UK, Seldén Mid Europe B.V. in the Netherlands, Seldén Mast SAS in France, Seldén Mast Inc. in the USA and Seldén Mast Asia Ltd in Hong Kong.

Our well known brands are Seldén and Furlex. The worldwide success of Furlex has enabled us to build a network of over 750 authorised dealers covering the world's marine markets. So wherever you sail, you can be sure of fast access to our service, spare parts and know-how.

 **SELDÉN**