

# REPLACING PUMP PISTON, HTI TENSIONERS, 584-103-10

Two version of pump piston are used in the HTI tensioners. The switch between the two versions was made 2019. The new design 584-103 is made in stainless steel supplied in this kit. (Old design 584-016 is made from aluminum).

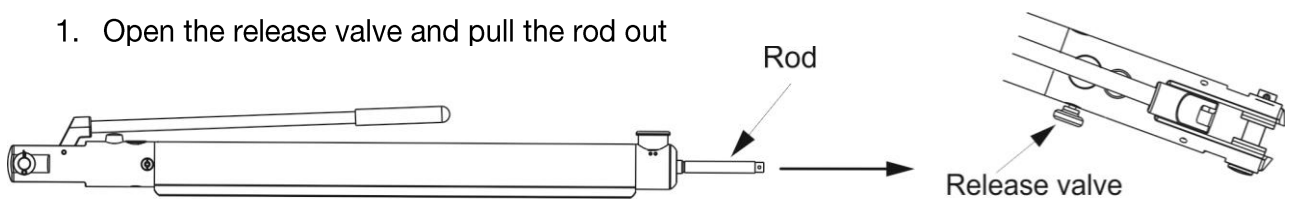
## Tools

- Hex wrenchs (Allen keys)
- A pair of pliers
- A small screwdriver
- Hammer

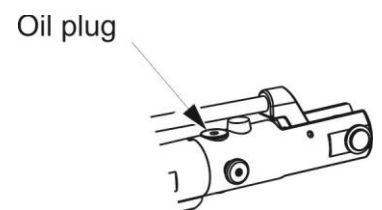


## Releasing pressure before disassembly

1. Open the release valve and pull the rod out



2. Place the oil plug as the highest point, Open it carefully with the 8mm hex wrench (to make sure there is no pressure inside)
3. Close it again

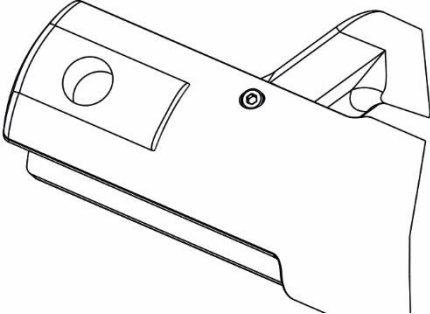
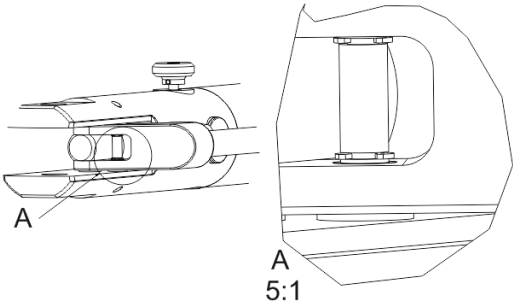


### Disassembly of Piston 542-016

### Disassembly of Piston 584-103

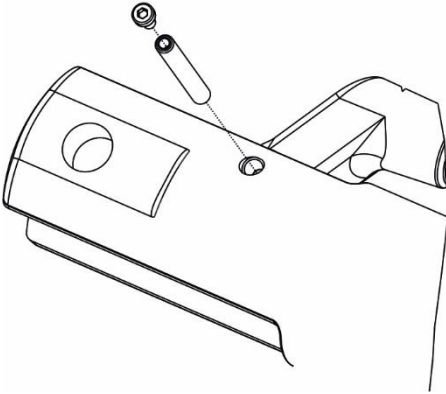
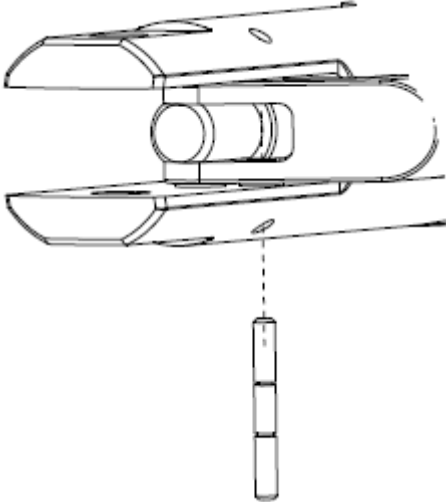
- 1. Remove the two Circular clips that hold the shaft for the handle in place, use a pair of pliers or a screw driver.

- 1. Unscrew the screws that locking the shaft in place.



- 2. Remove the shaft that holds the handle

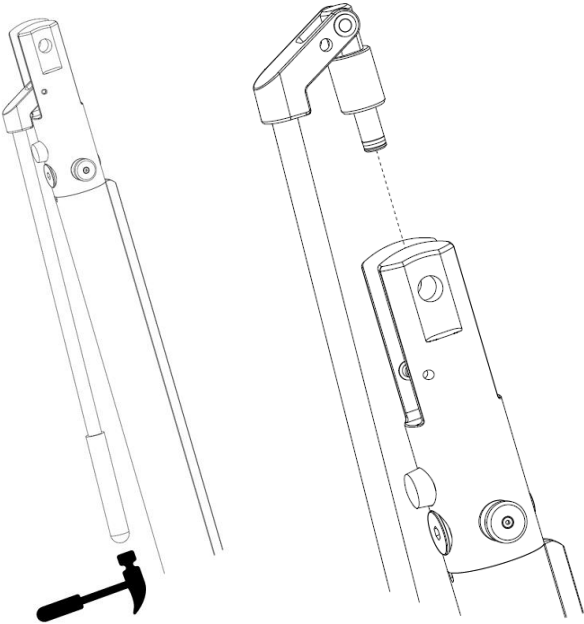
- 2. Remove the the shaft



- 3. Remove the piston, by gently hitting the end of the handle with a hammer.

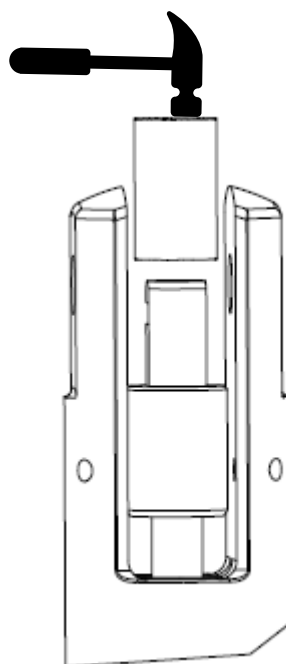


Place tensioner in a vertical position with piston up, before removing the piston to avoid that oil leaks out.



## Assembly

1. Assemble the part in the same order as they were disassembled. Due to the tight fit between piston and sealings in the cylinder, the piston might be forced into place. Use a piece of wood or similar and place on the piston and tap it gently with hammer



## Removal of trapped air

1. Close the release valve
2. With tensioner in **vertical** position, operate the pump lever until the rod is contracted to its inward end position
3. Open the release valve
4. With tensioner in **vertical** position, operate the pump lever back and forth approximately 10 times slowly
5. With tensioner in **horizontal** position, pull the rod out. Handel downwards
6. Close the release valve
7. With tensioner in **vertical** position, operate the pump lever until the rod is contracted to its inward end position
8. Open the release valve
9. With tensioner in **vertical** position, operate the pump lever back and forth approximately 10 times slowly

