

Light, strong and easy to handle

The smallest furlers in the Furlex family are used as standard equipment on numerous dinghies, small catamarans and keelboats. They feature stainless ball bearings for long life, composite components for low weight and clever designs to reduce friction. Properties that have made Furlex the world's best-selling furling systems since early 80's.



- All structural parts are stainless steel
- Composite drum and cover.
- Double stainless ball bearings in the drum distribute the radial load evenly and reduces friction.
- The line exit fairlead of the cover can be orientated in several positions to achieve the correct angle for the furling line.
- The Top Swivel of Furlex 30S and 40S is tapered to fit in narrow forestay angles.
- All Top Swivels come with low friction stainless ball bearings to prevent the halyard from twisting.

Furlex 20S for smaller dinghies with $\varnothing 3$ mm forestays.



Furlex 30S / 40S for dinghies, keelboats and small catamarans with $\varnothing 4$ mm forestays.

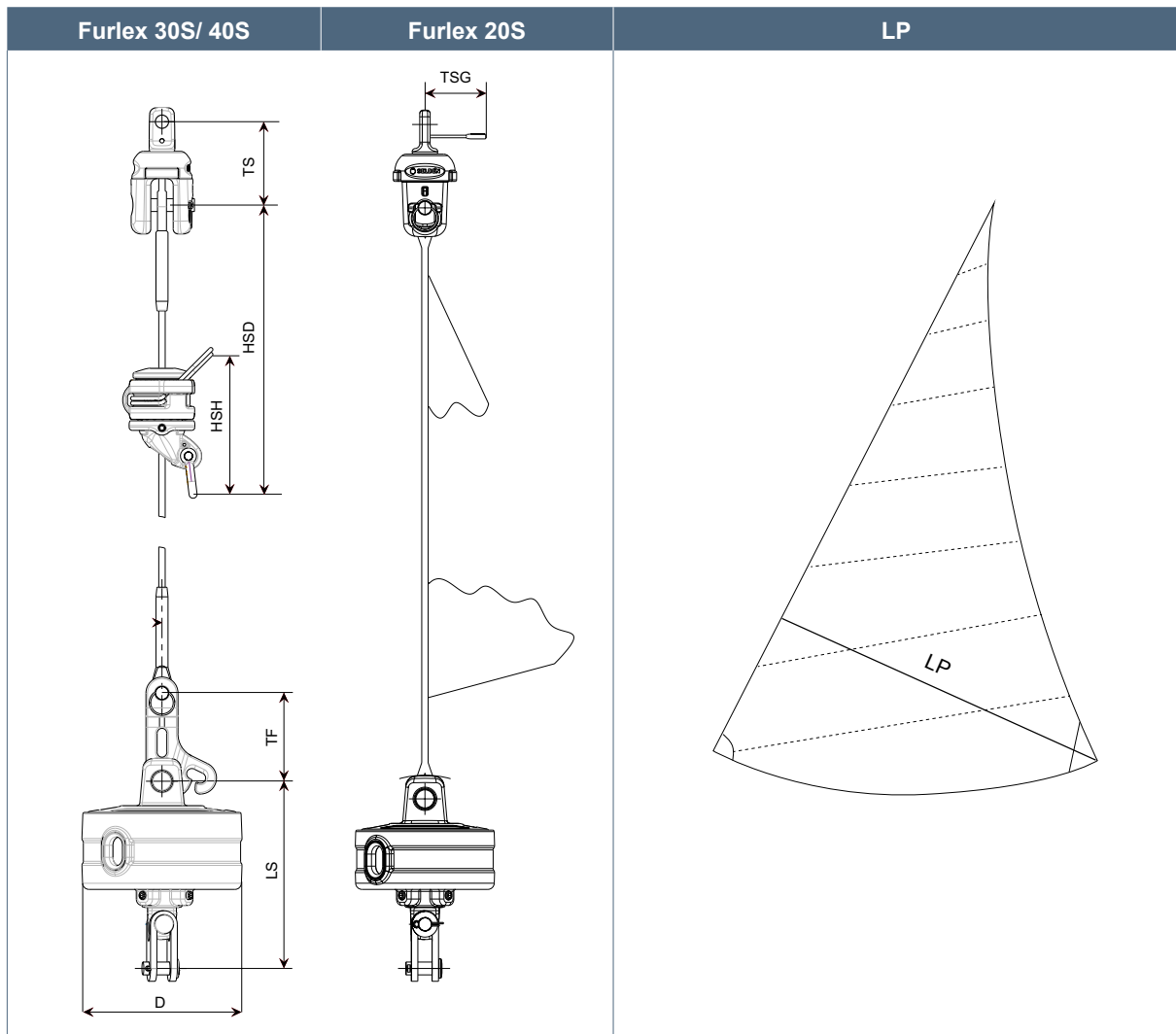


Technical specifications	Furlex 20S	Furlex 30S	Furlex 40S
Dimensioned for forestay diameter, \varnothing (mm)*	3	4	4
Max service load, (forestay), kg	500	900	900
Max service load, (halyard swivel), kg	--	300	300
Max recommended LP** measurement, mm	2500	2500	3000
Furling line diameter, \varnothing mm	2,5	4	5

* Forestay wire is not included.

** See illustration

Dimensions, mm	Furlex 20S	Furlex 30S	Furlex 40S
Top swivel height (TS)	35	52	52
Top swivel guide, length (TSG)	100	100	100
Halyard swivel height (HSH)		90	90
Halyard swivel deduction (HSD)		180	180
Tack fitting height (TF)		55	55
Lower swivel height (LS)	60	106	117
Drum diameter, \varnothing (D)	70	85	100





Complete kits Include top swivel, halyard swivel, drum, tack fitting, furling line		Art. No.
Furlex 30S		539-490-11
Furlex 40S		539-470-11

Basic kits Include top swivel, drum, furling line		Art. No.
Furlex 20S		539-455-12
Furlex 30S		539-490-10
Furlex 40S		539-470-10

Separate parts	Top swivel, Art. No.	Top swivel guide Art. No.	Halyard swivel, Art. No.	Tack fitting Art. No.	Drum Art. No.	Furling line, Art. No.
Furlex 20S	539-450-01R	539-460-01R	-	-	539-455-03R	614-259 x 5 mtr.
Furlex 30S	539-480-01R		539-487-01R	539-478-01R	539-490-01R	614-414-01R (10 mtr)
Furlex 40S					539-470-01R	614-416-01R (11 mtr)


SELDÉN
for sailing

SELDÉN and FURLEX are registered trademarks of Seldén Mast AB
 Seldén Mast AB, Sweden e-mail info@seldenmast.com, www.seldenmast.com