

FURLEX 500S

FURLEX

Jib furling and reefing system for yachts with 16 mm forestays

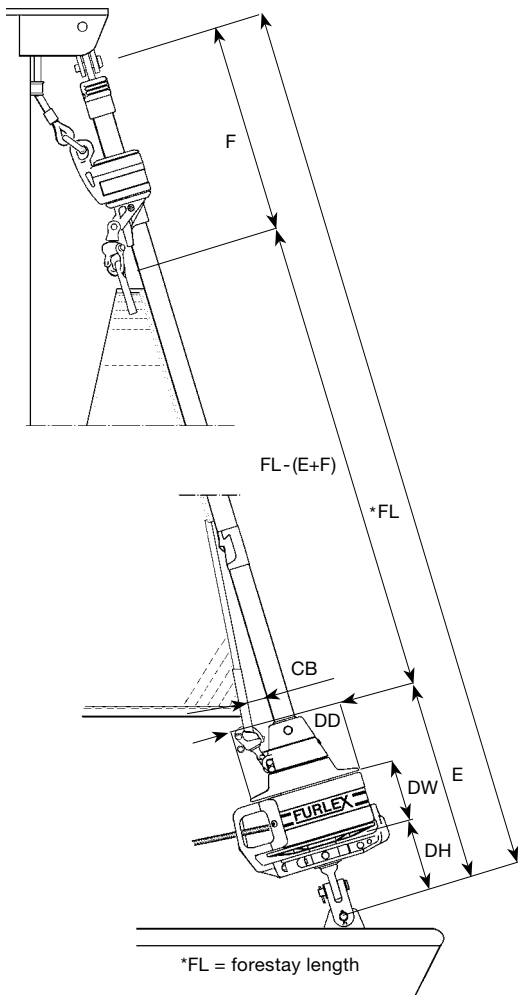


- Centred and insulated forestay and completely insulated joining sleeves make furling easier, reduce wear and cut out the risk of corrosion.
- Unique, patented load-distributor for easy furling and unrivalled bearing durability. Lightweight halyard swivel keeps weight aloft to a minimum.
- Sailfeeder in high grade, marine stainless steel for improved durability and service life. Composite connector for the optimum strength-to-weight ratio.
- Tack swivel with a free-turn, combined with the uniform profile of the forestay extrusion, give a perfectly furled sail and effective performance even when reefed. Twin grooves and split drum – allow for fast sail changes and make Furlex easily adapted for racing.
- Unique line-guide system – controls and centres furling line and arranges it evenly onto the drum.
- Fully integral rigging screw (optional) for fast and simple forestay adjustment, without affecting the uniform profile of the extrusion or the drum height above deck. The rigging screw adjusts through 100 mm.

Furlex	Forestay dia. mm	Rod dia. mm	Navtec	OYS* (Riggarna)	BSI	Max righting moment (kNm) at 30° heel		Approx. displacement, tonnes	
						Masthead rig	Fractional rig	Masthead rig	Fractional rig
500S	16	-40 (12.7)	X	X	X	230	250	38	40
		-48 (14.3)	X	X	X				

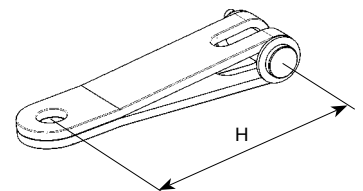
* The upper eye terminal must be of the MNY type.

Forestay dia. mm	DH mm	DW mm	DD mm	CB mm	E mm	F mm	ID mm	W2 mm	D2 Clevis pin	Forestay adjustment dia., mm	Extension link H mm	Halyard sheave box Art. No.
16	200	140	250	95	535	620	50	26	22	100	-	505-038-01

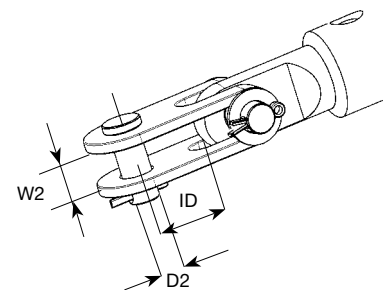
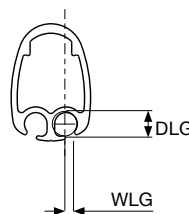


Furlex	Forestay dia. Ø mm	Max. forestay length, m	Art. No. Standard version	Art. No. Incl. rigging screw
500S	16	23.0	060-046-56	060-046-66
		27.8	060-046-57	060-046-67

Furlex	Internal diameter of luff groove (DLG), Ø mm	Width of luff groove (WLG), mm
500S	9.2	3.0



Extension link: Used to increase the distance between the lower unit and the deck for a bow anchor etc.



Furlex standard toggle.

Furlex is available with Dyform wire. Information on Furlex Hydraulic is available separately. Please ask for details.