

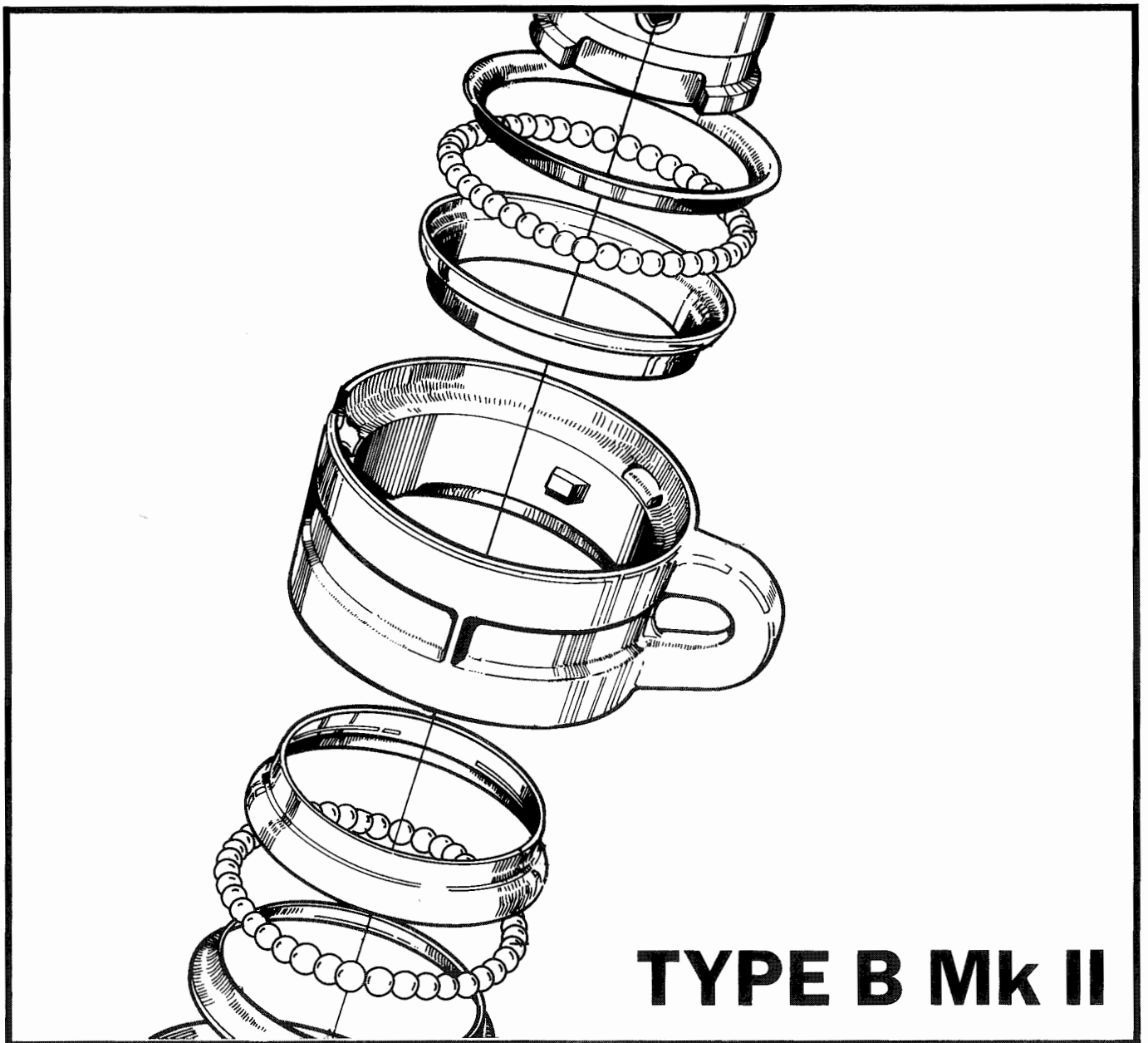


JAN -96/595-030-E  
SPARE PARTS Mk 2

JIB FURLING & REEFING SYSTEM  
a Seldén Mast product.

**SPARE PARTS NO LONGER AVAILABLE**

## SPARE PARTS LIST



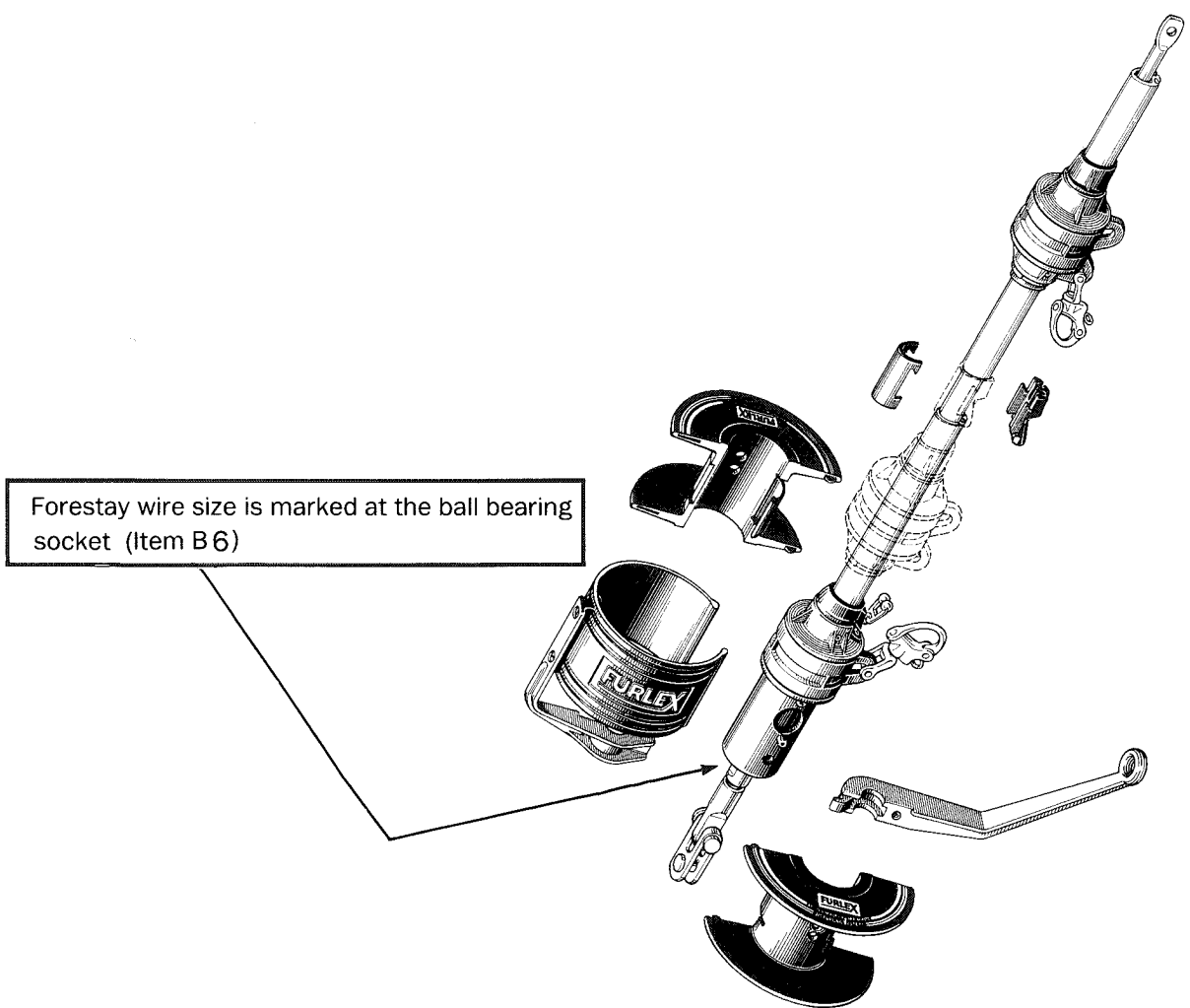
**TYPE B Mk II**

## WORLDWIDE DEALER LIST

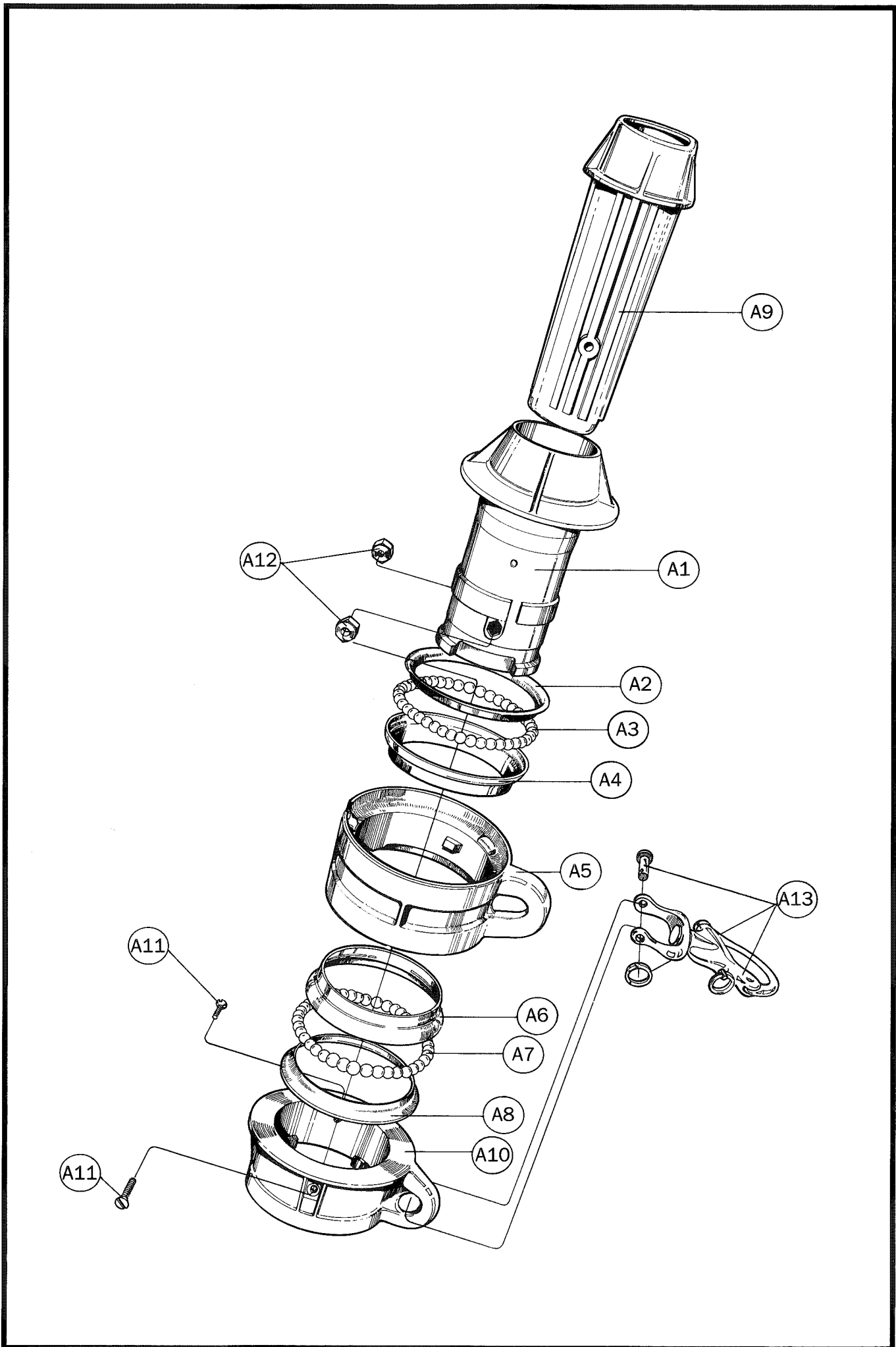
# DESCRIPTION A

# HALYARD SWIVEL

Item	Description	Dimension	Qty.	Forestay wire size		
				ø6 mm	ø7 mm	ø8 mm
		<b>Assembly number →</b>		<b>539-051-01</b>	<b>539-051-01</b>	<b>539-051-01</b>
A 1	Hub — Halyard swivel	ø84 × 115	1	539-051	539-051	539-051
A 2	Ball bearing ring — inner	ø74 × ø56 × 7	1	539-059	539-059	539-059
A 3	Balls	ø6	34	539-034	539-034	539-034
A 4	Ball bearing ring — outer	ø76 × ø57 × 15	1	539-058	539-058	539-058
A 5	Eye ring-rotating — 1 boss	ø84 × 40	1	539-053	539-053	539-053
A 6	Ball bearing ring — outer	ø76 × ø57 × 15	1	539-058	539-058	539-058
A 7	Balls	ø6	34	539-034	539-034	539-034
A 8	Ball bearing ring — inner	ø74 × ø56 × 7	1	539-059	539-059	539-059
A 9	Sliding sleeve	ø48 × 160	1	539-057	539-057	539-057
A10	Flange eye collar	ø84 × 33	1	539-052	539-052	539-052
A11	Screw	MFX 6 × 20	2	162-031	162-031	162-031
A12	Locking nut	M6	2	158-005	158-005	158-005
A13	Snap shackle	85 mm	1	307-336	307-336	307-336



Seldén Mast AB reserves the right to alter the design or specification without prior warning, to allow unrestricted future product development.



# DESCRIPTION B

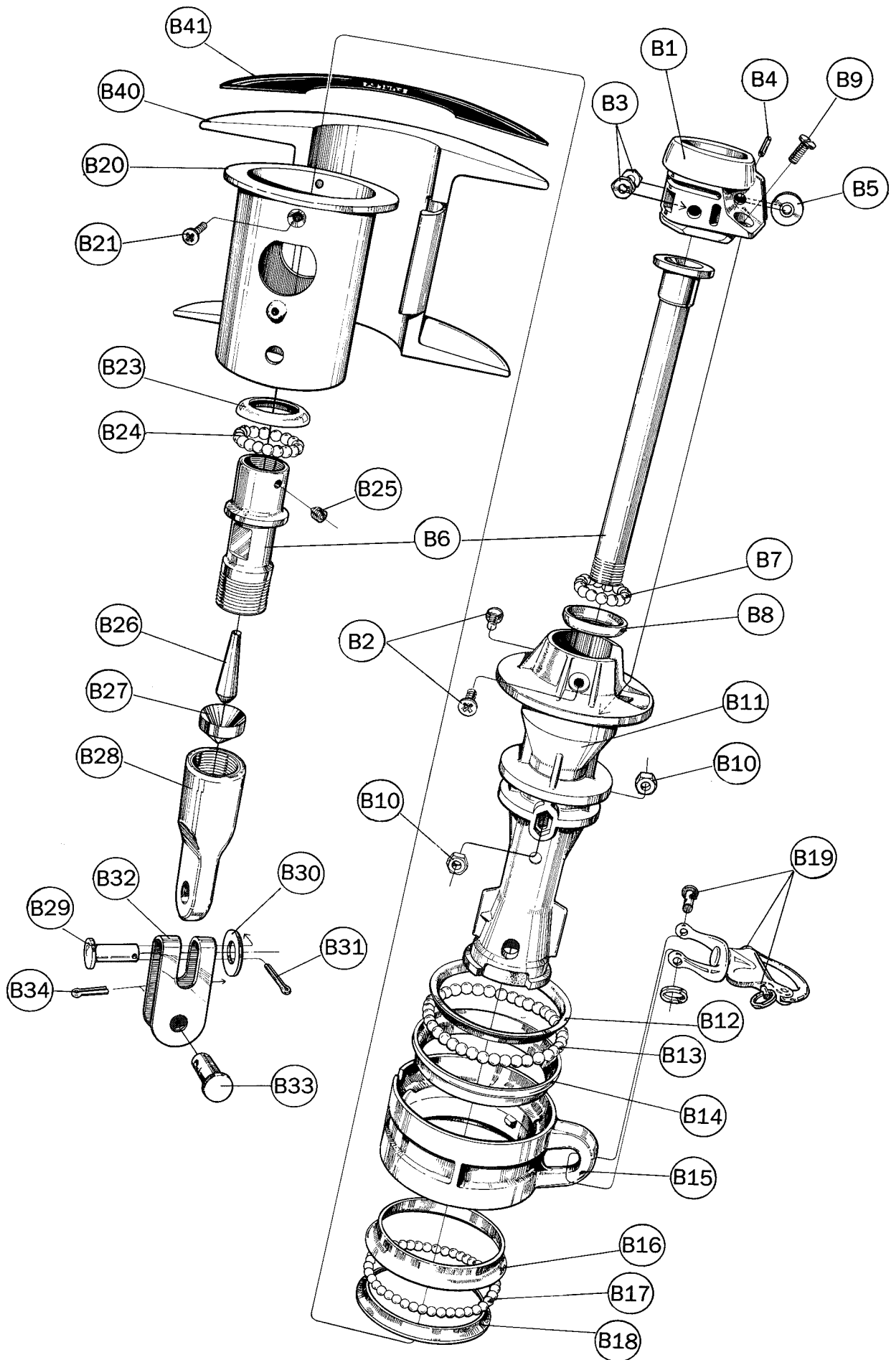
# LOWER SWIVEL

Item	Description	Dimension	Qty.	Forestay wire size		
				ø6 mm	ø7 mm	ø8 mm
		<b>Assembly number →</b>		<b>539-054-01</b>	<b>539-054-02</b>	<b>539-054-03</b>
B 1	Adapter	ø50 × 55	1	539-056 1)	539-056 1)	539-056 1)
B 2	Screw	MFX 6 × 16	2	162-025	162-025	162-025
B 3	Locking nut	M6	2	158-005	158-005	158-005
B 4	Spring pin	ø5 × 20	1	166-513	166-513	166-513
B 5	Sheave	ø23 × ø6 × 10	1	504-310	504-310	504-310
B 6	Ball bearing socket	Wire ø marked	1	301-185 2)	301-186 2)	301-187 2)
B 7	Balls	ø6	13	539-034	539-034	539-034
B 8	Ball bearing ring — outer	ø36 × ø22 × 7	1	539-060	539-060	539-060
B 9	Lubricate screw	M6 × 10	1	319-573	319-573	319-573
B10	Locking nut	M6	2	158-005	158-005	158-005
B11	Inner hub — lower swivel	ø84 × 181	1	539-054	539-054	539-054
B12	Ball bearing ring — inner	ø74 × ø56 × 7	1	539-059	539-059	539-059
B13	Balls	ø6	34	539-034	539-034	539-034
B14	Ball bearing ring outer	ø76 × ø57 × 15	1	539-058	539-058	539-058
B15	Eye ring-rotating — 1 boss	ø84 × 40	1	539-053	539-053	539-053
B16	Ball bearing ring — outer	ø76 × ø57 × 15	1	539-058	539-058	539-058
B17	Balls	ø6	34	539-034	539-034	539-034
B18	Ball bearing ring — inner	ø74 × ø56 × 7	1	539-059	539-059	539-059
B19	Snap shackle	85 mm	1	307-336	307-336	307-336
B20	Outer hub — lower swivel	ø84 × 105	1	539-055	539-055	539-055
B21	Screw	MFX 6 × 16	2	162-025	162-025	162-025
B23	Ball bearing ring — outer	ø36 × ø22 × 7	1	539-060	539-060	539-060
B24	Balls	ø6	13	539-034	539-034	539-034
B25	Grub screw	MSK6SS 6 × 6	1	153-101	153-101	153-101
B26	Wedge	L = 33	1	301-152	—	—
B26	Wedge	L = 36	1	—	301-153	—
B26	Wedge	L = 42	1	—	—	301-154
B27	Former	ø13,4	1	301-157	—	—
B27	Former	ø14,8	1	—	301-158	—
B27	Former	ø16,3	1	—	—	301-159
B28	Terminal eye fitting	ø22 × 66	1	301-166 2) *)	—	—
B28	Terminal eye fitting	ø22 × 71	1	—	301-167 2) *)	—
B28	Terminal eye fitting	ø25 × 78	1	—	—	301-168 2) *)

\*) Alt. use a standard STALOK eye

1) 2) See page 6.

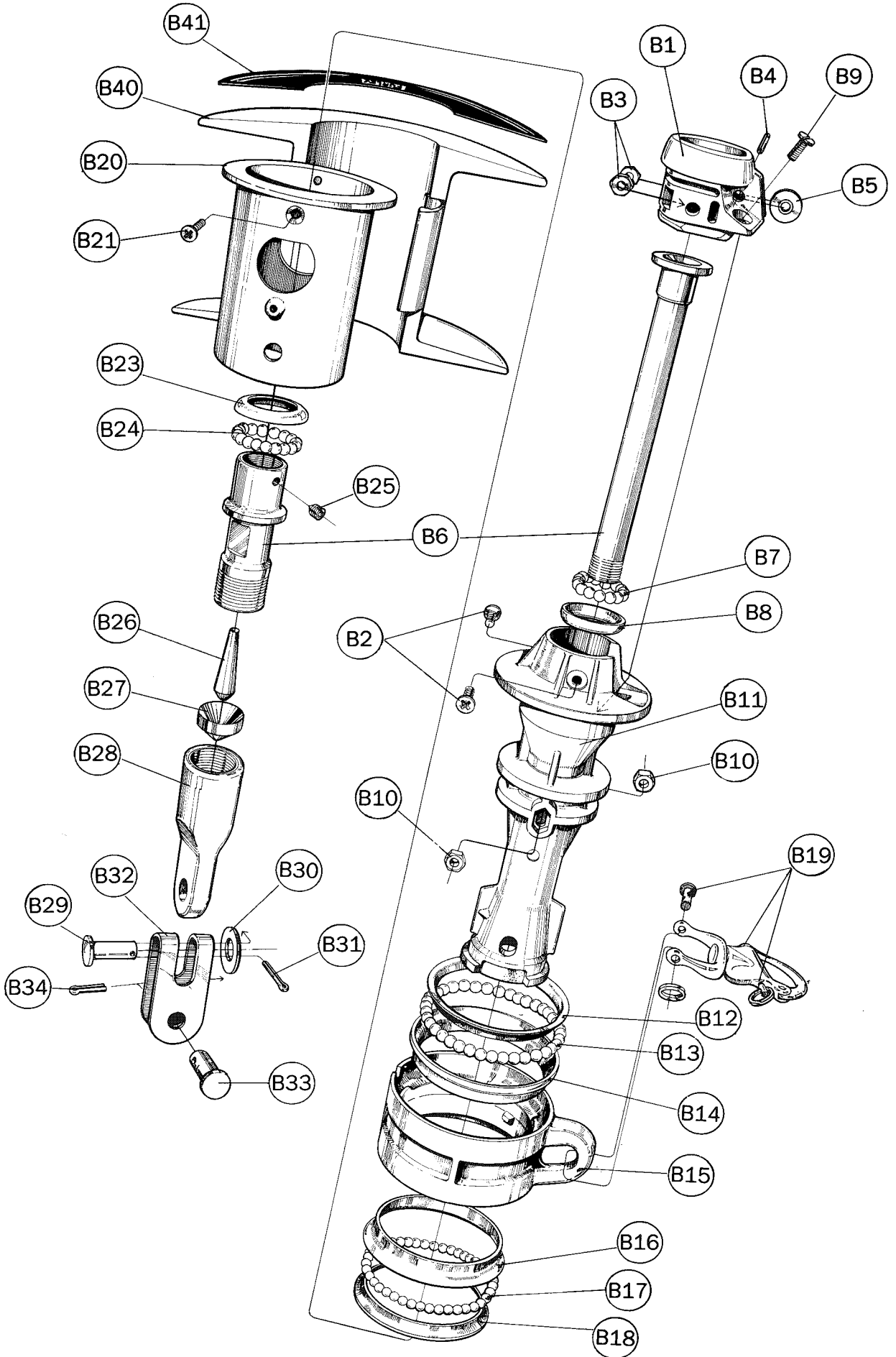
To be continued on page 6.



Continued from page 4

Item	Description	Dimension	Qty.	Forestay wire size		
				ø6 mm	ø7 mm	ø8 mm
B29	Clevis pin	ø12 × 36	1	165-409 4)	165-409 4)	—
B29	Clevis pin	ø14 × 47	1	—	—	165-503 4)
B30	Washer	ø24 × ø13 × 2,5	1	164-404 4)	164-404 4)	—
B30	Washer	ø24 × ø14,2 × 2	2	—	—	164-420 4)
B31	Split pin	ø3,2 × 16	1	301-049 4)	301-049 4)	—
B31	Split pin	ø4 × 20	1	—	—	301-053 4)
B32	Toggle fork-fork	Part No marked	1	517-046 3) 4)	517-047 3) 4)	517-048 3) 4)
B33	Clevis pin	ø10 × 22	1	165-202 3) 4)	—	—
B33	Clevis pin	ø12 × 24	1	—	165-401 3) 4)	—
B33	Clevis pin	ø14 × 28	1	—	—	165-501 3) 4)
B34	Split pin	ø2,5 × 16	1	301-048 3) 4)	—	—
B34	Split pin	ø3,2 × 16	1	—	301-049 3) 4)	—
B34	Split pin	ø4 × 20	1	—	—	301-053 3) 4)
1)	Only as a package B1-B5, B9		1	539-056-01	539-056-01	539-056-01
2)	Only as a package B6, B25-B28		1	301-185-01	301-186-01	301-187-01
3)	B32-B34 also as a package		1	517-046-01	517-047-01	517-048-01
4)	B29-B34 also as a package		1	517-046-02	517-047-02	517-048-02

B40	Line drum half	ø180 × 100	2	539-008 5)	539-008 5)	539-008 5)
B41	Label drum half		2	591-270	591-270	591-270
5)	Only as a package B40-B41		2	539-008-01	539-008-01	539-008-01



## DESCRIPTION C

## LINE GUARD FITTING

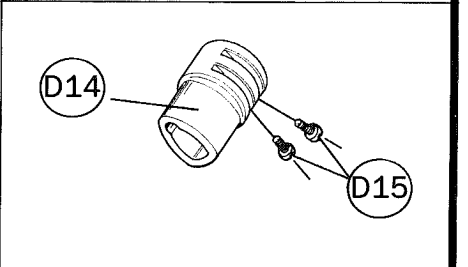
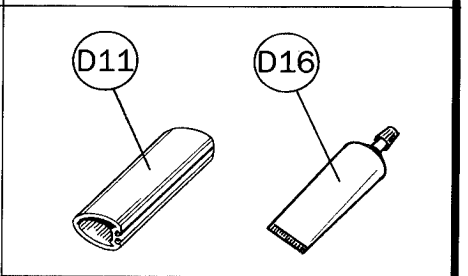
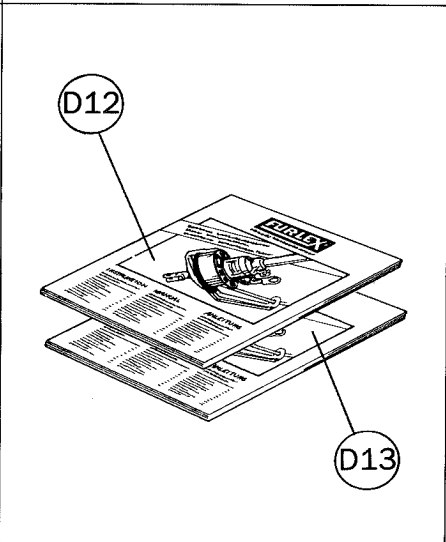
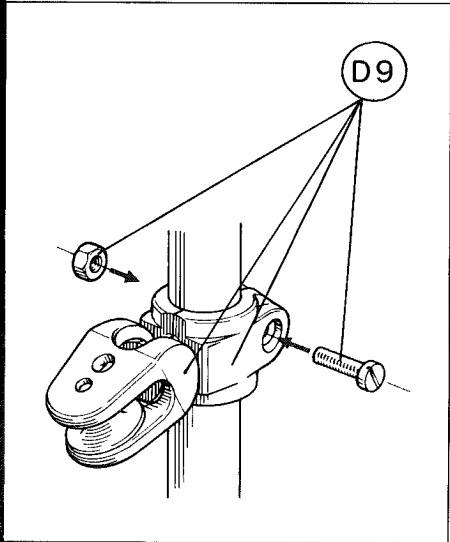
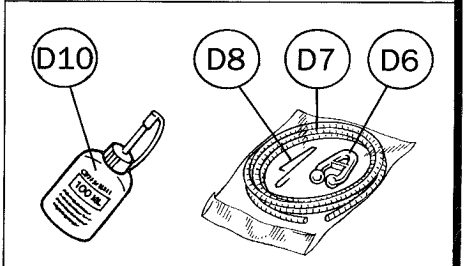
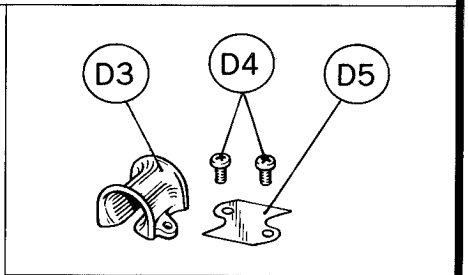
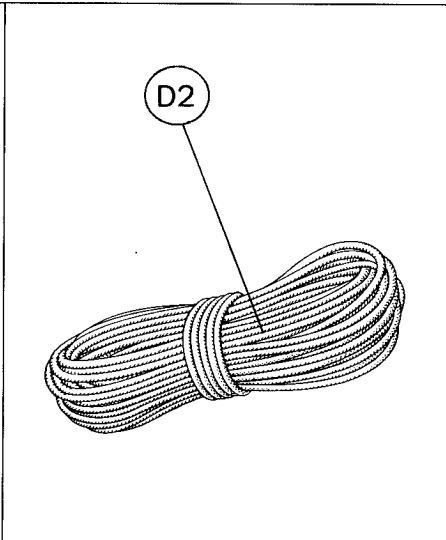
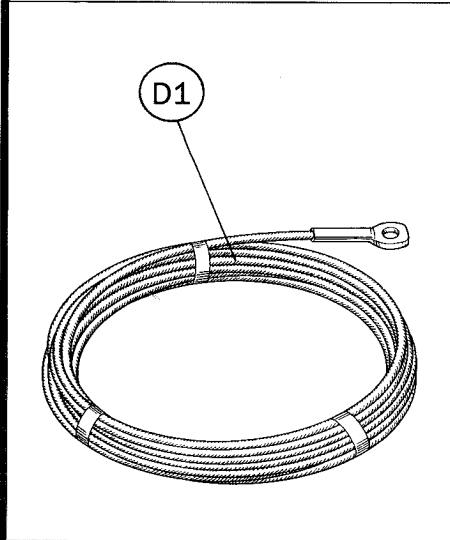
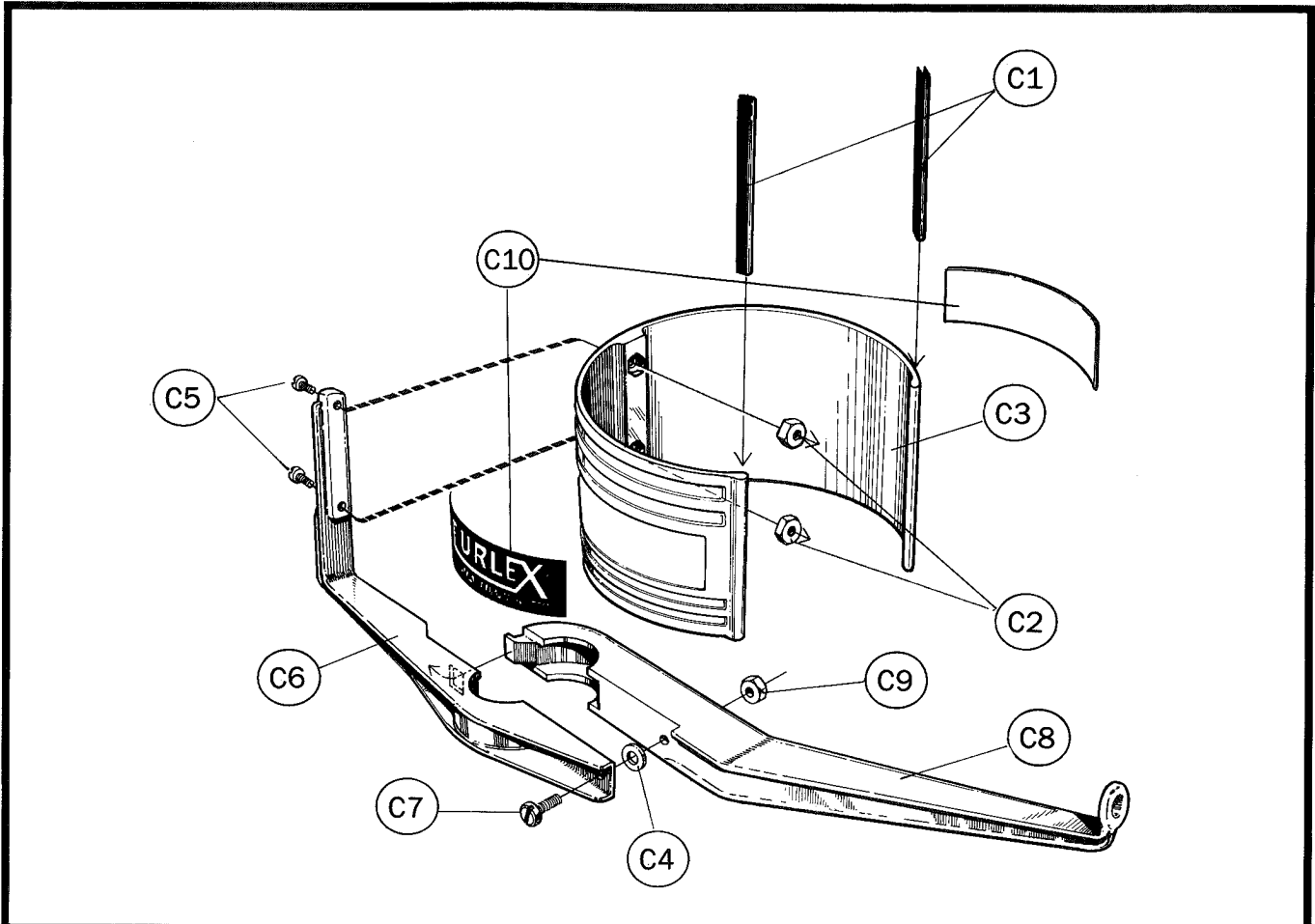
Item	Description	Dimension	Qty.	Forestay wire size		
				ø6 mm	ø7 mm	ø8 mm
		<b>Assembly number →</b>		<b>539-015-01</b>	<b>539-015-01</b>	<b>539-016-01</b>
C 1	Line guard saver	ø8 × 78	2	539-028 1)	539-028 1)	539-028 1)
C 2	Locking nut	M 6	2	158-005	158-005	158-005
C 3	Line guard	ø132 × 78	1	539-022 1)	539-022 1)	539-022 1)
C 4	Anti-loss washer	ø16 × ø8 × 2	1	164-032	164-032	164-032
C 5	Screw	MRX 6 × 14	2	155-623	155-623	155-623
C 6	Line guard bracket	Part No marked	1	539-015	539-015	539-016
C 7	Screw	M8 × 20	1	153-051	153-051	153-051
C10	Label line guard	90 × 29	2	591-239	591-239	591-239
		<b>Assembly number →</b>		<b>539-009-01</b>	<b>539-009-01</b>	<b>539-010-01</b>
C 8	Line guide arm	Part No marked	1	539-009 2)	539-009 2)	539-010 2)
C 9	Locking nut	M 8	1	158-006	158-006	158-006
1)	Only as a package C1-C3, C5, C10		1	539-022-01	539-022-01	539-022-01
2)	Only as a package C8-C9		1	539-009-01	539-009-01	539-010-01

## DESCRIPTION D

Item	Description	Dimension	Qty.	Forestay wire size		
				ø6 mm	ø7 mm	ø8 mm
D 1	Forestay wire	L = 13000		601-004-26 *)	—	—
D 1	Forestay wire	L = 15400		601-004-27	601-005-23	601-006-23
D 1	Forestay wire	L = 17800		—	601-005-24	—
D 2	Furling line	ø8, L = 25000		611-021-01	611-021-01	611-021-01
	<b>Halyard lead set</b>	<b>Assembly number →</b>		<b>508-159-03</b>	<b>508-159-03</b>	<b>508-159-03</b>
D 3	Halyard lead	ø14-35	1	508-159 5)	508-159 5)	508-159 5)
D 4	Selftapping screw	MRX-TT 6 × 12	2	155-703 5)	155-703 5)	155-703 5)
D 5	Insulator	35 × 41	1	530-632 5)	530-632 5)	530-632 5)
	<b>Prefeeder package</b>	<b>Assembly number →</b>		<b>505-515-03</b>	<b>505-515-03</b>	<b>505-515-03</b>
D 6	Prefeeder	ø12 × 44	1	505-515 3)	505-515 3)	505-515 3)
D 7	Rubber cord	ø6, L = 1200	1	614-010-03 3)	614-010-03 3)	614-010-03 3)
D 8	Hook for rubber cord	ø1,2 × 53	1	539-047 3)	539-047 3)	539-047 3)
D 9	Stanchion block	For ø25 mm	1	538-971-01	538-971-01	538-971-01
D 9	Stanchion block, 4-pack	For ø25 mm	4	538-971-02	538-971-02	538-971-02
D10	Locking adhesive		1	312-305	312-305	312-305
D11	Luff extrusion sample	Type B, L = 140	1	539-035	539-035	539-035
D12	Manual (english text)	A4	1	595-018-E	595-018-E	595-018-E
D12	Manual (swedish text)	A4	1	595-018-S	595-018-S	595-018-S
D12	Manual (german text)	A4	1	595-018-T	595-018-T	595-018-T
D13	Spare parts list	A4		595-030-E	595-030-E	595-030-E
D16	Lubricating grease	ca 100 gram	1	312-501	312-501	312-501
		<b>Assembly number →</b>		<b>539-046-01</b>	<b>539-046-01</b>	<b>539-046-01</b>
D14	Top guard	ø44 × 60	1	539-046 4)	539-046 4)	539-046 4)
D15	Screw	CSS B4,8 × 9,5	2	171-019	171-019	171-019
3)	Only as a package D6-D8		1	505-515-03	505-515-03	505-515-03
4)	Only as a package D14-D15		1	539-046-01	539-046-01	539-046-01
5)	Only as a package D3-D5		1	508-159-03	508-159-03	508-159-03

\*) 601-004-43 can also be used.





**DESCRIPTION E****LUFF EXTRUSION 1000 MM**

Item	Description	Dimension	Qty.	Forestay wire size		
				ø6 mm	ø7 mm	ø8 mm
		<b>Assembly number→</b>		<b>539-032-02</b>	<b>539-032-02</b>	<b>539-032-02</b>
E 3	Luff extrusion	31/20, L = 1000	1	539-032	539-032	539-032
E 5	Joint sleeve	19/16, L = 1185	1	539-048	539-048	539-048

E 1	Sail feeder	Part No marked	1	505-508	505-508	505-508
E 2	Sail feeder connector	Part No marked	1	505-509	505-509	505-509
E 6	Connecting spring	ø3,2 × 103	1	308-018	308-018	308-018

**LUFF EXTRUSION 2000 MM**

		<b>Assembly number→</b>		<b>539-031-02</b>	<b>539-031-02</b>	<b>539-031-02</b>
E 7	Luff extrusion	31/20, L = 2000	1	539-031	539-031	539-031
E 8	Distance tube	ø18/15 × 1800	1	535-623	535-623	535-623
E 9	Joint sleeve	19/16, L = 200	1	539-045	539-045	539-045

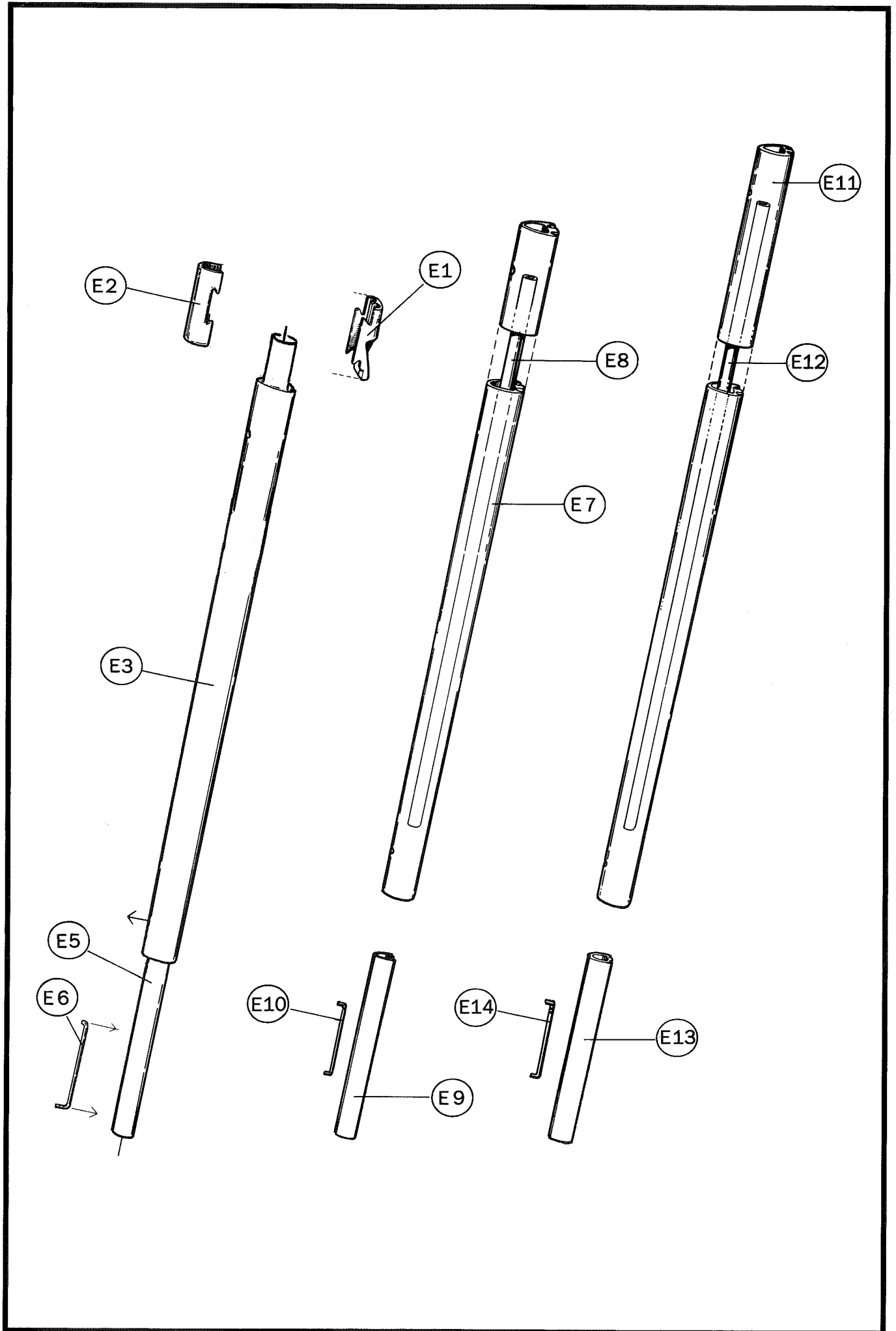
E10	Connection spring	ø3,2 × 144	1	308-022	308-022	308-022
-----	-------------------	------------	---	---------	---------	---------

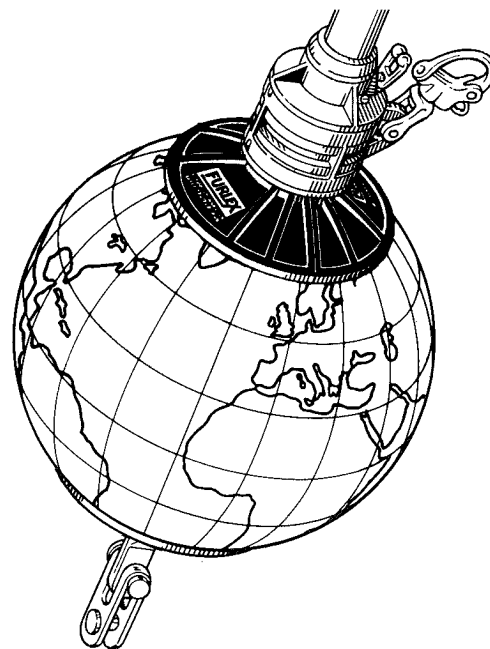
**LUFF EXTRUSION 2400 MM**

		<b>Assembly number→</b>		<b>539-030-02</b>	<b>539-030-02</b>	<b>539-030-02</b>
E11	Luff extrusion	31/20, L = 2400	1	539-030 1)	539-030 1)	539-030 1)
E12	Distance tube	18/15 × 2200	1	535-624 1)	535-624 1)	535-624 1)
E13	Joint sleeve	19/16, L = 200	1	539-045 1)	539-045 1)	539-045 1)

E14	Connection spring	ø3,2 × 144	1	308-022 1)	308-022 1)	308-022 1)
-----	-------------------	------------	---	------------	------------	------------

1)	E11-E14 also as a package		1	539-030-07	539-030-07	539-030-07
----	---------------------------	--	---	------------	------------	------------





**Bäste FURLEX-ägare,**

*FURLEX säljs genom ett nät av auktoriserade återförsäljare som täcker alla marina marknader runt om i världen.*

*Auktorisationen omfattar praktisk och teoretisk utbildning i hur FURLEX-systemet är uppbyggt. Denna kunskap innebär professionell service till Dig som FURLEX-ägare.*

*Vi önskar Dig mycket skön segling och hoppas att denna återförsäljarlista kan vara till nytta om Du någon gång behöver kontakta en återförsäljare för service.*

**Dear FURLEX owner,**

*FURLEX is supplied via an extensive network of authorized dealers who cover the major sailing areas of the world. The authorization ensures that each dealer is fully versed in the design, assembly and operation of FURLEX — and is guarantee of professional service.*

*We wish you much enjoyable and carefree sailing and hope that this dealer-list will be of help should you ever require professional advice or assistance.*

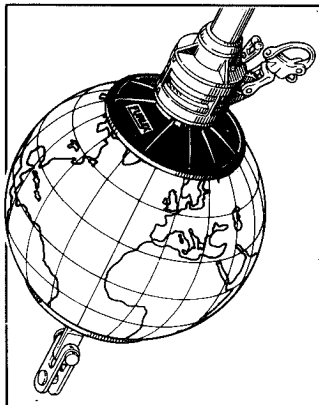
**Lieber FURLEX-Eigner,**

*FURLEX wird über ein weltweites Netz von autorisierten Fachhändlern in den meisten Segelsportregionen verkauft.*

*Die Autorisierung dieser Fachhändler erfolgt nach einer gründlichen theoretischen und praktischen Schulung in der FURLEX-Technik und stellt sicher, dass nicht nur ein qualifizierter Verkauf erfolgt, sondern dass auch bei Bedarf ein fachgerechter Kundendienst gewährleistet ist. Wir wünschen Ihnen angenehmes und problemloses Segeln mit Ihrer FURLEX.*

*Wenn Sie jedoch einmal ein Problem haben sollten, können Sie sich an einen der folgenden FURLEX-Fachbetriebe wenden.*

# World Wide Rapid Access to our Know-How



The Seldén Group is one of the world's largest manufacturers of spars and rigging systems for yachts between 2 and 30 tonnes displacement. The acquisition of Kemp Masts in England has strengthened this position further.

At Seldén and Kemp, we are sailors. Our extensive sailing experience combined with practical engineering knowledge are at the heart of our business. This guarantees care, attention to detail and a total commitment to quality.

With design and production facilities on Sweden's West Coast and England's South Coast, we are able to test and refine our products under tough, practical, sea-going conditions.

Quality control does not stop at the production line. It is our Group policy to encourage a high regard for quality right through the distribution and service network – for the benefit of our customers.

Based on our global success with Furlex, we have built up a network of 420 authorized dealers covering the marine markets of the world. This gives you quick access to service, spare-parts and know-how wherever you may happen to be. Have Confidence!

Dealer:



## SELDÉN

Seldén Mast AB  
Redegatan 11, 426 77 V. Frölunda, Sweden  
Telephone 031-69 69 00 Int +46 31 69 69 00  
Telefax 031-29 71 37 Int +46 31 29 71 37

## KEMP

a Seldén Group Company  
Kemp Masts Ltd, St. Margarets Lane, Titchfield, Fareham,  
Hampshire PO14 4 BG, England  
Telephone Int 44 1329 84 19 00 Telefax Int 44 1329 84 70 52