

Modification of sloping deck Furlex TD

When angle between forestay and deck is $<72^\circ$ or $>74^\circ$ a modification of deck is needed. Note that a modification might be necessary both fore and aft (Fig. 2) so that the drum does not interfere with underside of deck as shown in Fig.1.

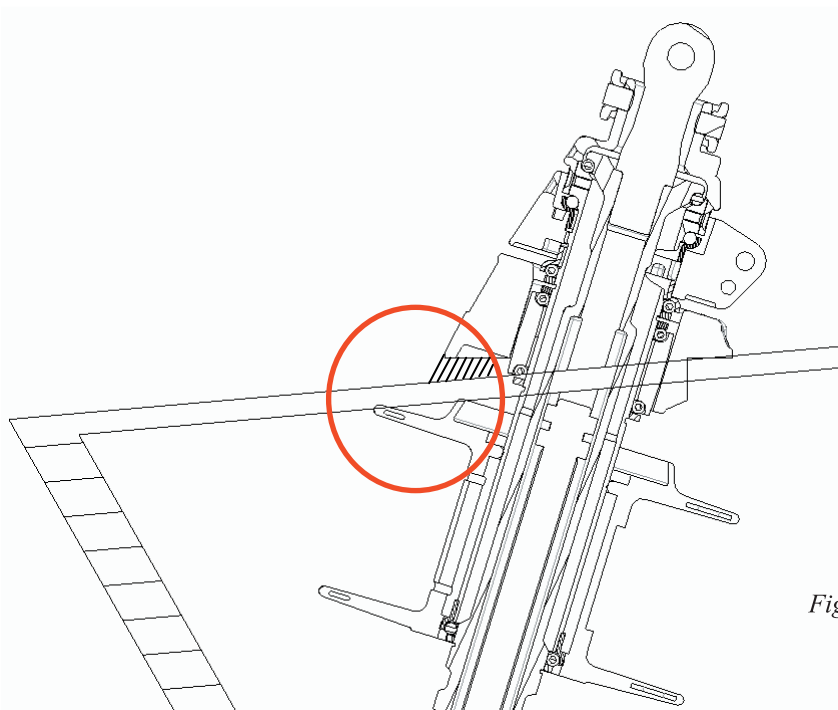


Fig. 1

A=
200 TD: 20mm Nom.
300 TD: 20mm Nom.
400 TD: 25mm Nom.
Play between drum and
deck should not be less
than 5mm here.

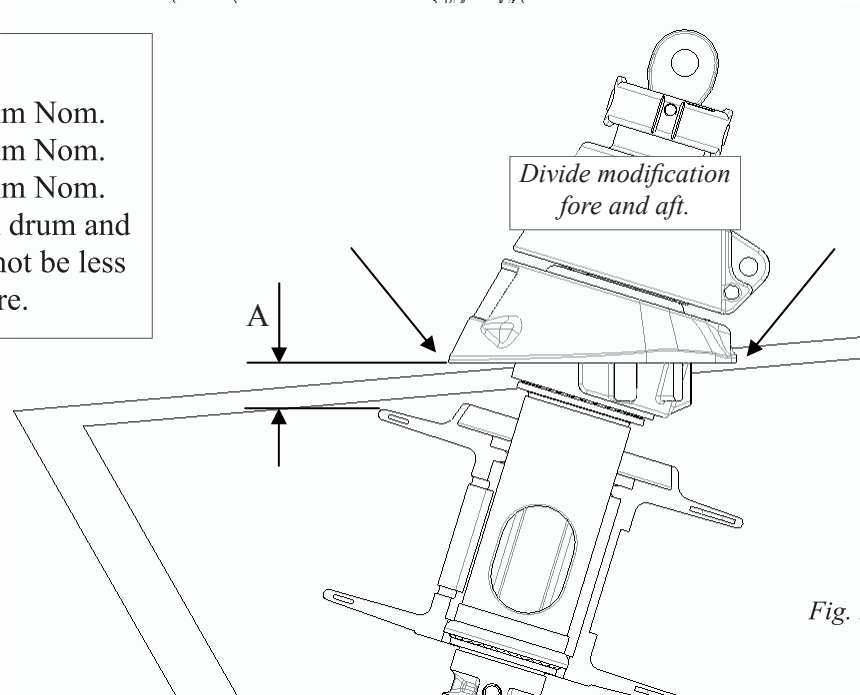


Fig. 2



www.seldenmast.com