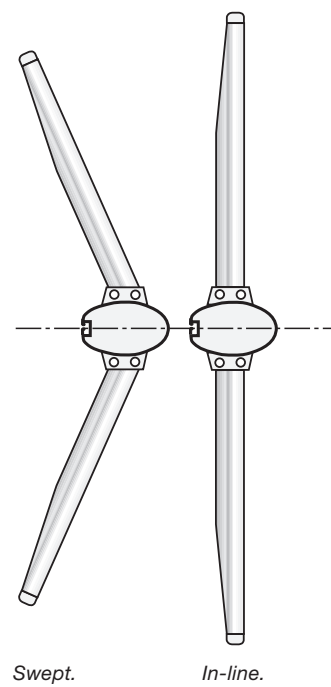
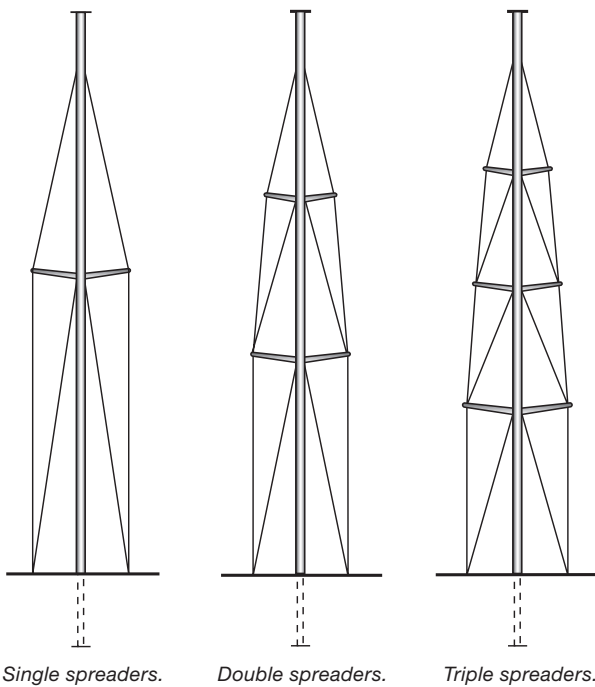


Spreaders

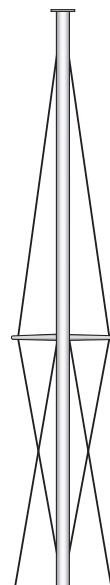



Seldén T-spreaders for C-sections and F-sections.



Jumper arrangement

This arrangement is almost exclusively designed for fractionally rigged yachts. The jumper struts are normally angled forward. It stays the topmast, not only athwartships but also fore and aft. A jumper arrangement might be necessary when using a masthead gennaker/spinnaker or for stabilising the head of a mainsail.



A close-up photograph of a vertical mast structure. A horizontal spreader bar is attached to the mast using a through-mast fitting. Two stay cables are attached to the ends of the spreader bar. The mast has a ribbed texture. The background is a plain, light color.

The C-section's and F-section's spreader fitting is a through-mast design which provides strength as well as a smooth and elegant appearance. The shroud fittings for the lower or middle shrouds are integrated into the spreader attachment. This reduces the number of fittings on the mast, and keeps weight down.