

Furlex Electric 400E

Type	Forestay dia. mm	L mm	H3 mm	HW mm	W2 mm	D2 diam. mm	H2 mm
400E	12	314	159	218	21	20	135
	14				23	22.5	

All the power you need

Furlex Electric is now also available for Ø 12 mm and Ø 14 mm forestays. The push-button performance of a Furlex Electric makes pulling on the furling line a thing of the past.

Upgrade your manual Furlex

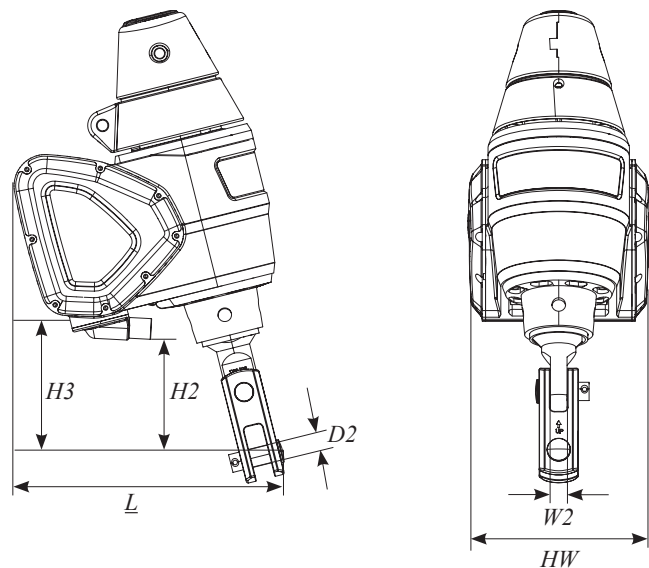
Push-button performance is an easy upgrade for anyone who already has a manual Furlex 400S. The furling line, drum and line guard assembly are simply replaced with a Furlex Electric motor unit. No sail conversion is required as the luff length of your existing sail is unaffected.



Type	Forestay dia. mm	Max. forestay length, m	Furlex Electric assemblies (excl. control pack)						Control pack Part no.	
			Standard version Part no.		Incl. rigging screw Part no.		TD version (through-deck) Part no.		12V	24V
			12V	24V	12V	24V	12V	24V		
400E	12	17.7	049-034-11	049-034-16	049-034-21	049-034-26	049-034-31	049-034-36	532-468-01	532-469-01
	12	20.1	049-034-12	049-034-17	049-034-22	049-034-27	049-034-32	049-034-37		
	12	22.5	049-034-13	049-034-18	049-034-23	049-034-28	049-034-33	049-034-38		
	14	20.1	049-034-14	049-034-19	049-034-24	049-034-29	049-034-34	049-034-39		
	14	22.5	049-034-15	049-034-20	049-034-25	049-034-30	049-034-35	049-034-40		

Type	Forestay dia. mm	Retro-fit installation kit incl. control pack Part no.	
		12V	24V
400E	12	539-763-11	539-763-21
	14	539-763-13	539-763-23

Extension links	Part no.
Ø 12 mm eye/fork, L=190 mm	517-072-01
Ø 14 mm eye/fork, L=190 mm	517-073-01



SELDÉN and FURLEX are registered trademarks of Seldén Mast AB

Seldén Mast AB, Sweden Tel +46 (0)31 69 69 00. Fax +46 (0)31 29 71 37. e-mail info@seldenmast.com

Seldén Mast Limited, UK Tel +44 (0)1329 50 40 00. Fax +44 (0)1329 50 40 49. e-mail info@seldenmast.co.uk

Seldén Mast Inc., USA Tel +1 843-760-6278. Fax +1 843-760-1220. e-mail info@seldenus.com

Seldén Mast A/S, Denmark Tel +45 39 18 44 00. Fax +45 39 27 17 00. e-mail info@seldenmast.dk

Seldén Mid Europe B.V., Netherlands Tel +31 (0) 111-698 120. Fax +31 (0) 111-698 130. e-mail info@seldenmast.nl

Seldén Mast, France Tel +33 (0) 251 362 110. Fax +33 (0) 251 362 185. e-mail info@seldenmast.fr

www.seldenmast.com



SELDÉN
for sailing