



CXe 25 *CXe 45*

ELECTRIC CODE 0 FURLING SYSTEM



Watch video



 **SELDÉN**

Relax and enjoy the power of Code 0 sailing - Effortlessly

CX electric



CXe 25 *CXe 45*

ELECTRIC CODE 0 FURLING SYSTEM



Having a furling Code 0 sail set on the bowsprit will deliver the joy that powerful and efficient sailing provides. Combined with a furling jib you will have the ultimate headsail wardrobe from broad reaching to beating upwind, all without leaving the cockpit. The addition of push button convenience guarantees an effortless sailing experience.

POWERED BY
SEL Bus



CXe 25 TD
CXe 45 TD

(Through Deck)

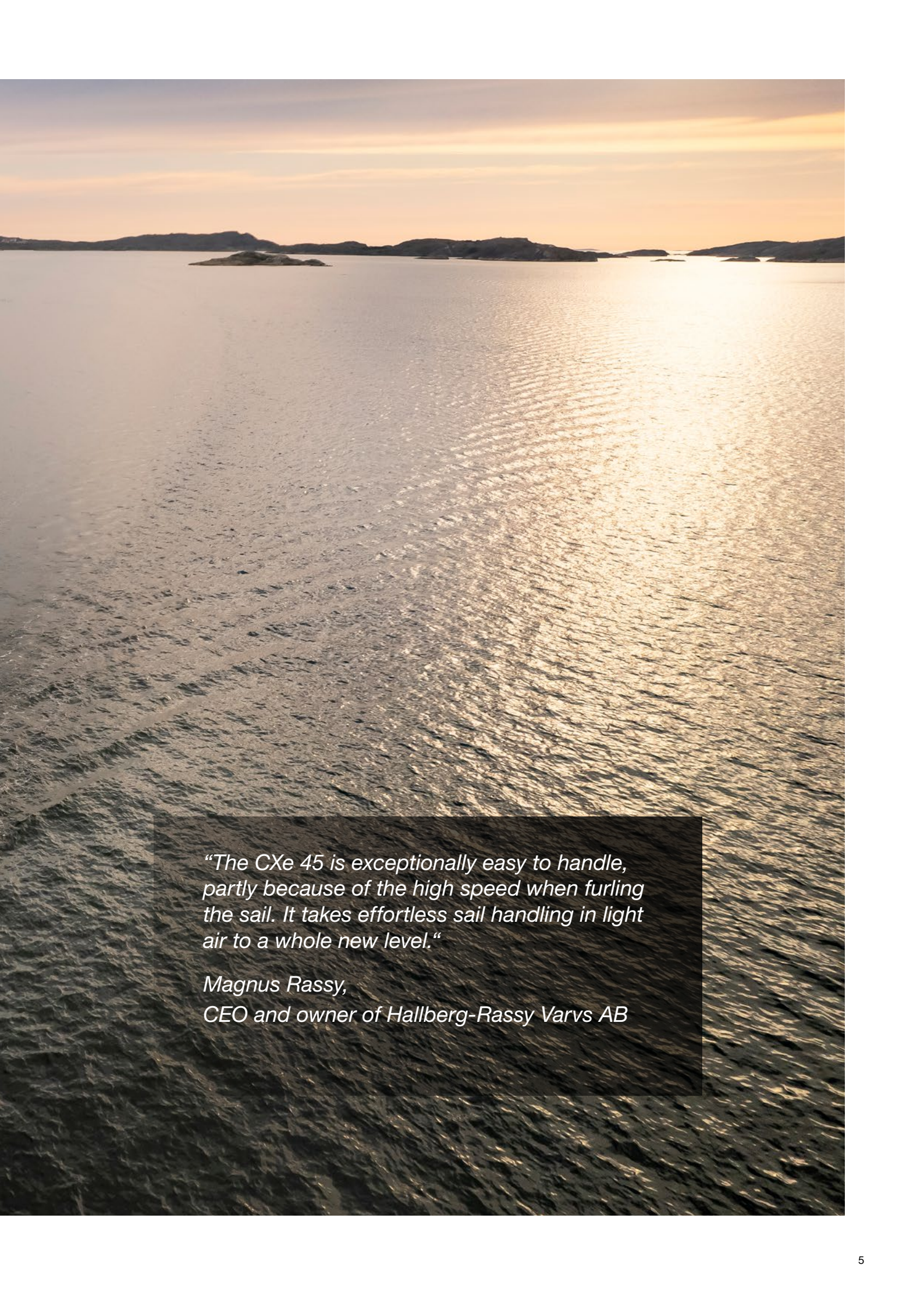


CXe 25 OD
CXe 45 OD

(On Deck)







“The CXe 45 is exceptionally easy to handle, partly because of the high speed when furling the sail. It takes effortless sail handling in light air to a whole new level.”

*Magnus Rassy,
CEO and owner of Hallberg-Rassy Varvs AB*

On Deck or Through Deck

CXe can be integrated into the bow or bowsprit with a through-deck installation. This permanent installation is always available, ready for the furled sail to be connected.

The on-deck installation of CXe requires no modification of the deck or bowsprit. Just attach it to a pad-eye and connect the cable on deck or in the anchor locker.

Model	Art. No.	Parts included
CXe25 OD	545-455-18	Drive unit
CXe25 OD	545-455-19	Drive unit & halyard swivel
CXe45 OD	545-455-20	Drive unit
CXe45 OD	545-455-21	Drive unit & halyard swivel



Model	Art. No.	Parts included
CXe25 TD	545-455-28	Drive unit
CXe25 TD	545-455-29	Drive unit & halyard swivel
CXe45 TD	545-455-30	Drive unit
CXe45 TD	545-455-31	Drive unit & halyard swivel

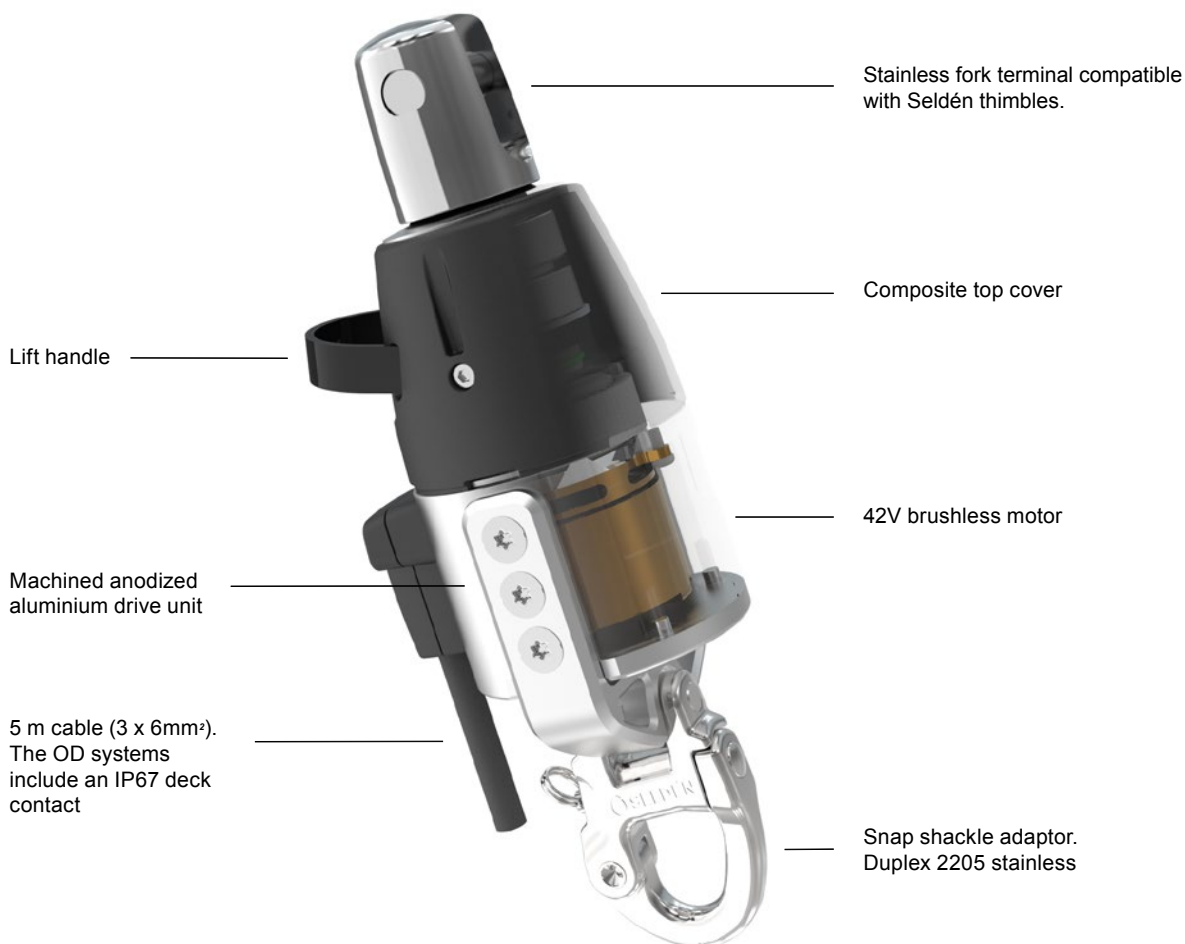


Captive pin with spring loaded clutch. Operates with one hand.

On the technical side

Like other electric functions from Seldén, CXe runs on SEL-Bus and a Power Supply Unit (PSU) converting 12V or 24V to 42V. SEL-Bus is a can-bus system with software that combines intelligence and power on board to sense and adapt loads for maximum efficiency and safety. Once you have installed SEL-Bus you can connect additional functions and run them all on the same PSU. 42V allows for smaller power cables (6 mm²) and a compact brushless motor.

Max working load, kN	CXe 25: 25	CXe 45: 45
Max suggested sail area, m ²	CXe 25: 115	CXe 45: 200
AT-cable, diameter, mm	CXe 25: 13	CXe 45: 15
Operation	2-speed	
Rev. per minute (slow/high speed)	220/500	
Voltage, V	42	
Current consumption, Ah, Nominal, 12V	0,13 Ah (Nominal 50 A, 10 seconds)	
Current consumption, Ah, Nominal, 24V	0,07 Ah (Nominal 25 A, 10 seconds)	
Power, W	1000	
Motor	42V, brushless	



Accessories

Stainless protection bar for TD

Art. No

545-468



Halyard swivel

Model

Art. No.

CXe25

545-207-01

CXe45

545-435-01



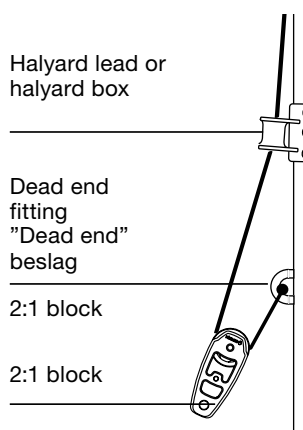
Seldén AT-Cables (Anti-Torsion)

The more torsional rigid AT-cable, the quicker and safer the sail will furl. Seldén provide the most rigid cable on the market, three times more rigid than the second best.

Model	Art. No.	Length, mm	Dimension, Ø mm
CXe25	613-022-01	16000	13
	613-022-02	19000	
	613-022-03	22000	
	613-022-04	25000	
	613-022-05	28000	
CXe45	613-023-01	19000	15
	613-023-02	22000	
	613-023-03	25000	
	613-023-04	28000	

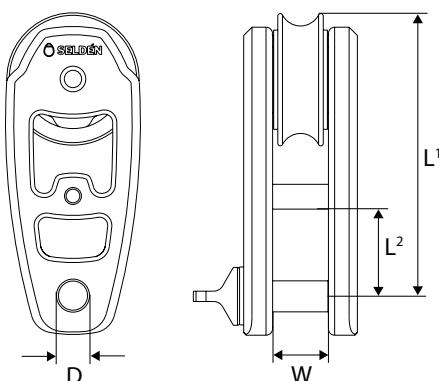
Code 0 halyard with 2:1 purchase

To boost the performance when using a Code 0, the halyard load must be higher than what normal halyard boxes and stoppers can handle. Therefore, a 2:1 purchase needs to be arranged by fixing the dead end of the halyard in the mast and letting it run through a block attached to the halyard swivel. Position on the mast must be specified by Seldén. In most cases Code 0 sails need to be hoisted lower than gennakers and spinnakers.



Block for 2:1 purchase

Modell	Art. nr.	Dim.	Vikt, g	L ¹	L ²	W	D	Max. arbetslast, kg	Brottlast, kg	Max. lindimension, mm
CXe 25	404-501-01R	40	187	85	26	18	10	2500	5000	12
CXe 45	405-501-01R	50	335	104	31	24	12	4000	8000	16



Dead end fitting

Art. No.	Mast section	Max rope, Ø mm	Max RM at 30° heel, kNm
508-843-01R	E177, E206, C137, C153, C156, C175, C180, C192, C193, C208, C211, C227, F170, F176, F185, F194, F199, F212, F217, F228	12	45
508-844-01R	E206, C225, C242, C245, C261, C264, C285, F246, F252, F265, F272, F286, F291, F305	14	180
508-838-01R	C280, C321, C365, F324, F370, F406	16	350



Thimbles for AT-cable

Model	Art. No. (2 pcs)	For AT-Cable, Ø mm
CXe25	545-216-01	12-13
CXe45	545-416-01	14-16



Cable clamps

To fit thimbles to the Seldén AT-cable. Heat shrink tubing included.

Model	Art. No. (2 pcs)	For AT-Cable, Ø mm
CXe25	301-312-01	12-13
CXe45	301-313-01	14-15



Double clamps at each end of the cable are required.

CXe for "Top-Down" furling of an asymmetric spinnaker/gennaker

The drive unit of the CXe (OD and TD) can be combined with a tack swivel adaptor for handling of an asymmetric spinnaker, often called "gennaker". The furled gennaker is permanently attached to a dedicated AT-cable with the tack swivel adaptor at the bottom and a halyard swivel at the top. The tack swivel adaptor is fitted to the CXe drive unit and the halyard swivel is hoisted with a spinnaker/gennaker halyard.

Steady as she goes!

To furl the sail, remain at apparent wind angle 90-120°. With a light pressure on the sheet, push the IN button to start the top-down furling and whilst holding it down, press the OUT button simultaneously to increase to high speed. Your asymmetric spinnaker will be completely furled in seconds.

Modell	Kit including tack swivel adaptor and GX halyard swivel	AT-cable dimension, Ø mm	Max. suggested sail area, m ²
CXe25	545-228-10	13	115
CXe45	545-428-10	15	200





SEL-Bus

Power Supply Unit. Converts 12V or 24V to 42V

Art. No.		Parts included
532-800-20	PSU start pack 12V	Power Supply Unit (PSU), main switch/fuse, SEL-Bus cables and terminals, power cables
532-800-30	PSU start pack 24V	

Control Pack

Art. No.		Parts included
532-815-70	Control pack for CXe25 and CXe45	Motor Control Unit (MCU), push buttons, SEL-Bus cables and terminals

Learn about SEL-Bus: www.seldenmast.com/products/electric-installations/

DINGHIESKEELBOATSYACHTS

Seldén Mast AB, Sweden

Tel +46 (0)31 69 69 00
e-mail info@seldenmast.com

Seldén Mast Limited, UK

Tel +44 (0)1329 50 40 00
e-mail info@seldenmast.co.uk

Seldén Mast Inc., USA

Tel +1 843-760-6278
e-mail info@seldenus.com

Seldén Mast A/S, Denmark

Tel +45 39 18 44 00
e-mail info@seldenmast.dk

**Seldén Mid Europe B.V.,
Netherlands**

Tel +31 (0)111-698 120
e-mail info@seldenmast.nl

Seldén Mast SAS, France

Tel +33 (0)251 362 110
e-mail info@seldenmast.fr

The Seldén Group is the world's leading manufacturer of mast and rigging systems in carbon and aluminium for dinghies, keelboats and yachts.

Our well known brands are Seldén and Furlex.

The worldwide success of Furlex has enabled us to build a network of over 750 authorised dealers covering the world's marine markets. So wherever you sail, you can be sure of fast access to our service, spare parts and know-how.

Seldén, Furlex and SEL-Bus are registered trademarks of Seldén Mast AB.

www.seldenmast.com

