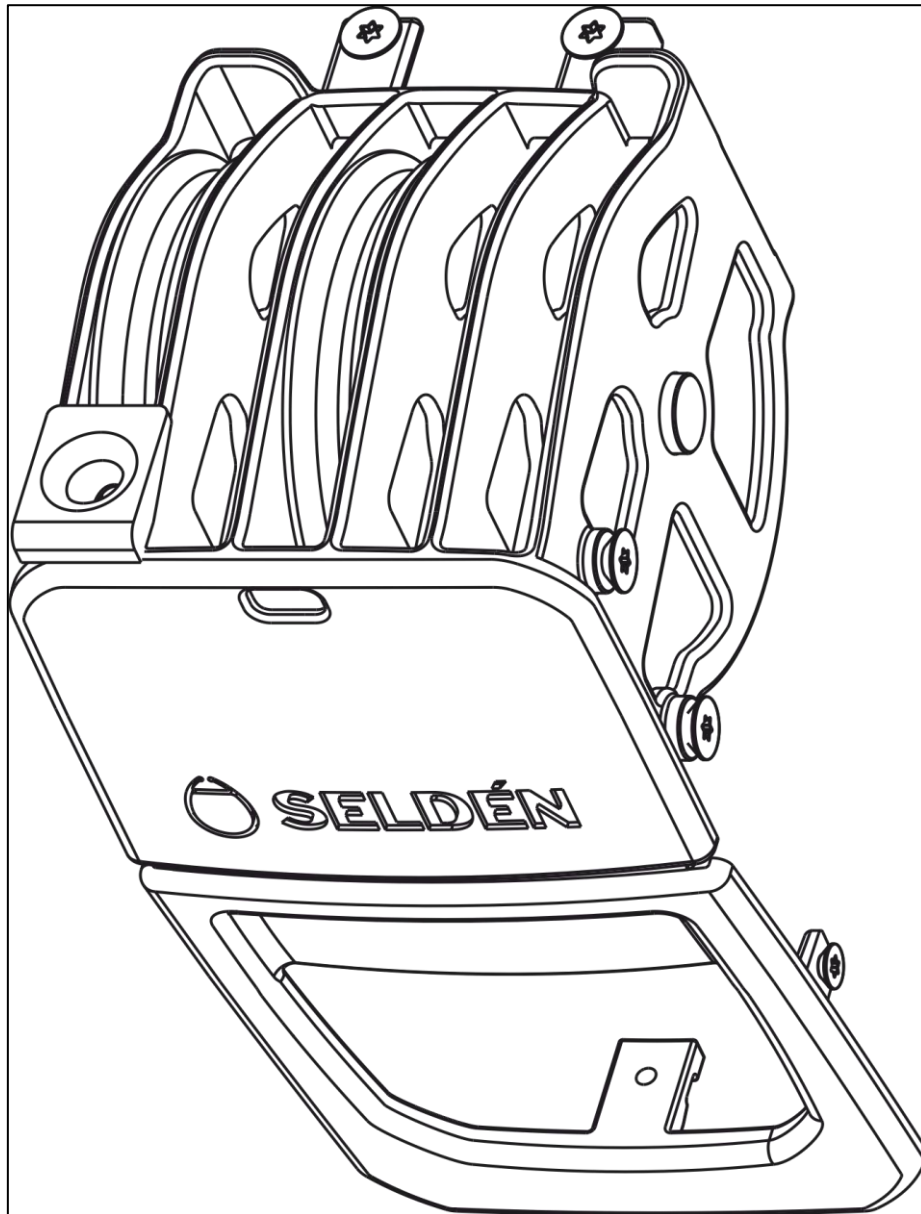


## Spare Part list B290 and B380 Hydraulic Boom



# Contents

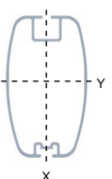
Contents.....	2
1 Hydraulic Boom B290 .....	3
1.1 Inboard End B290 .....	3
1.2 Outboard End B290 .....	4
1.3 Outhaul Car B290.....	5
1.4 Turning block B290.....	6
1.5 Running Block Outhaul B290 .....	7
1.6 Outhaul cylinder B290 .....	8
1.7 Kicker slider B290.....	9
1.8 Main sheet slider B290 .....	9
1.9 Preventer exit B290 .....	10
2 Hydraulic boom B380 .....	11
2.1 Inboard End B380 .....	11
2.2 Outboard End B380 .....	12
2.3 Outhaul Assembly B380 .....	13
2.4 Running Block Outhaul B380 .....	14
2.5 Main sheet exit block B380.....	15
2.6 Sheet running block B380.....	16
2.7 Outhaul cylinder B380 .....	17
2.8 Sheet cylinder B380.....	18
2.9 Kicker fitting B380 .....	19
2.10 Main sheet attachment B380 .....	20
2.11 Preventer exit B380 .....	20

## General information

This part list does not list the variations but gives the maximum quantities that each boom end-fitting can be fitted with for each part number. The boom end-fittings can thus easily be fitted with supplementary parts at later date. Because the same spare parts drawing is used for all gooseneck end-fittings or for all outboard end-fittings, more items are often shown on the drawing than can actual be fitted.

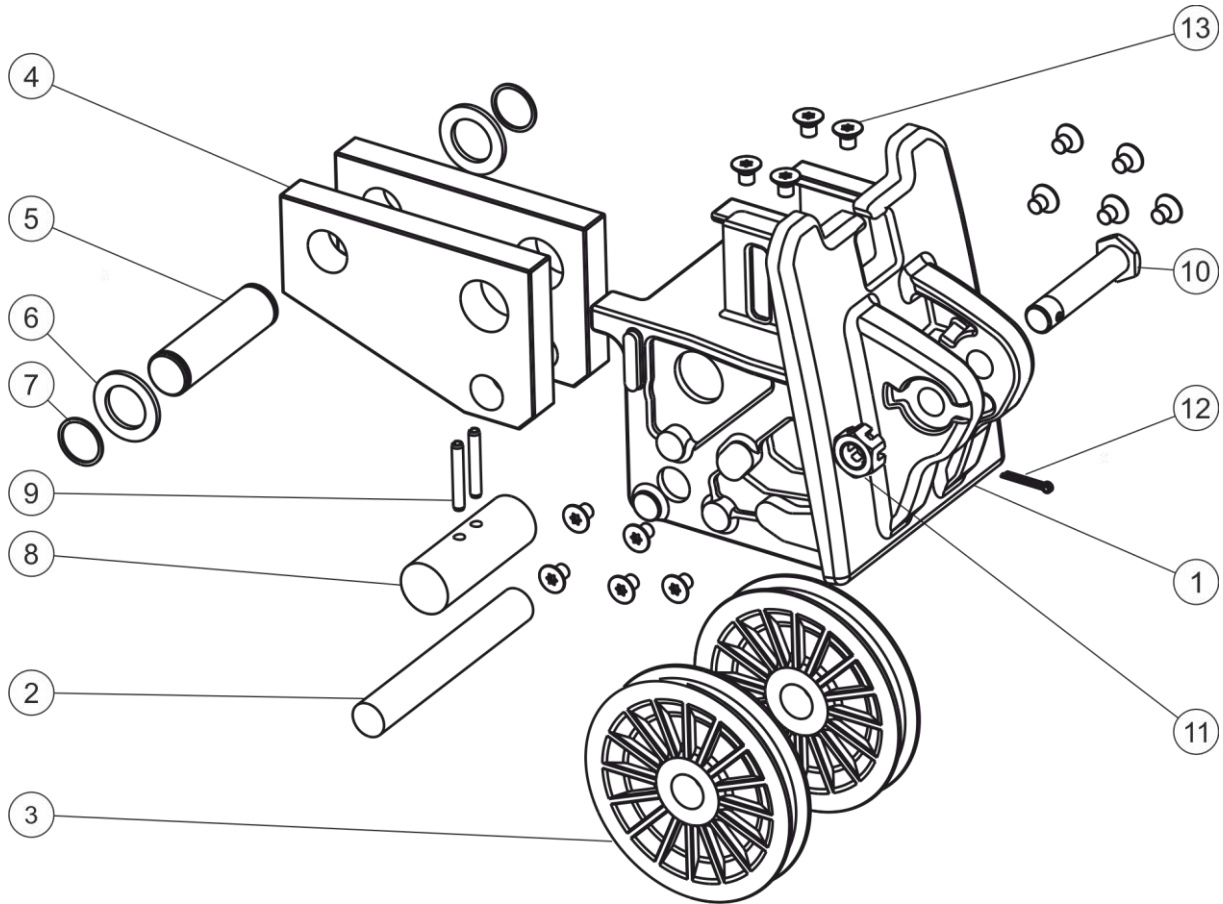
Nor are the spares drawings necessarily identical to the parts listed.

### Standard Boom Sections

	Section	Height [mm]	Width [mm]	Weight [kg/m]
	B290	290	155	11.5
	B380	380	186	17.8

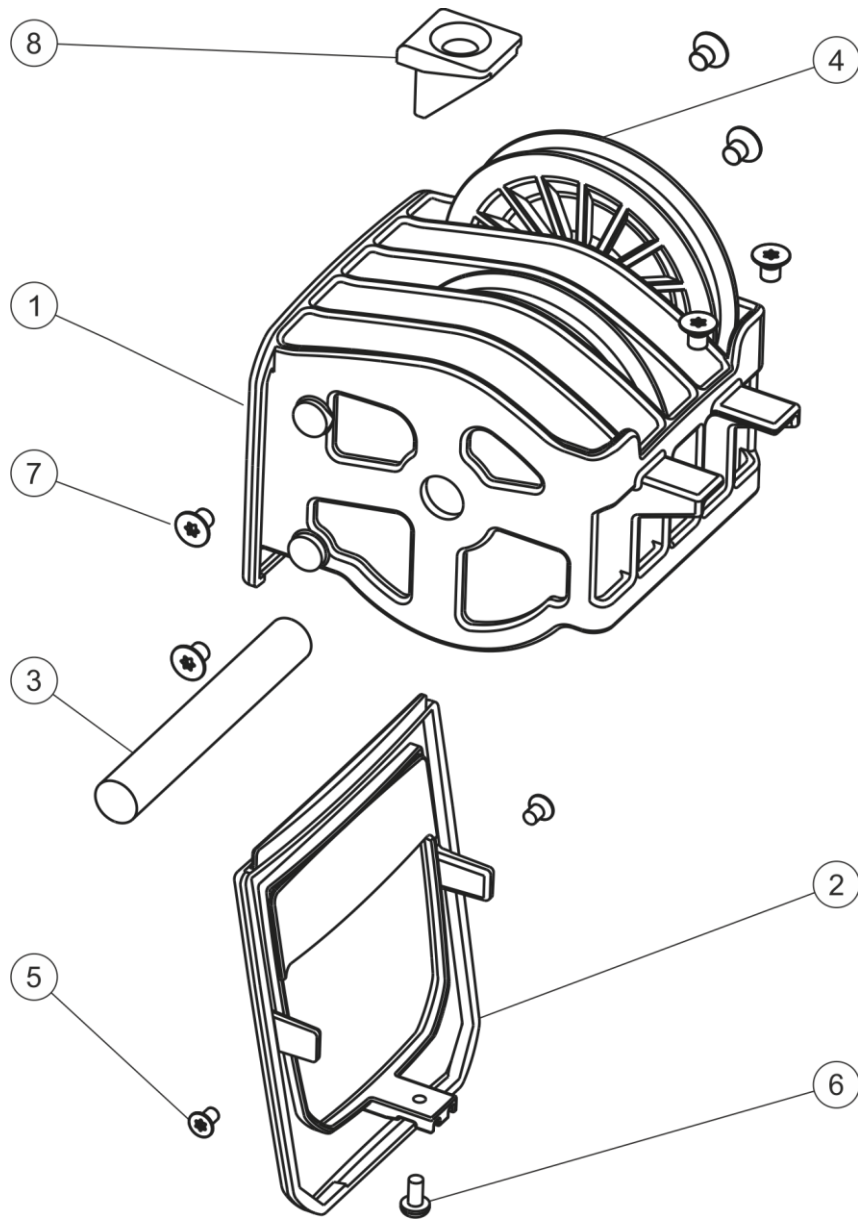
# 1 Hydraulic Boom B290

## 1.1 Inboard End B290



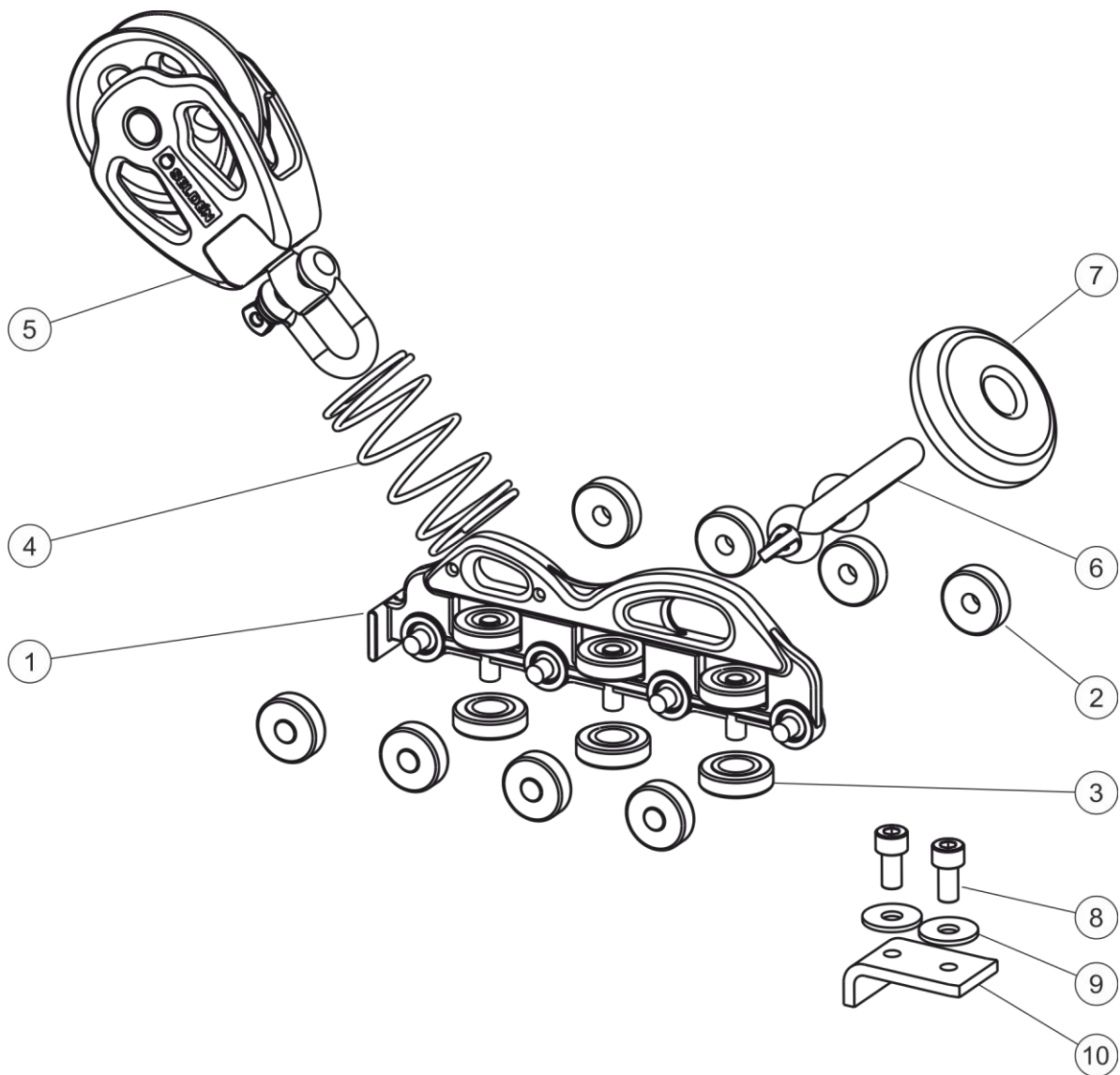
Item	Description	Dimension	Qty	Part No.
1	Inboard Boom end	209x155	1	509-054
2	Pin	ø20x145	1	166-182
3	Sheave	ø130/20-20	2	504-339
4	Link	160x60/100x20	2	550-264
5	Pin	ø25x89	1	166-343
6	Washer	ø40/25.3-3	2	164-046
7	Spirolox	WST-98-S02	2	301-526
8	Pin	ø30x88	1	166-209
9	Spring pin	ø6x40	2	166-528
10	Screw M6S	Ø16x76	1	151-005
11	Slotted nut	M16	1	156-102
12	Split pin	Ø2.9x24	1	301-013
13	Screw MFT	M8x11	14	162-055

## 1.2 Outboard End B290



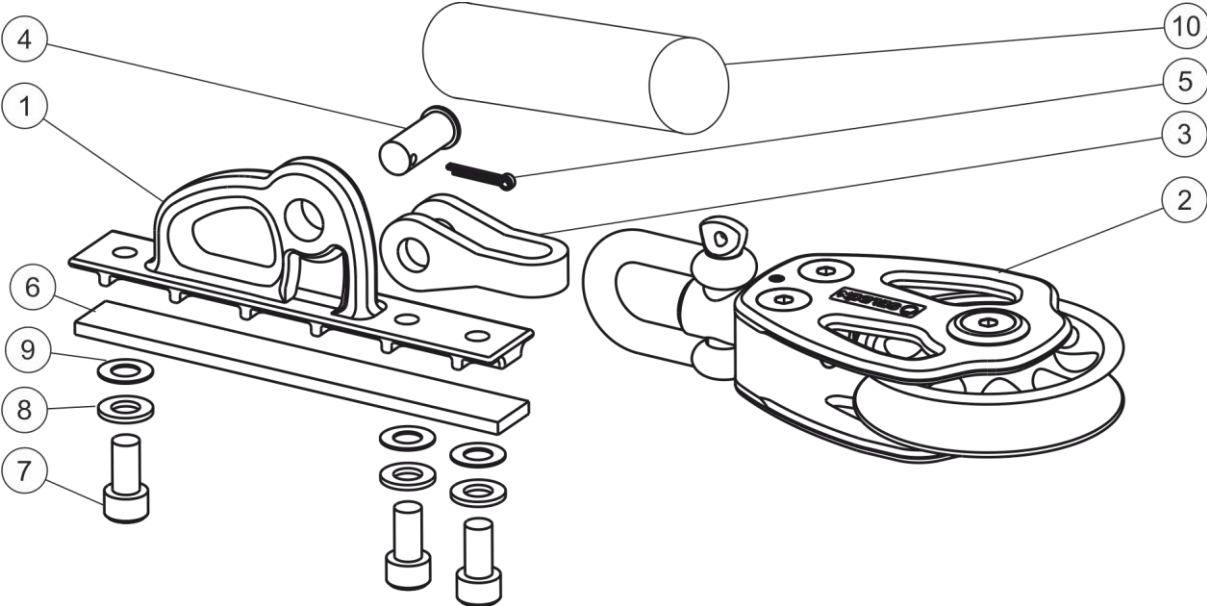
Item	Description	Dimension	Qty	Part No.
1	Outboard end	200x159x110	1	500-046
2	Outboard end cover	177x159	1	500-047
3	Pin	ø20x145	1	166-182
4	Sheave	ø130/20-20	2	504-339
5	Screw MFT	M6x10	2	162-039
6	Screw MFT	M8x11	6	162-055
7	Screw MRT	M6x12	1	155-613
8	Line stop	37x32	2	550-274

### 1.3 Outhaul Car B290



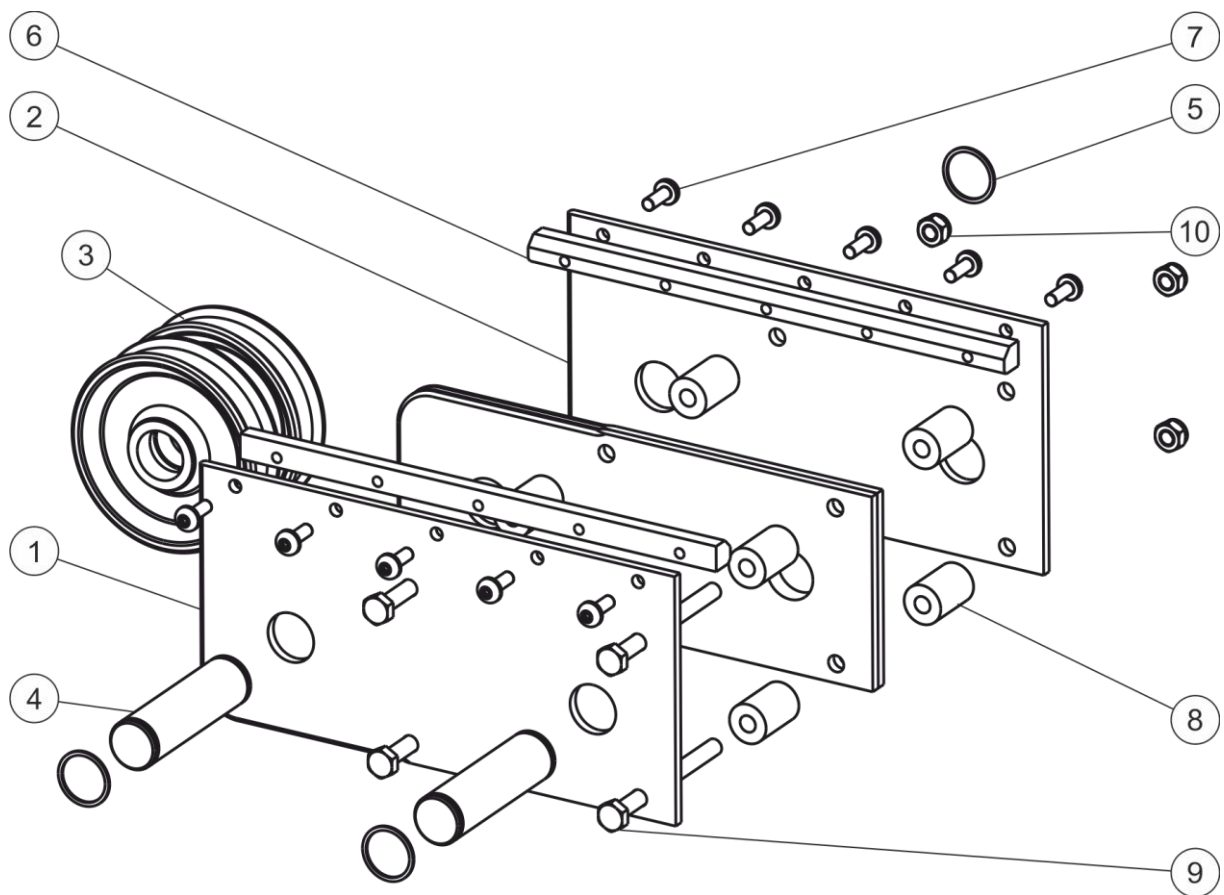
Item	Description	Dimension	Qty	Part No.
1	Outhaul car	L=240	1	511-648
2	Wheel	ø27.5/14-9.3	8	504-506-01
3	Wheel	ø30/14-8	6	504-508-01
4	Spring	ø38x72/ø2.8	1	308-037
5	Block	ø80	1	408-001-01
6	Shackle	M12x25X39	1	307-044
7	Doughnut buffer	ø70/18-20	1	319-723
8	Screw MC6S	M8x16	2	153-006
9	Washer	ø24/8.4-2	2	164-514
10	Stopper	55x30x4	1	511-652

### 1.4 Turning block B290



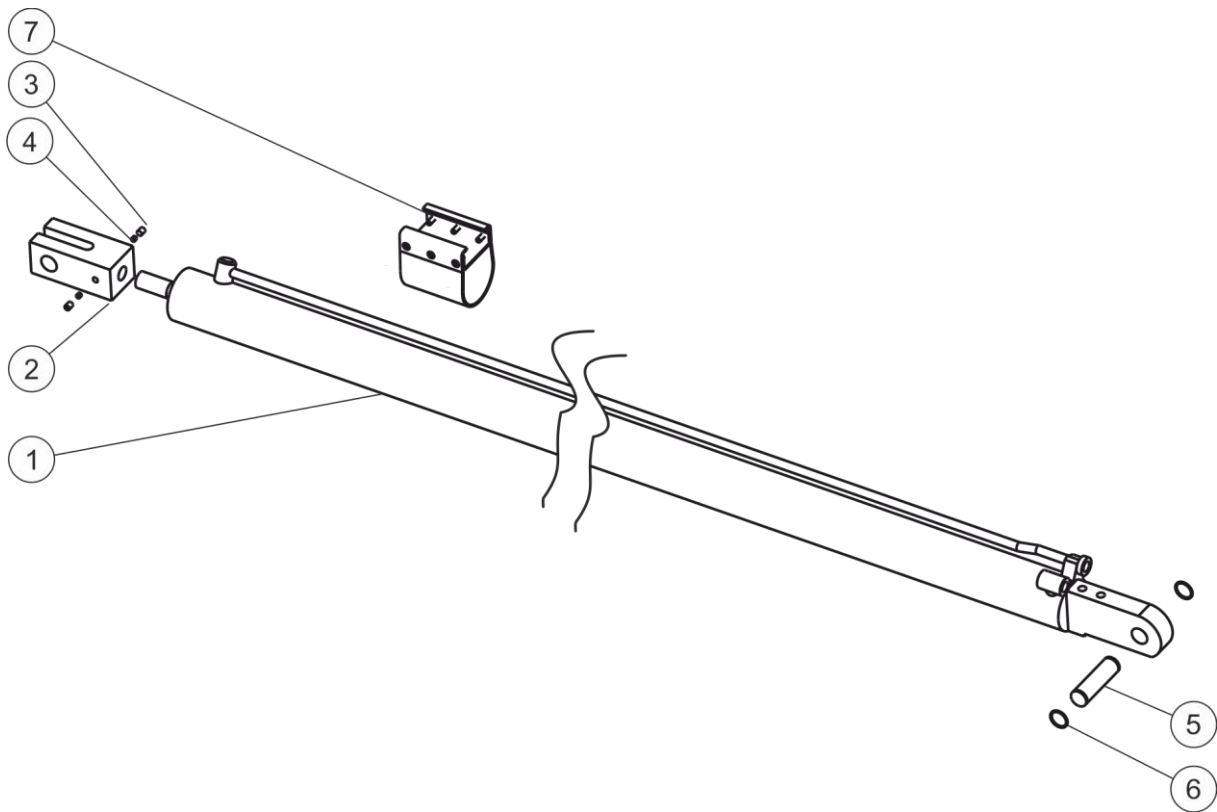
Item	Description	Dimension	Qty	Part No.
1	Slider	T-32	1	511-801
2	Block PBB100 Single	Ø100	1	410-001-01R
3	Toggle Eye/Fork	1/2 "	1	174-105
4	Clevis pin	Ø13x32	1	168-014
5	Split pin	3x20	1	301-011
6	Spacer plate	22x5x180	1	507-609
7	Screw	MC6S 10x16	3	153-011
8	Washer Stainless	M10	3	164-403
9	Washer (Insulating) PA	M10	3	164-028
10	Heat shrink	Ø38/19-90	1	319-676

## 1.5 Running Block Outhaul B290



Item	Description	Dimension	Qty	Part No.
1	Side plate	260X128X5	2	550-255
2	Centre plate	260x100x5	2	550-251
3	Sheave	ø100/25-29	2	504-062-01
4	Pin	ø25x89	2	166-343
5	Spirolox	WST-98-S02 (pin 25)	4	301-526
6	Guide	260x13x13	2	550-254
7	Screw MRT	M6x16	10	155-610
8	Spacer	ø20/8.4-30	8	306-730
9	Screw M6S	M8x90	4	151-049
10	Nut nyloc	M8	4	158-006

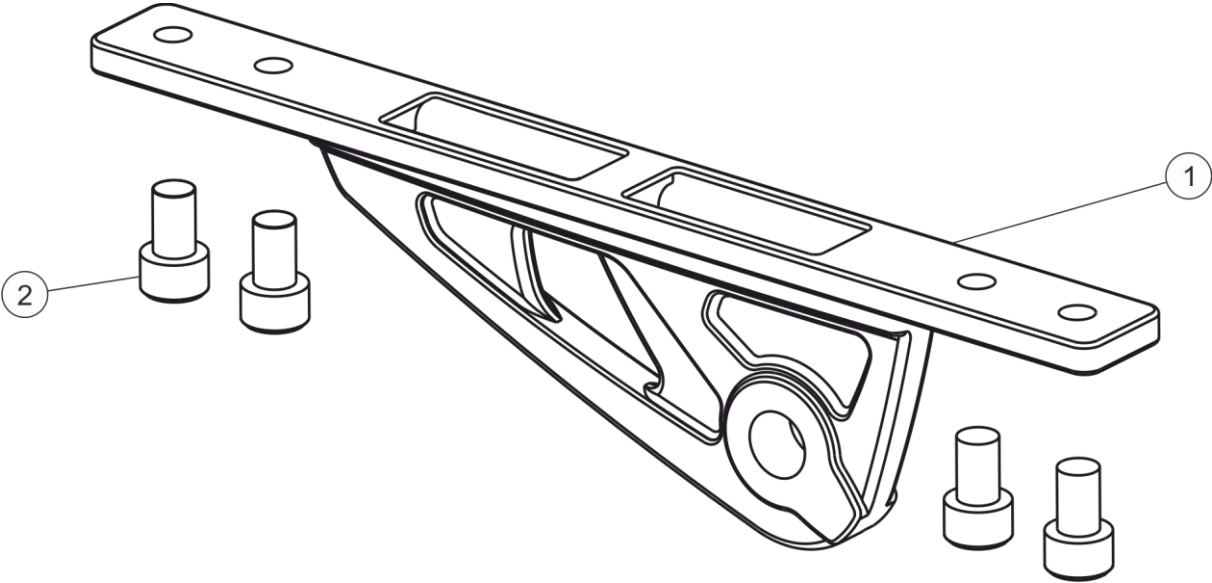
## 1.6 Outhaul cylinder B290



Item	Description	Dimension	Qty	Part No.
1	Hydraulic cylinder	ø65/25-2600	1	550-116
2	Fork	130x60x54	1	550-216
3	Grub screw	M8x10	2	153-110
4	Insert	ø6x5	2	550-211
5	Pin	ø25x89	1	166-343
6	Spirolox	WST-98-S02	2	301-526
7	Hydraulic cylinder clamp	100x83	1	550-256-01

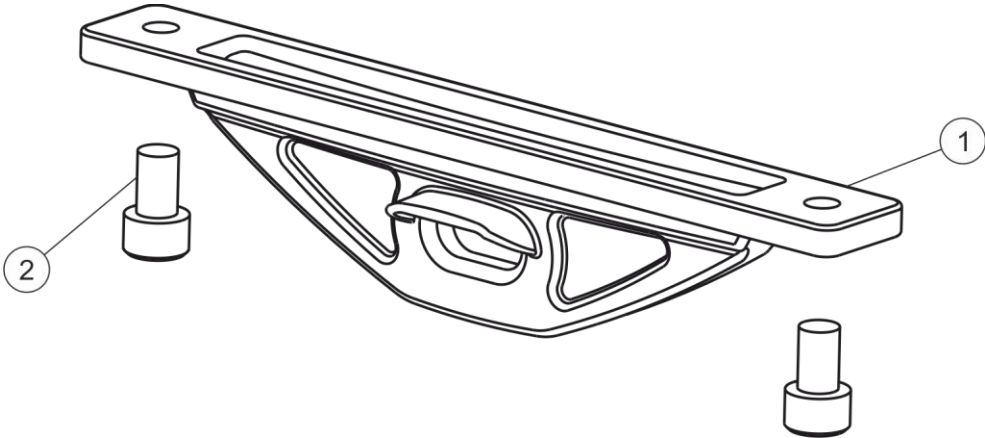


### 1.7 Kicker slider B290



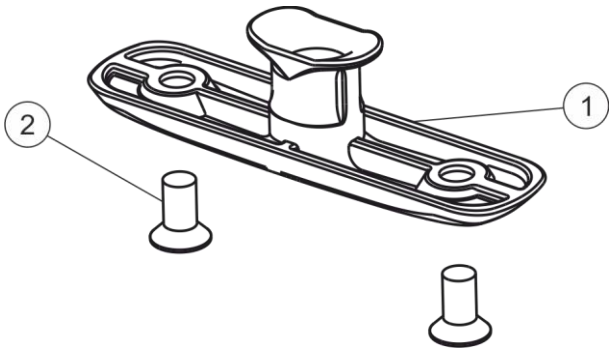
Item	Description	Dimension	Qty	Part No.
1	Kicker slider	Hole ø16.5	1	511-608-01
1	Kicker slider	Hole ø19.5	1	511-608-02
2	Screw	MC6S 10x16	2	153-011

### 1.8 Main sheet slider B290



Item	Description	Dimension	Qty	Part No.
1	Main sheet slider	T-32 L=240	1	511-616
2	Screw	MC6S 10x16	2	153-011

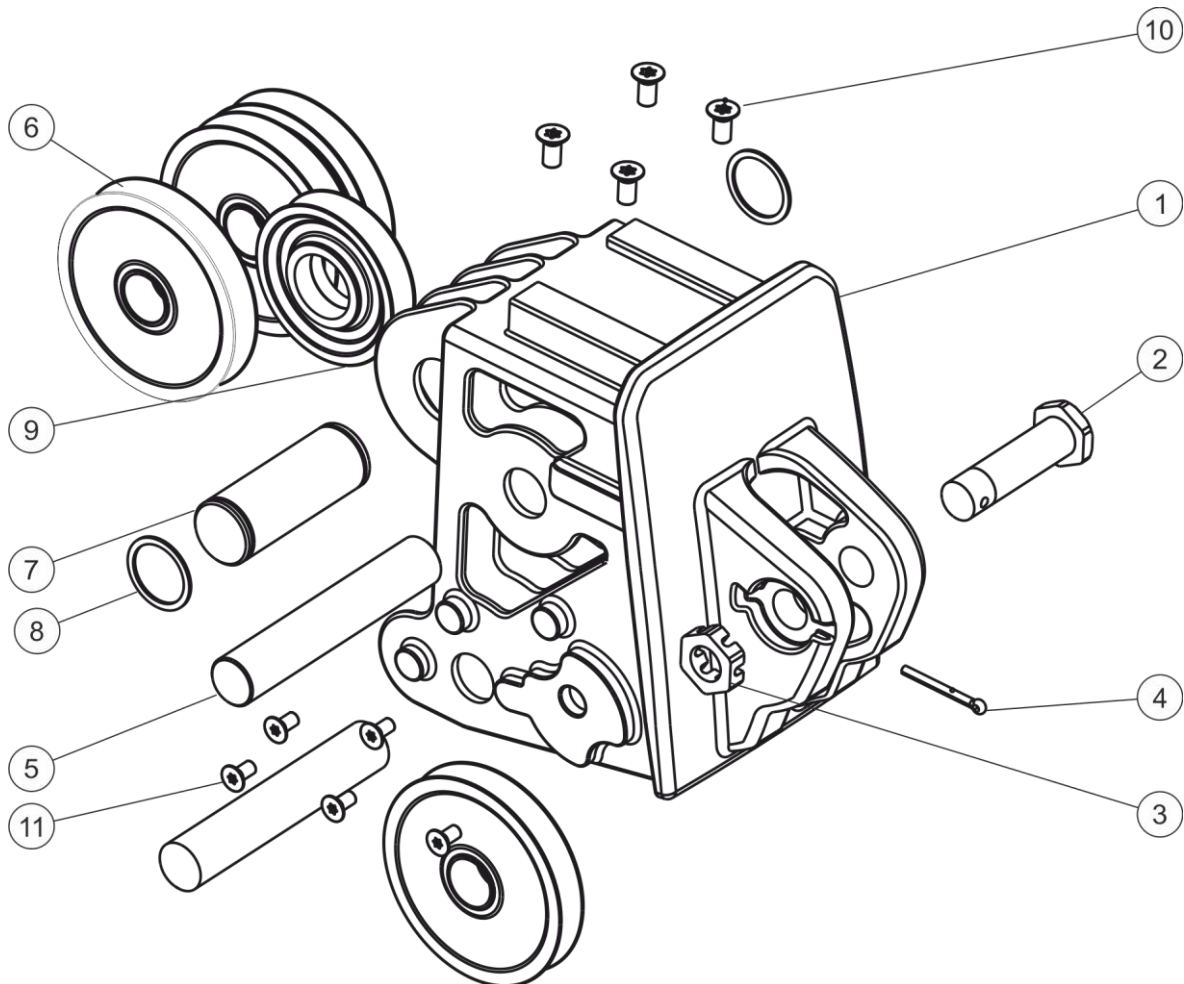
**1.9 Preventer exit B290**



Item	Description	Dimension	Qty	Part No.
1	Preventer fairlead	125x44	1	505-102
2	Screw	MFT10x30	2	162-098

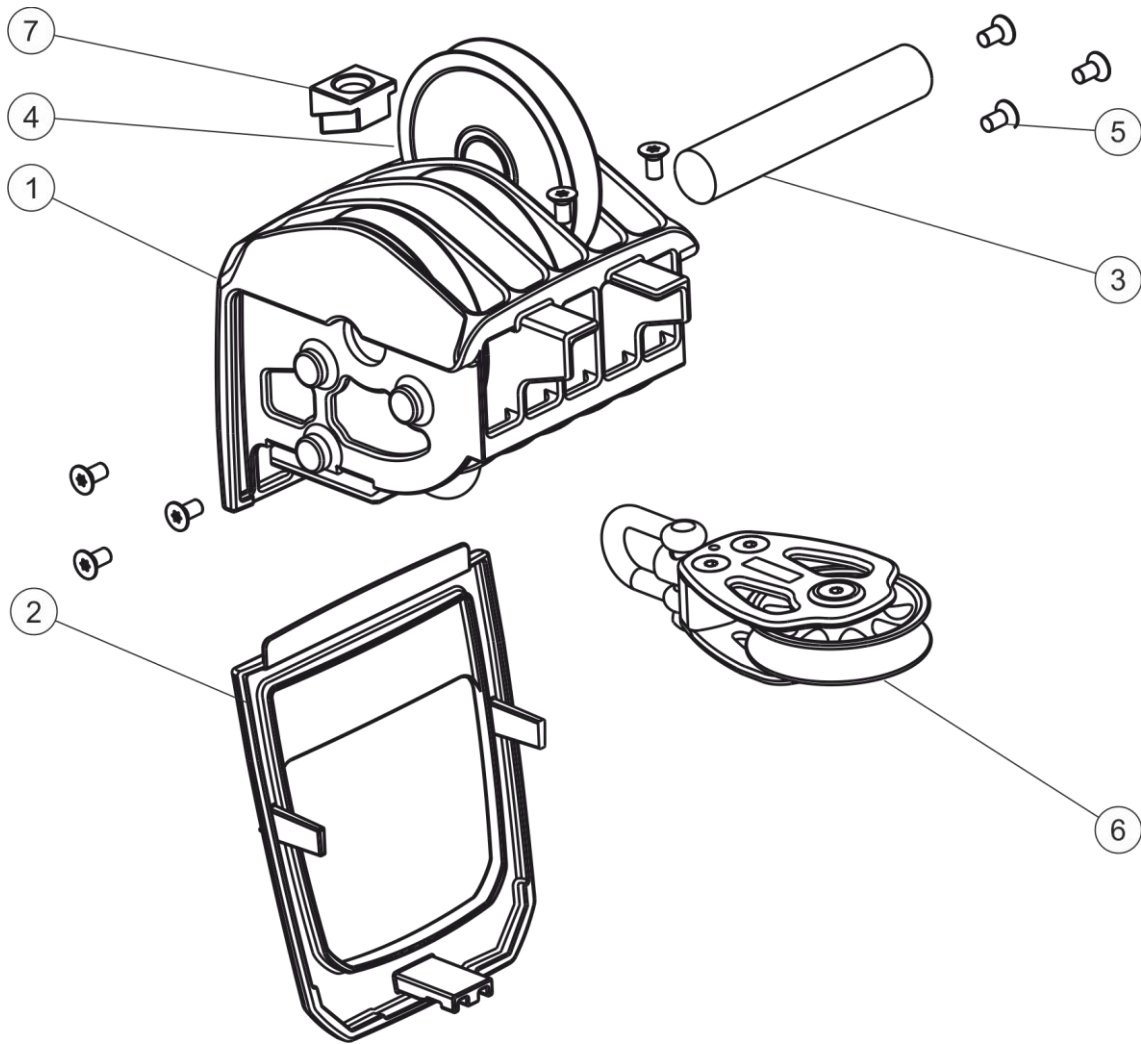
## 2 Hydraulic boom B380

### 2.1 Inboard End B380



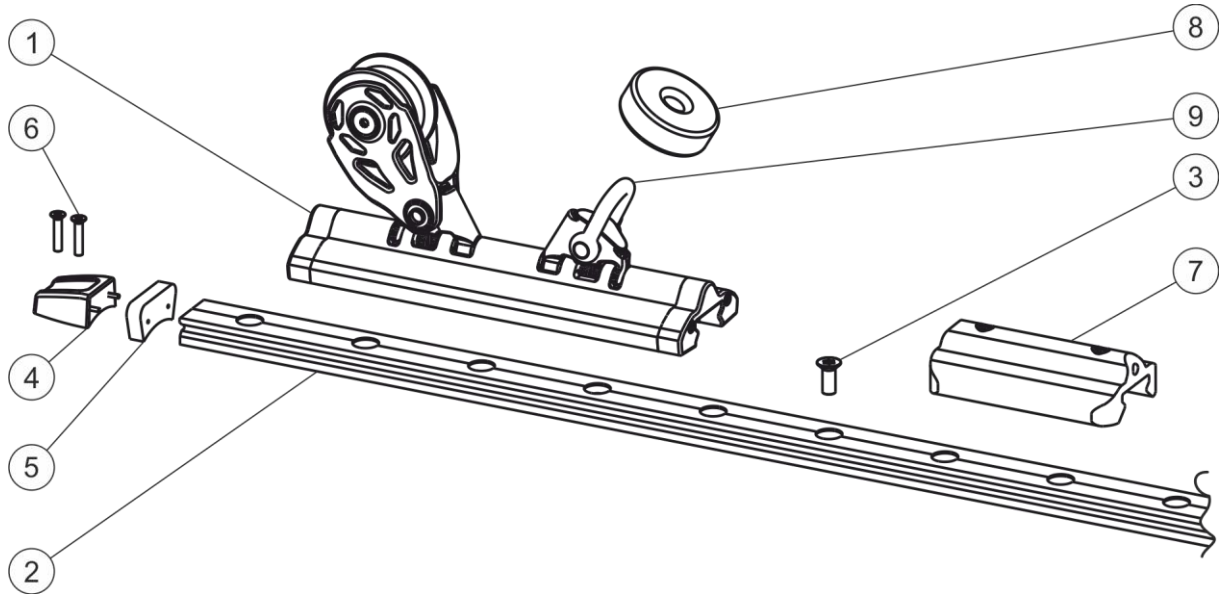
Item	Description	Dimension	Qty	Part No.
1	Inboard end	330x190x295	1	509-060
2	Screw	M24x90	1	151-104
3	Castle nut	M24	1	156-109
4	Split pin	Ø5x50	1	301-036
5	Shaft	Ø30x168	1	166-302
6	Sheave	Ø130/30-22	1	504-403-01
7	Shaft	Ø40x109	1	166-546
8	Retaining ring	DNS-40	2	301-544
9	Sheave	Ø100/40-24	1	504-064-01
10	Screw	A4-MFT 10x20	4	162-099
11	Screw	A4-MFT 8x16	10	162-033

## 2.2 Outboard End B380



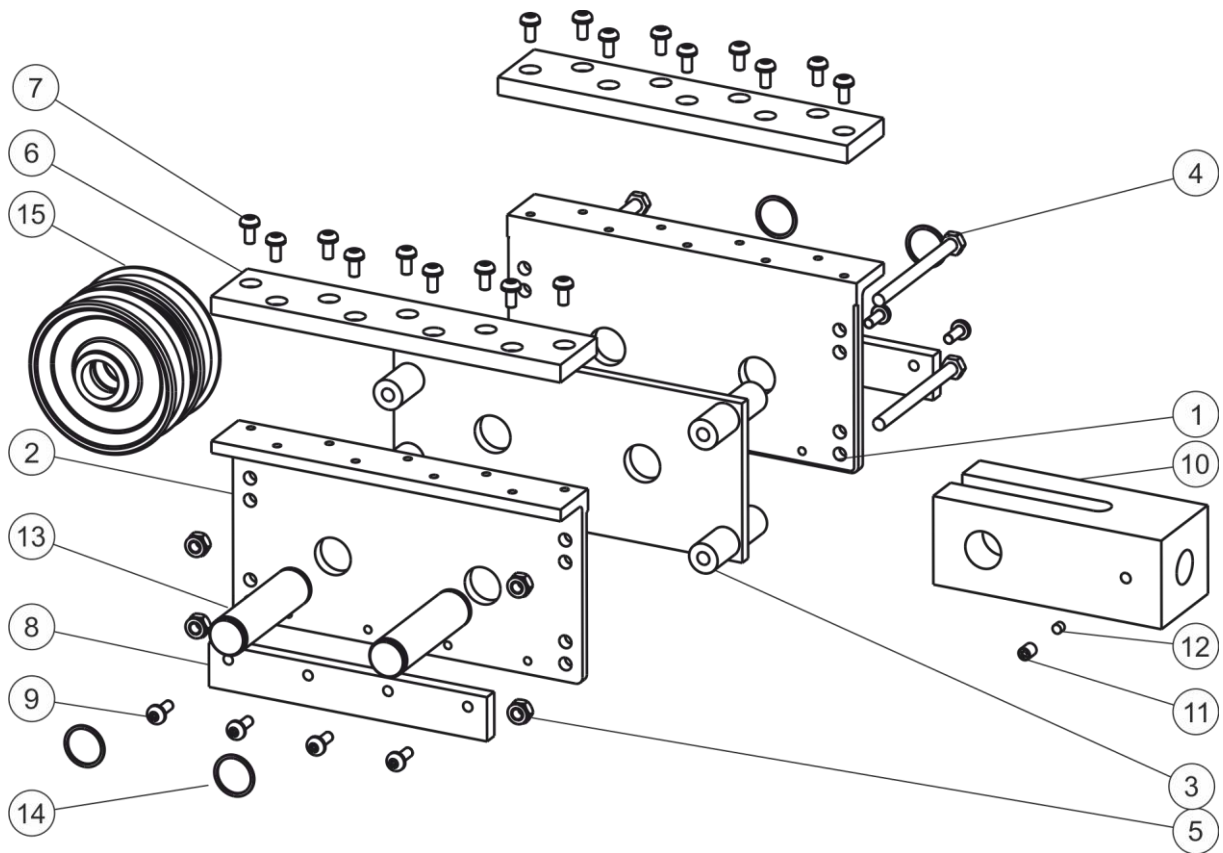
Item	Description	Dimension	Qty	Part No.
1	Outboard end	220x190x194	1	500-056
2	Cover	220x190	1	500-054
3	Shaft	Ø30x168	1	166-302
4	Sheave	Ø130/30-22	1	504-403-01
5	Screw	A4-MFT 8x16	8	162-033
6	Block	PBB 100	1	410-001-01
7	Line stop	35x30x30	1	550-257

## 2.3 Outhaul Assembly B380



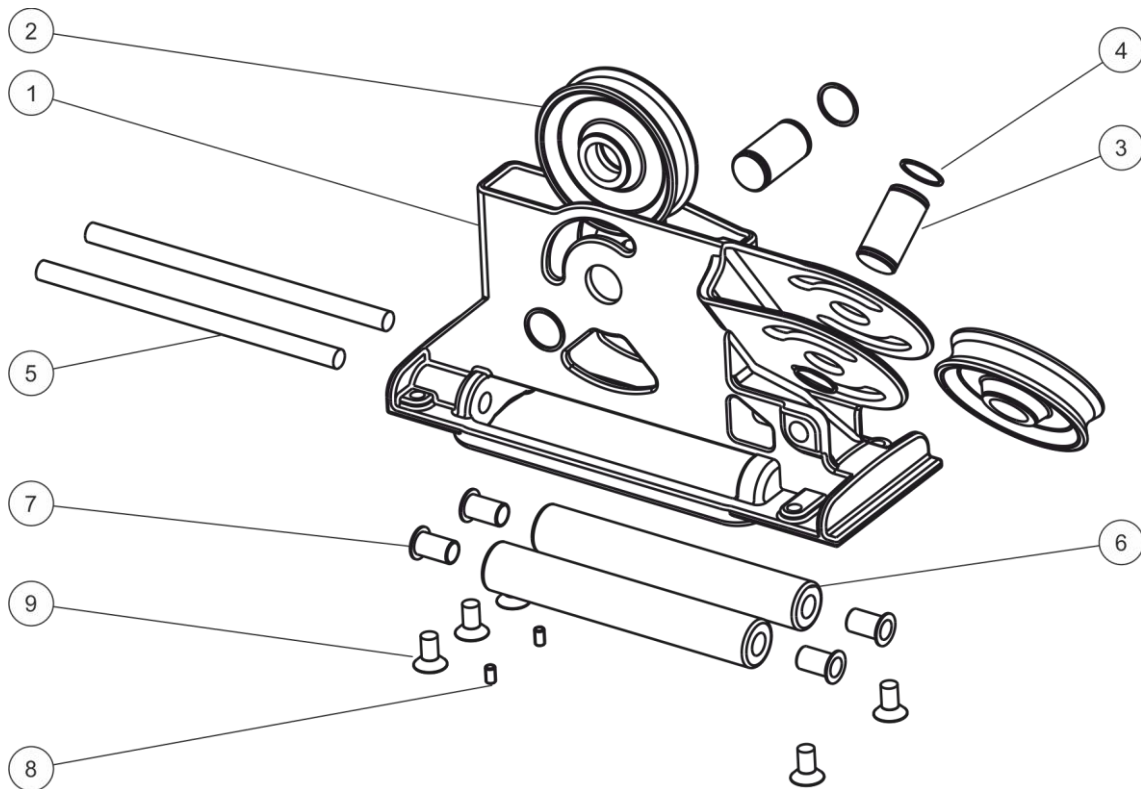
Item	Description	Dimension	Qty	Part No.
1	OUTHAUL CAR, SYSTEM 42	358x45x95	1	511-654-01
2	Track	L=3500	3	444-001-501
3	Screw MFT	M10x30	80	162-098
4	End stop	60x48	2	520-504-03
5	Buffer	60x30x12	2	520-516
6	Screw MFT	M6x30	4	162-044
7	Outhaul stop	L=160	1	511-662-01
8	Doughnut buffer	ø75/18-25	1	319-924
9	Shackle	ø12x24x41	1	307-004
10	Ball	3/8"	136	319-589

## 2.4 Running Block Outhaul B380



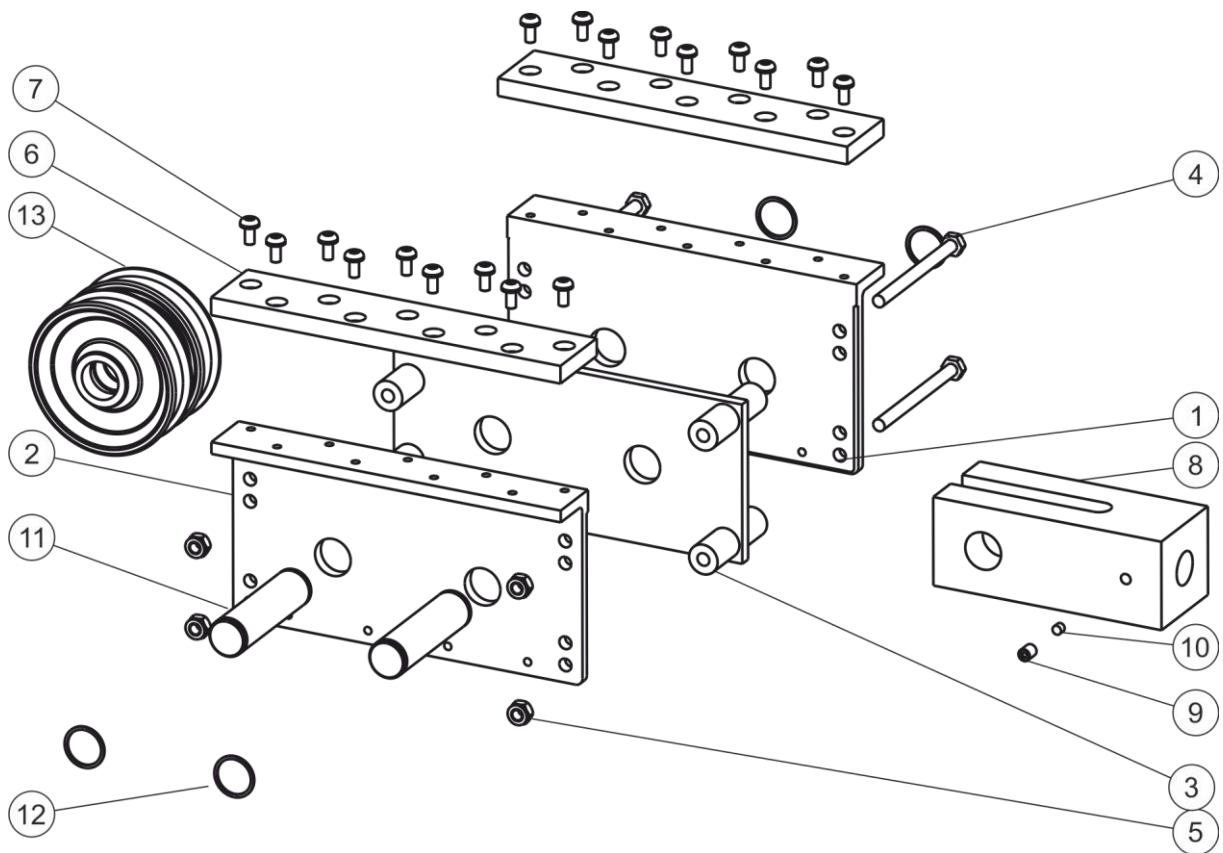
Item	Description	Dimension	Qty	Part No.
1	Side plate	245x130x38	2	550-276
2	Centre plate	245x108x8	1	550-280
3	Spacer	∅20/8.4-30	8	306-730
4	Screw M6S	M8x100	4	151-050
5	Nut nyloc	M8	4	158-006
6	Guide upper	225x50x12	2	550-277
7	Screw MRT	M6x12	18	155-613
8	Guide lower	195x30x10	2	550-278
9	Screw MRT	M6x16	8	155-610
10	Fork	160x64x60	1	550-281
11	Grub screw MSK6SS	M8x10	1	153-110
12	Insert	∅6x5	1	550-211
13	Pin	∅25x93	2	166-544
14	Spirolox	WST-98-S02 (pin 25)	2	301-526
15	Sheave	∅100/25-29	2	504-062-01

## 2.5 Main sheet exit block B380



Item	Description	Dimension	Qty	Part No.
1	Main sheet exit box	L=320	1	505-111
2	Sheave	Ø100/25-29	2	504-062-01
3	Shaft	Ø25x48	2	166-359
4	Retaining ring	WST-98	4	301-526
5	Shaft	Ø12x214	2	166-547
6	Roller	Ø30/14-189	2	166-548
7	Bearing	GFM-1214-24	4	306-384
8	Grub screw	A4-MSK6SS 6X10	2	153-109
9	Screw	A4-MF6S 10x20	5	162-091

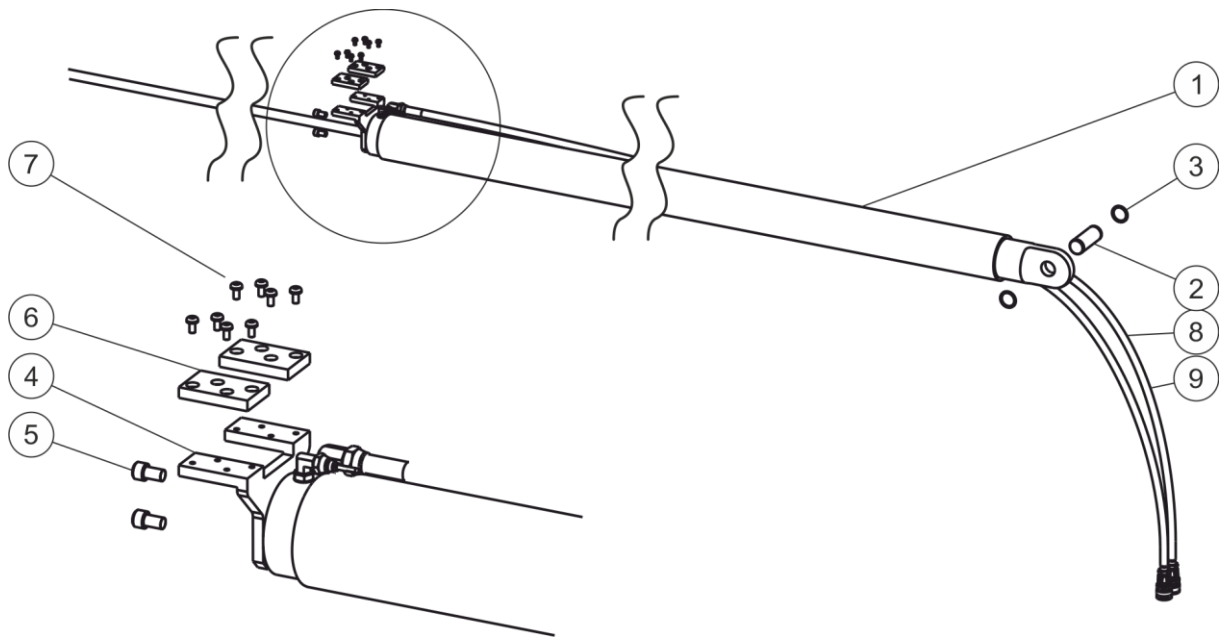
## 2.6 Sheet running block B380



Item	Description	Dimension	Qty	Part No.
1	Side plate	245x130x38	2	550-276
2	Centre plate	245x108x8	1	550-280
3	Spacer	∅20/8.4-30	8	306-730
4	Screw M6S	M8x100	4	151-050
5	Nut nyloc	M8	4	158-006
6	Guide upper	225x50x12	2	550-277
7	Screw MRT	M6x12	18	155-613
8	Fork	160x64x60	1	550-281
9	Grub screw MSK6SS	M8x10	1	153-110
10	Insert	∅6x5	1	550-211
11	Pin	∅25x93	2	166-544
12	Spirolox	WST-98-S02 (pin 25)	2	301-526
13	Sheave	∅100/25-29	2	504-062-01

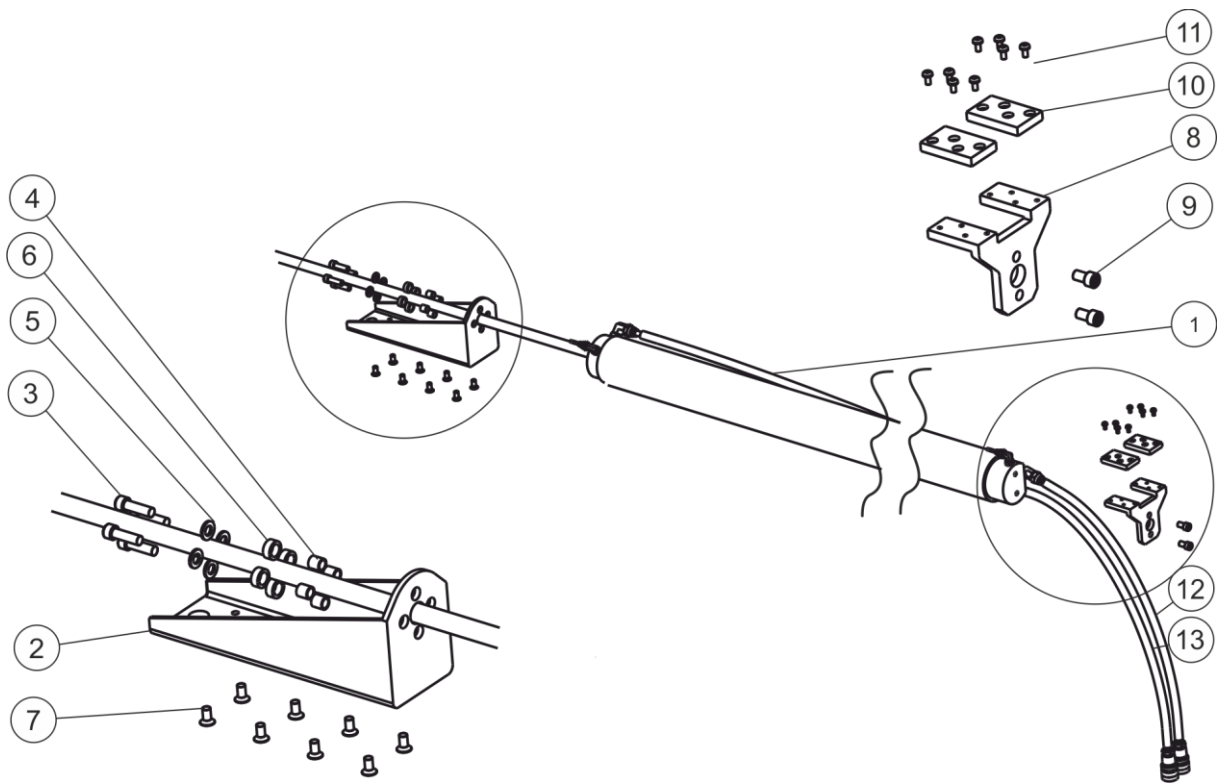


## 2.7 Outhaul cylinder B380



Item	Description	Dimension	Qty	Part No.
1	Hydraulic cylinder	ø120/100-3053	1	550-157
1	Hydraulic cylinder	ø120/100-3453	1	550-158
2	Pin	ø40x109	1	166-546
3	Retainer ring	DNS-40-S16	2	301-544
4	Cylinder mount	143x120x80	1	550-282
5	Screw MC6S 12x20	M12x20	2	153-020
6	GUIDE UPPER	80x50x12	2	550-283
7	Screw MRT	M6x12	8	155-613
8	Hose 1/2"	1/2", L=970	1	540-981-01
9	Hose	1/2", L=3710	1	540-981-03
14	Sealing kit	-	-	550-338

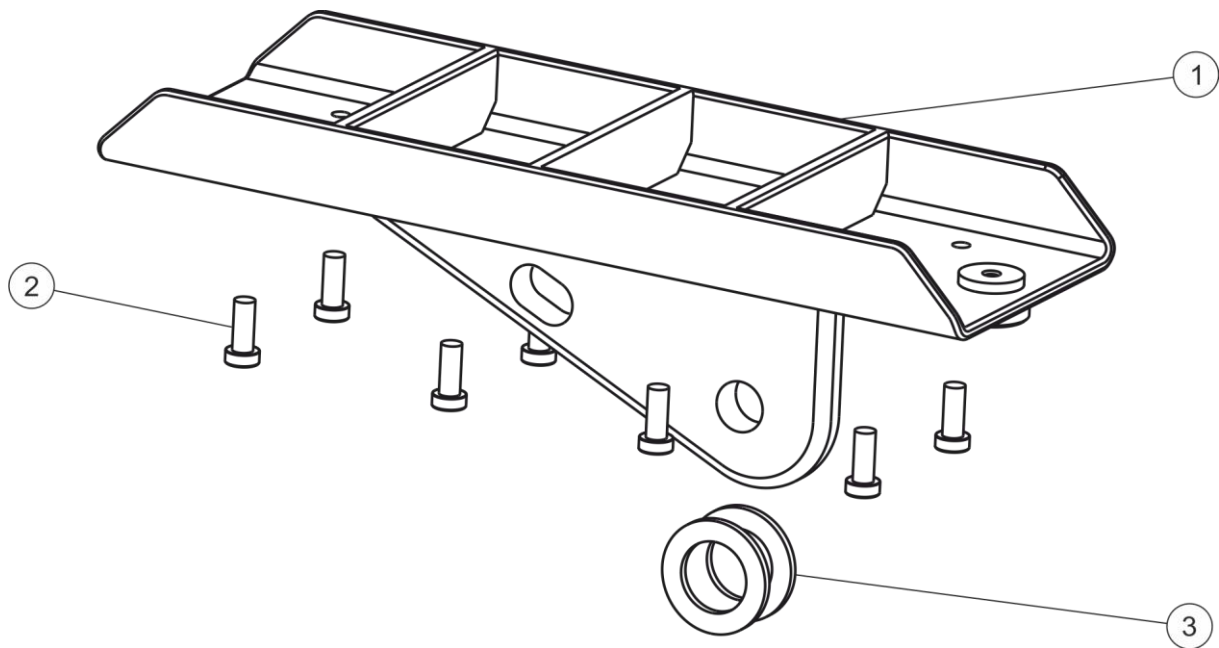
## 2.8 Sheet cylinder B380



Item	Description	Dimension	Qty	Part No.
1	Hydraulic cylinder	ø112/100-3318	1	550-156
2	Sheet cylinder bracket	383x167x120	1	550-275
3	Screw MC6S	M12x40	4	153-083
4	Bush	ø16/12,5-16	4	306-567
5	Washer	ø24/13-2.5	4	164-404
6	Washer	ø24/16-10	4	550-284
7	Screw MFT	M10x20	8	162-099
8	Cylinder mount	143x120x80	1	550-282
9	Screw	M12x20 ST	2	153-020
10	Guide upper	80x50x12	2	550-283
11	Screw MRT	M6x12	8	155-613
12	Hose	1/2", L=840	1	540-981-02
13	Hose	1/2", L=2920	1	540-981-04

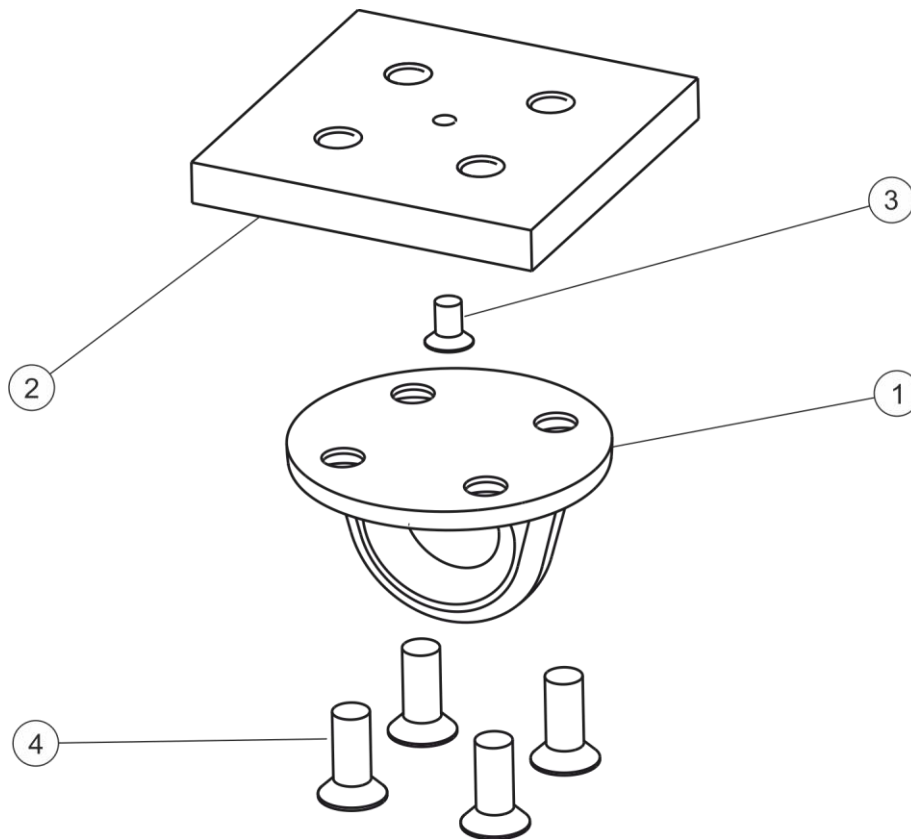
14	Sealing kit	-	-	550-338
----	-------------	---	---	---------

## 2.9 Kicker fitting B380



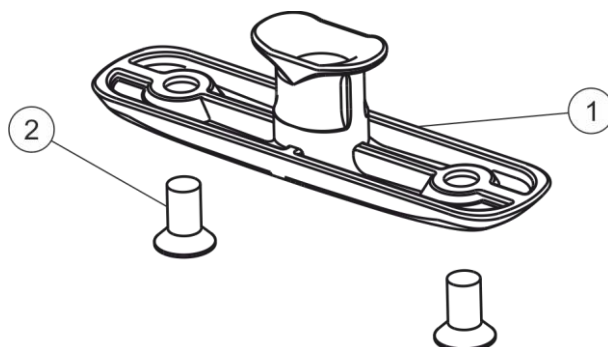
Item	Description	Dimension	Qty	Part No.
1	Kicker fitting	Hole $\varnothing$ 20.5	1	511-653-01
1	Kicker fitting	Hole $\varnothing$ 22.5	1	511-653-03*
1	Kicker fitting	Hole $\varnothing$ 25.5	1	511-653-02**
2	Screw	MLC6S 8x20	8	153-170
3	Washer*	$\varnothing$ 39/23-3 ST.ST	2	164-422
3	Washer**	$\varnothing$ 40/25-3 PA	2	164-046

## 2.10 Main sheet attachment B380



Item	Description	Dimension	Qty	Part No.
1	Pad eye	Ø86	1	508-818
2	Backing plate	100x100x12	1	508-943-01
3	Screw	MFT 6x16	1	162-025
4	Screw	MFT 10x25	4	162-106

## 2.11 Preventer exit B380



Item	Description	Dimension	Qty	Part No.
1	Preventer fairlead	125x44	1	505-102
2	Screw	MFT10x20	2	162-099

# DINGHIES KEELBOATS YACHTS

**Seldén Mast AB, Sweden**  
Tel +46 (0)31 69 69 00  
Fax +46 (0)31 29 71 37  
e-mail [info@seldenmast.com](mailto:info@seldenmast.com)

**Seldén Mast Limited, UK**  
Tel +44 (0) 1329 504000  
Fax +44 (0) 1329 504049  
e-mail [info@seldenmast.co.uk](mailto:info@seldenmast.co.uk)

**Seldén Mast Inc., USA**  
Tel +1 843-760-6278  
Fax +1 843-760-1220  
e-mail [info@seldenus.com](mailto:info@seldenus.com)

**Seldén Mast A/S, DK**  
Tel +45 39 18 44 00  
Fax +45 39 27 17 00  
e-mail [info@seldenmast.dk](mailto:info@seldenmast.dk)

**Seldén Mid Europe B.V., NL**  
Tel +31 (0) 111-698 120  
Fax +31 (0) 111-698 130  
e-mail [info@seldenmast.nl](mailto:info@seldenmast.nl)

**Seldén Mast SAS, FR**  
Tel +33 (0) 251 362 110  
Fax +33 (0) 251 362 185  
e-mail [info@seldenmast.fr](mailto:info@seldenmast.fr)

[www.seldenmast.com](http://www.seldenmast.com)

Dealer:

The Seldén Group is the world's leading manufacturer of masts and rigging systems in carbon and aluminium for dinghies, keelboats and yachts. The Group consists of Seldén Mast AB in Sweden, Seldén Mast A/S in Denmark, Seldén Mast Ltd in the UK, Seldén Mid Europe B.V. in the Netherlands, Seldén Mast SAS in France and Seldén Mast Inc in the USA. Our well known brands are Seldén and Furlex. The worldwide success of Furlex has enabled us to build a network of over 750 authorised dealers covering the world's marine markets. So wherever you sail, you can be sure of fast access to our service, spare parts and know-how.

 **SELDÉN**