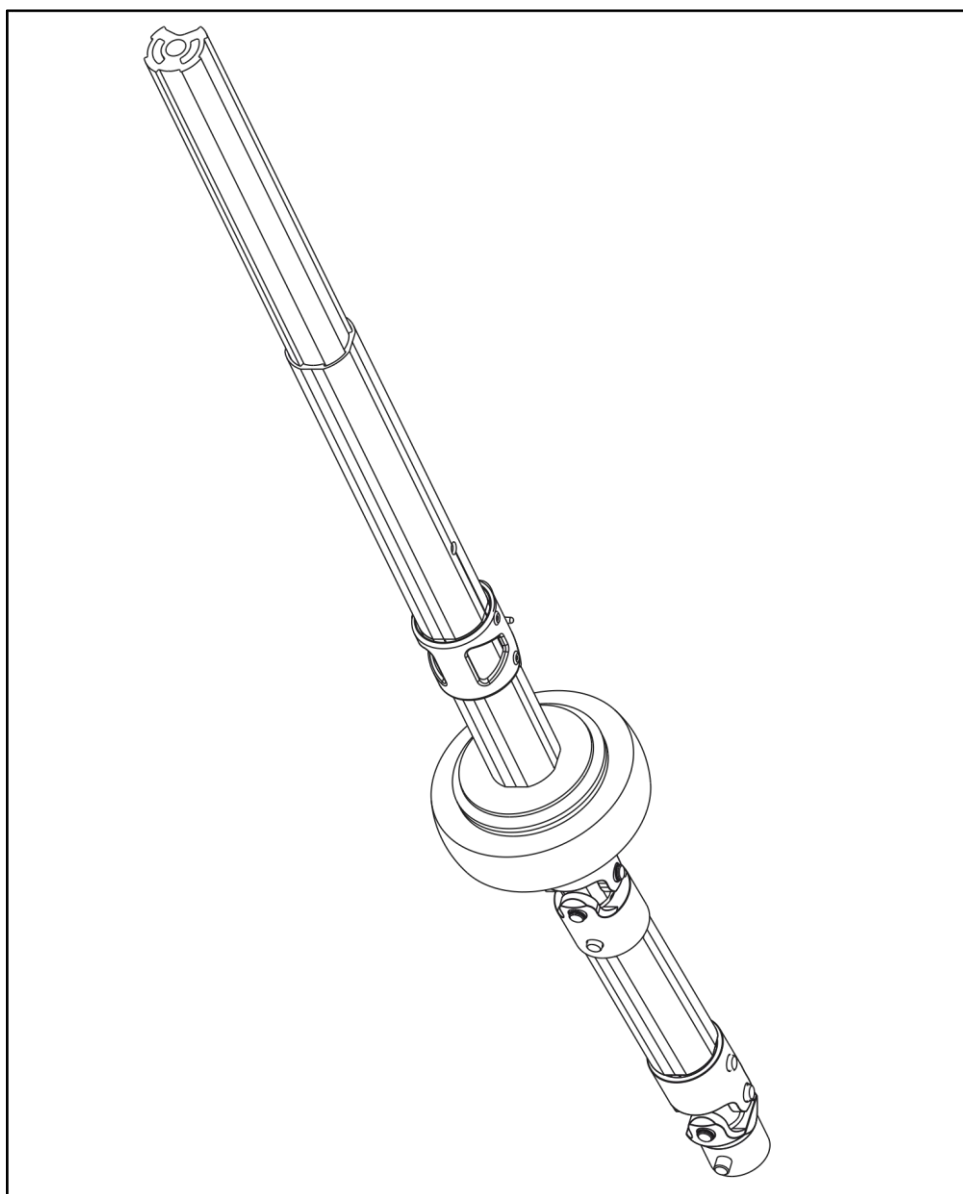


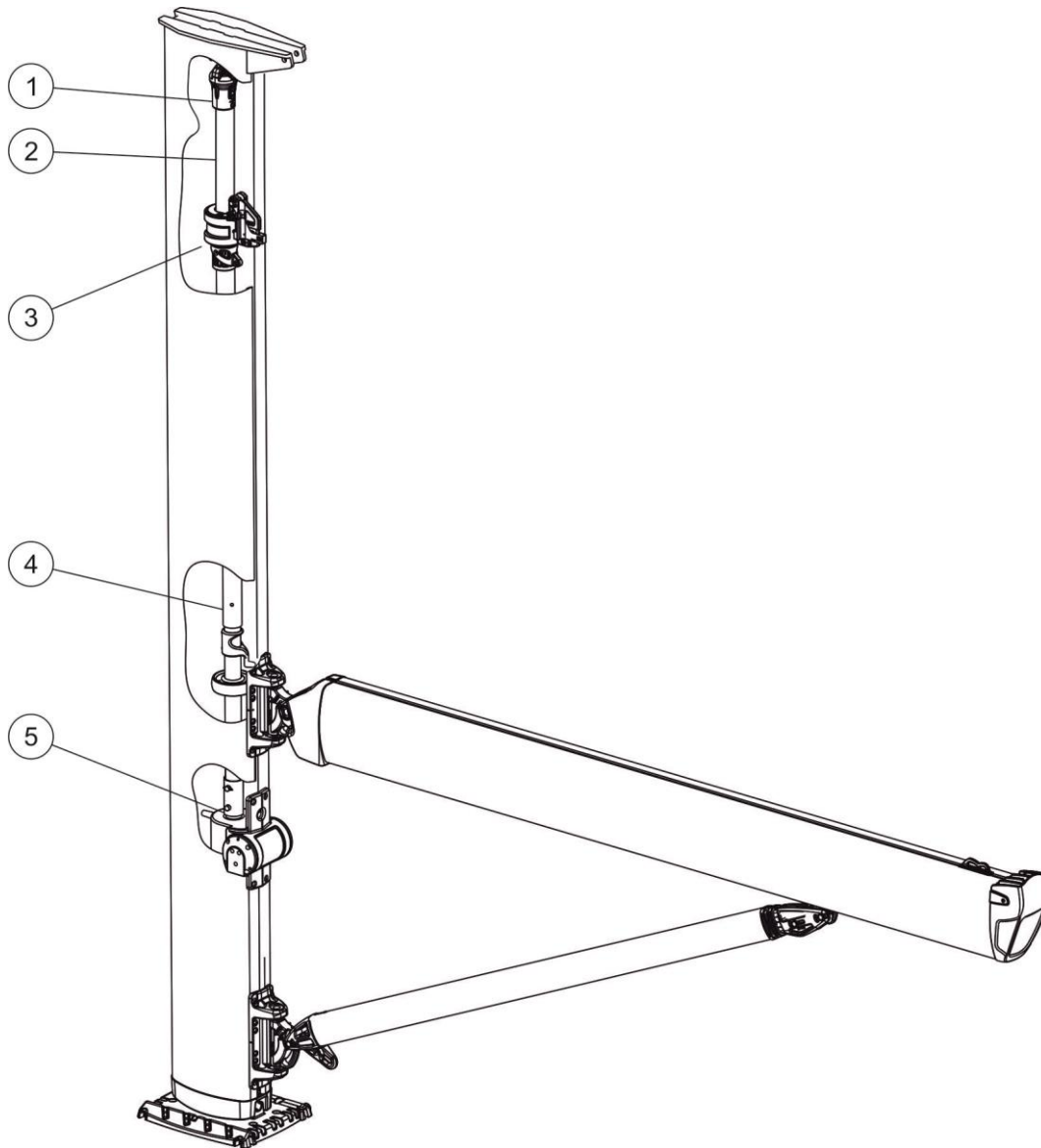
Spare Part list **Hydraulic In-mast furling RC, RD and RD+**



Contents

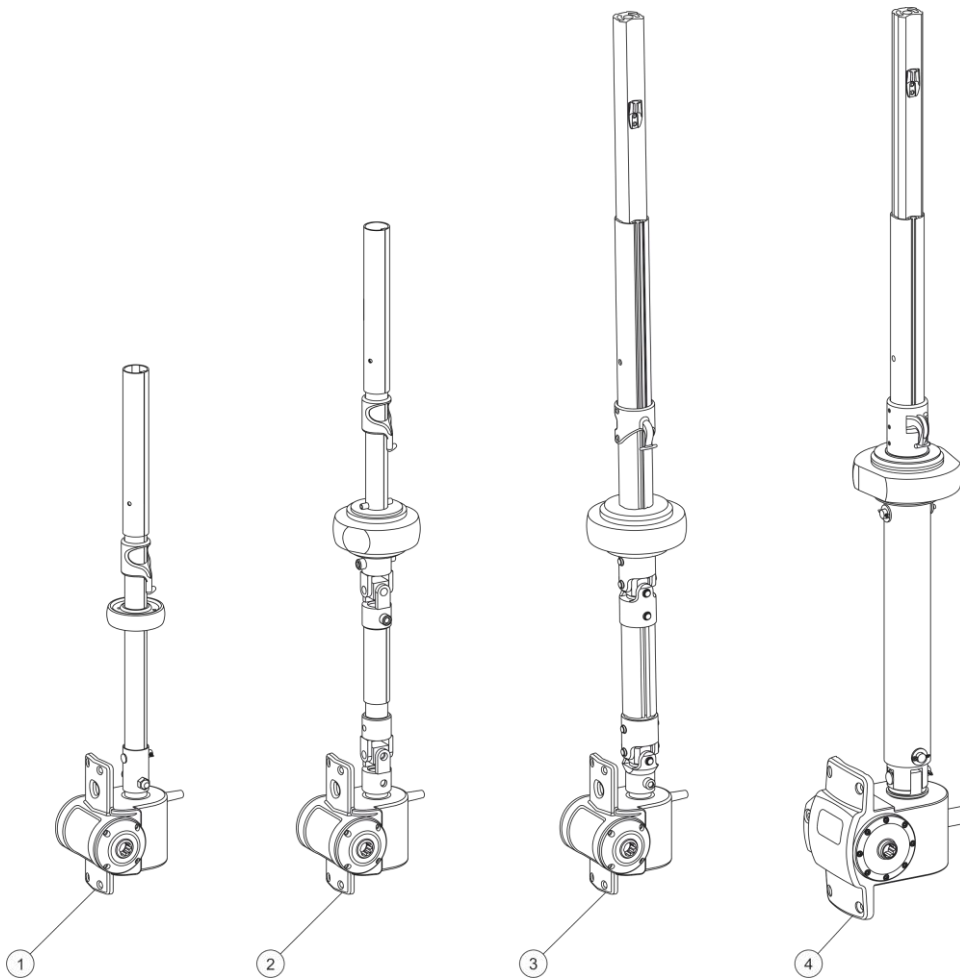
1	In-mast furling mast	3
2	In-Mast furling types.....	4
2.1	In-Mast furling sizes	4
3	Top Swivel	5
3.1	Top Swivel RC, 540-204-01.....	5
3.2	Top Swivel RD and RD+, 540-304-01.....	6
4	Luff Extrusion	7
4.1	Luff extrusion RC	7
4.2	Luff extrusion RD and RD+	8
5	Halyard swivel	9
5.1	Halyard Swivel RC, 540-253-01.....	9
5.2	Halyard swivel RD and RD+, 540-348-01	10
6	Tack Assembly	11
6.1	Tack Assembly RC, 540-230-02 (F265, F286, F305)	11
6.2	Tack Assembly 540-202-01 (F324)	12
6.3	Cardan Shaft Assembly RC (F324).....	14
6.4	Tack Assembly RD (F324, F370, F406).....	15
6.5	Cardan Shaft Assembly RD (F324, F370, F406).....	17
6.6	Tack Assembly RD+, 540-331-11 (F406).....	18
7	Drive unit.....	20
7.1	Drive unit RC (F265, F285, F305).....	20
7.2	Drive unit RC (F324).....	21
7.3	Drive unit RD (F324, F370, F406)	22
7.4	Drive Unit RD+ (F406).....	23
8	Accessories	24

1 In-mast furling mast



Item	Description
1	Top Swivel
2	Luff Extrusion
3	Halyard swivel
4	Tack Assembly or Tack assembly and Cardan Shaft Assembly
5	Drive Unit

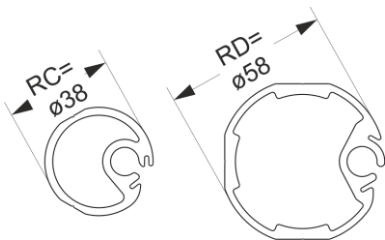
2 In-Mast furling types



Item	Description	Mast section
1	RC	F265, F286, F305
2	RC with cardan shaft	F324
3	RD	F324, F370, F406
4	RD+	F406

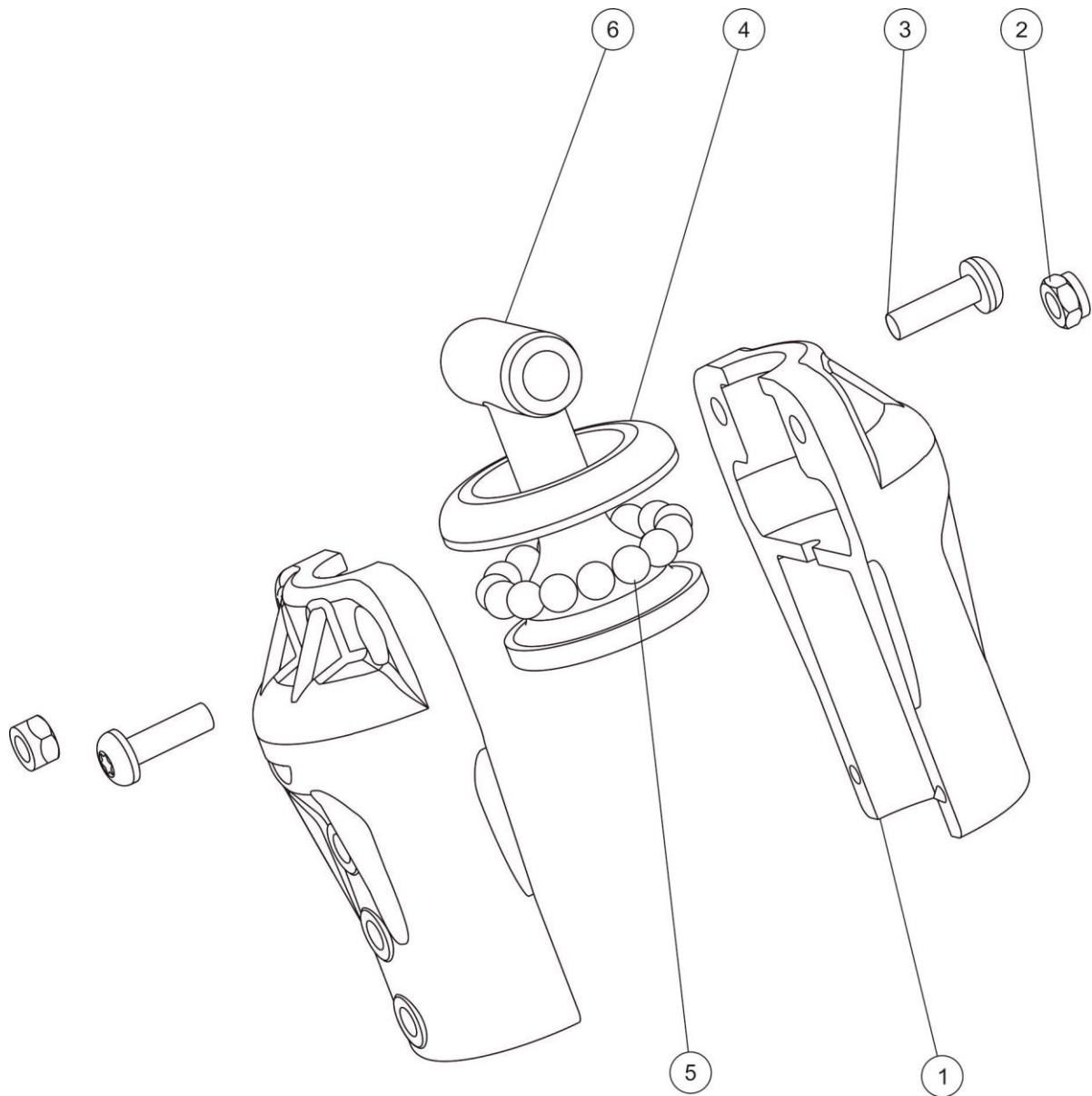
2.1 In-Mast furling sizes

The in-mast sizes are easiest identified by the diameter of the luff extrusion.



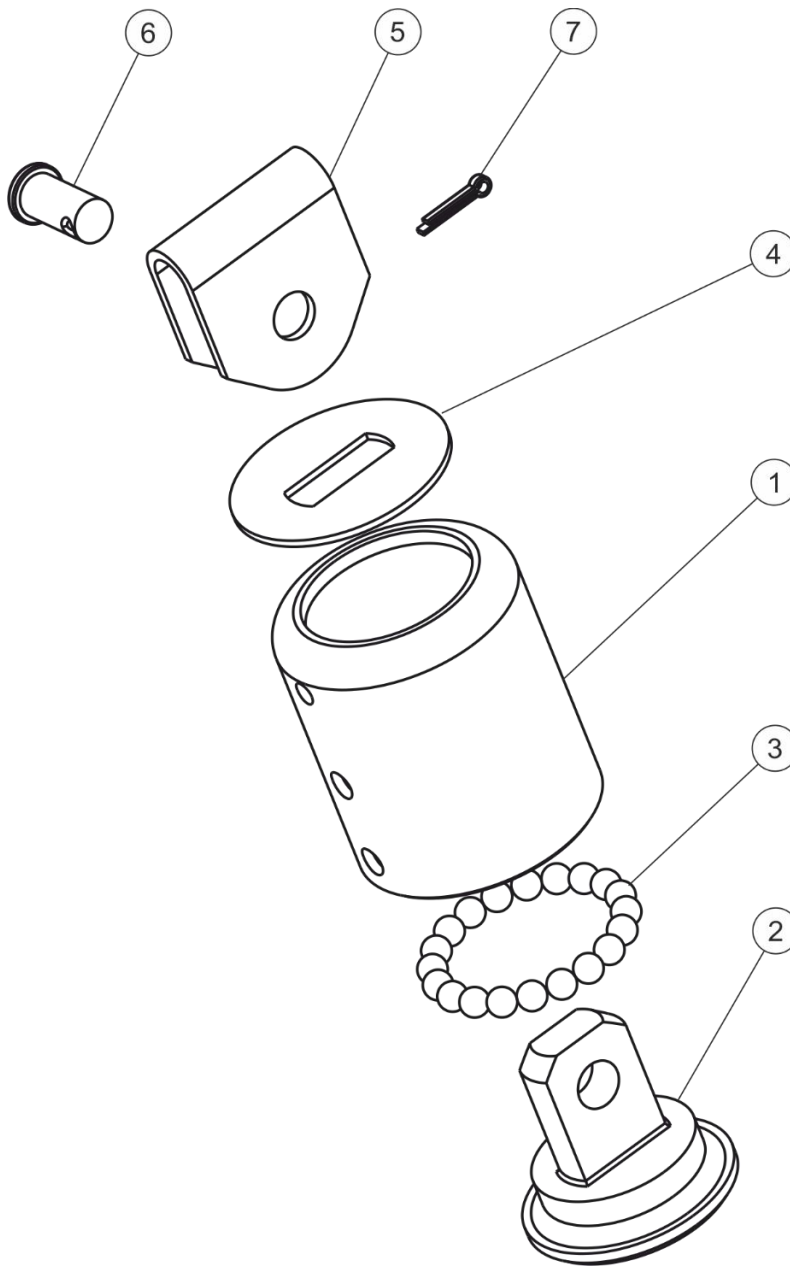
3 Top Swivel

3.1 Top Swivel RC, 540-204-01



Item	Description	Dimension	Qty	Part No.
1	Ball bearing house half 1)	ø66X105	2	540-204
2	Nylock nut	M6	2	158-005
3	Screw MRT	M6x20	2	155-621
4	Ball bearing ring	ø52x8	1	539-111
5	Ball	ø8	15	539-128
6	Ball bearing eye	ø44x69	1	540-207
1)	Only as an assembly 1-6		1	540-204-01

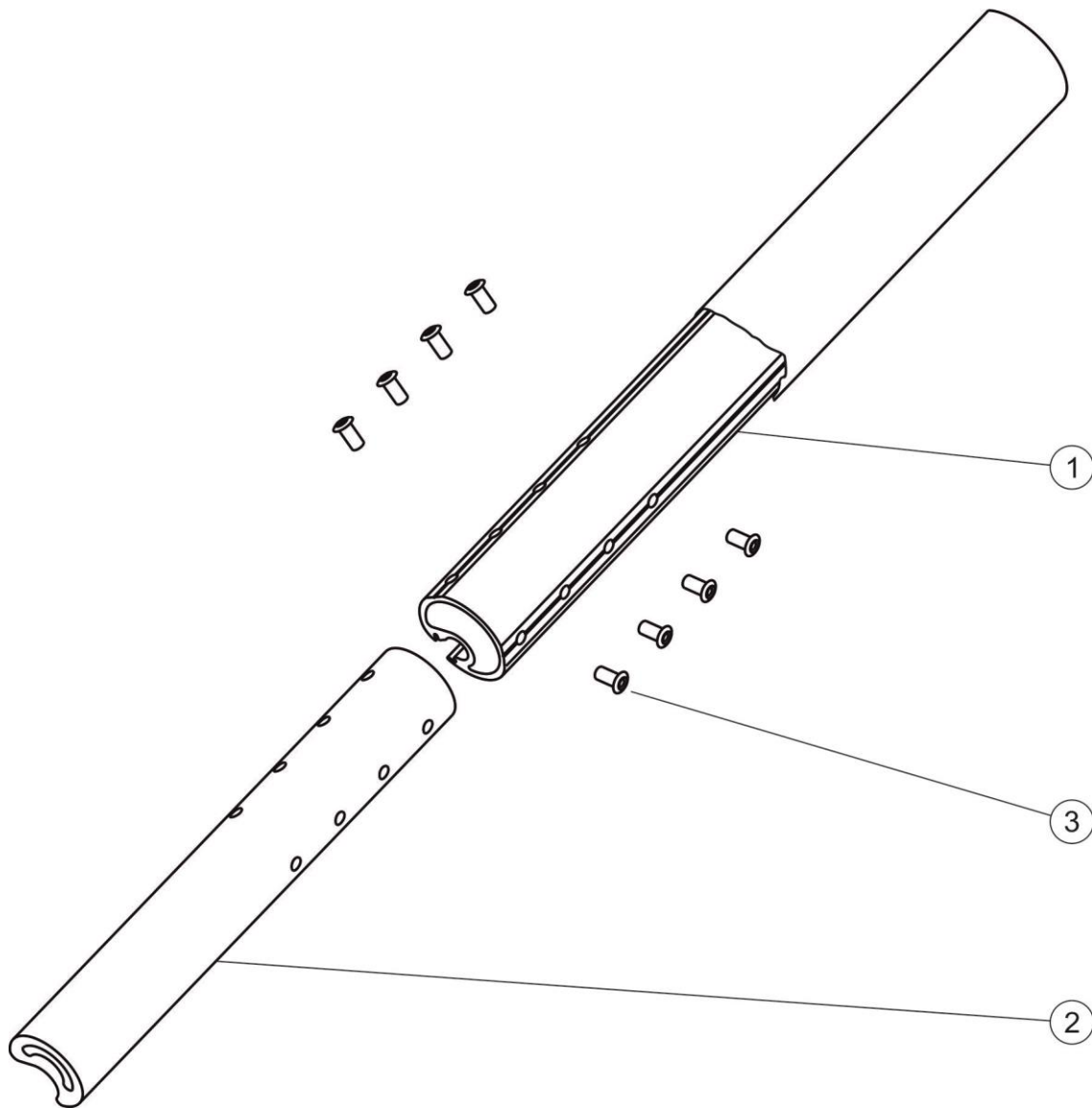
3.2 Top Swivel RD and RD+, 540-304-01



Item	Description	Dimension	Qty	Part No.
1	Housing 1)	Ø66x76	1	540-304
2	Shaft 1)	Ø57x55	1	540-305
3	Ball	Ø8	20	539-128
4	Washer	Ø60x2	1	540-306
5	Toggle	55x49	1	540-303
6	Clevis pin	Ø12x25	1	165-401
7	Split pin	Ø2.9x16	1	301-049
1)	Only as an assembly 1-7		1	540-304-01

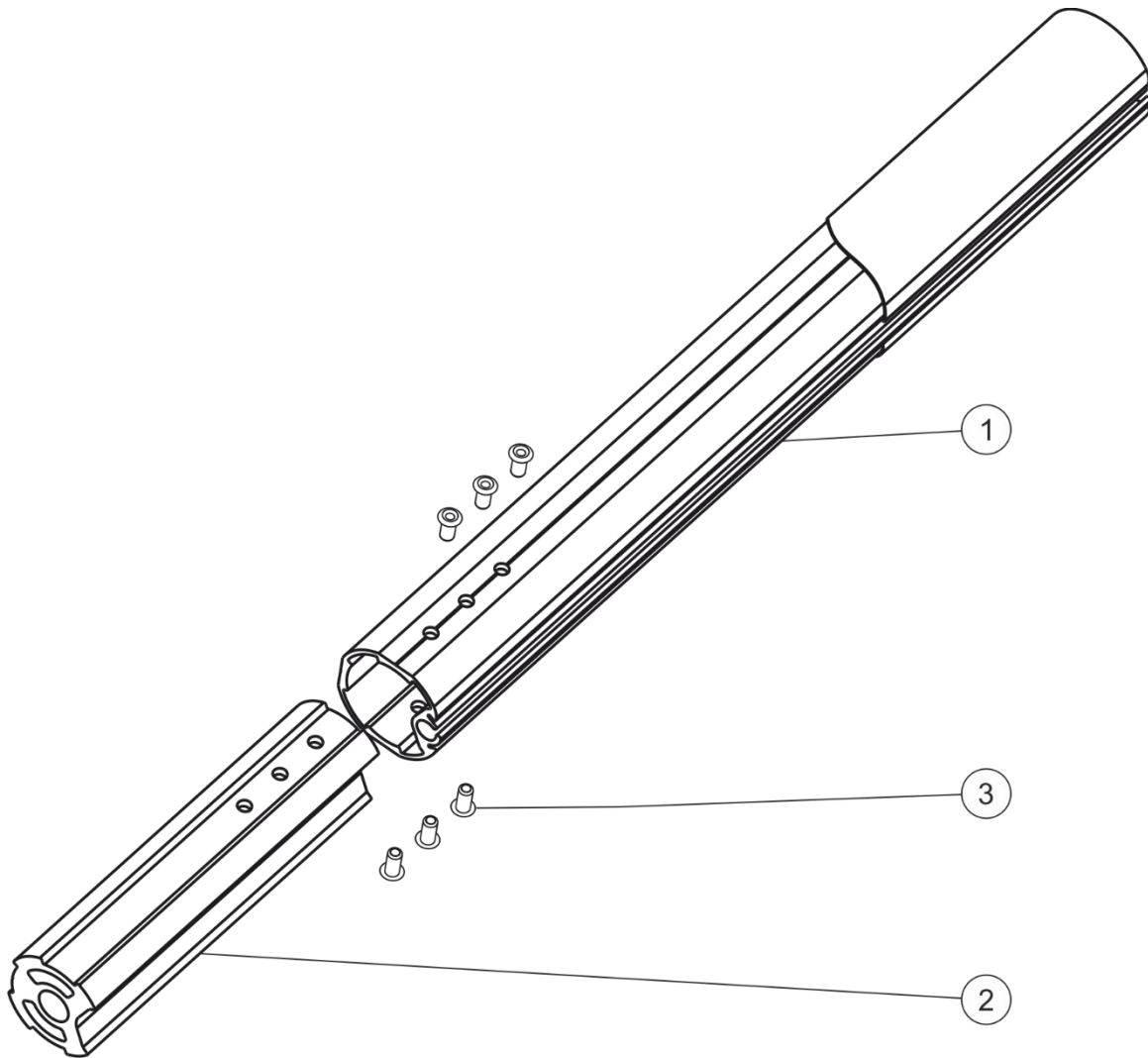
4 Luff Extrusion

4.1 Luff extrusion RC



Item	Description	Dimension	Qty	Part No.
1	Luff extrusion (incl. cover)	Ø 38/38-7700	1	540-217-01
2	Joining sleeve	Ø 33/25-212	1	540-215
3	Pop rivet	ø4.8x9.9	12	167-007
4	Pop rivet plug	For Ø4.8 rivet	12	319-511

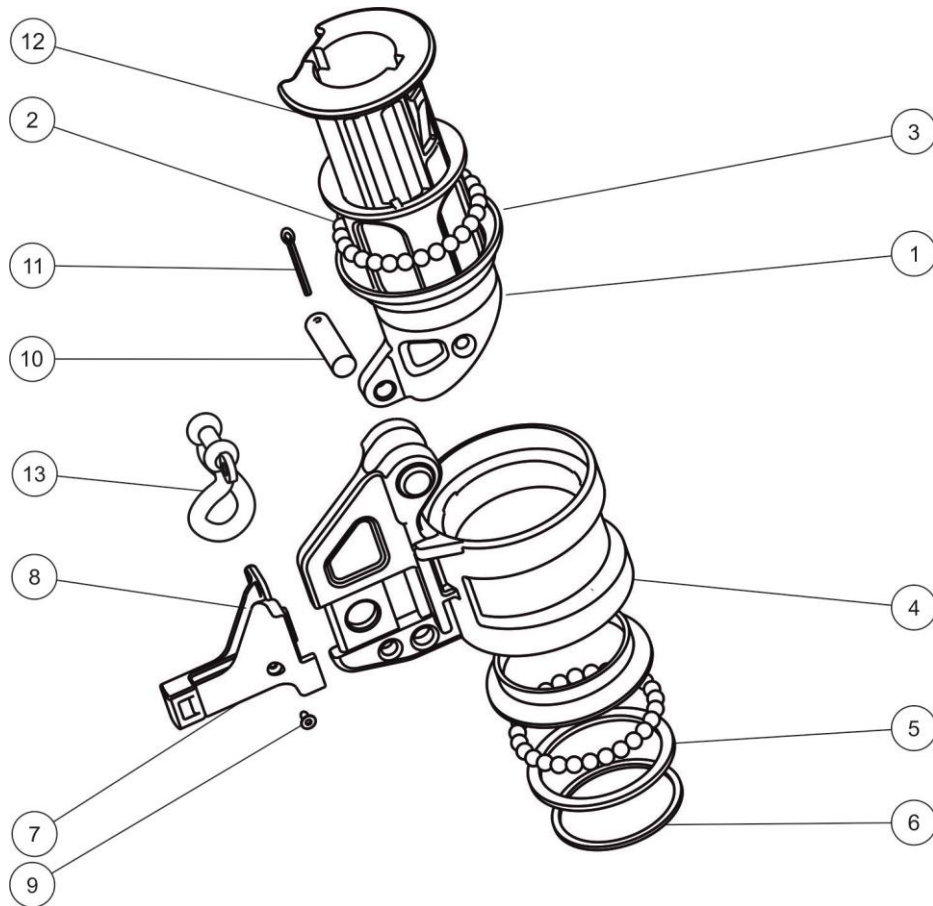
4.2 Luff extrusion RD and RD+



Item	Description	Dimension	Qty	Part No.
1	Luff extrusion (incl. cover)	Ø58(60)x7500	1	540-317-01
2	Joining sleeve	Ø53x200	1	540-315
3	Pop rivet	Ø6.4x12.7	12	167-004
4	Pop rivet plug	For Ø6.4 rivet	12	319-511

5 Halyard swivel

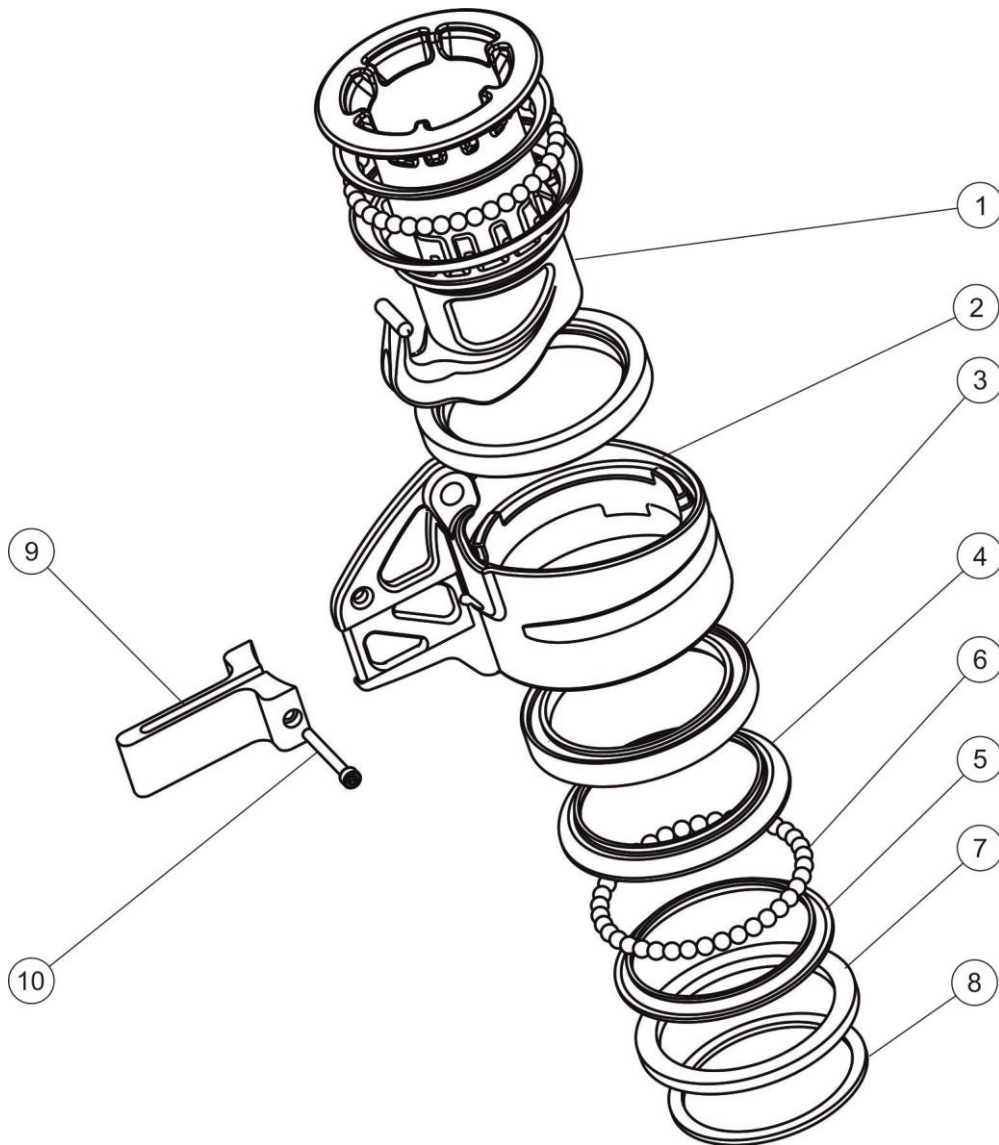
5.1 Halyard Swivel RC, 540-253-01



Item	Description	Dimension	Qty	Part No.
1	Hub halyard swivel 1)	ø62-130	1	539-281
2	Ball	ø8	54	539-128
3	Ball bearing ring	ø83/64-16	2	539-270
4	Eye ring RC 1)	ø92x155	1	540-253
5	Washer	ø74/62-3	1	164-440
6	Clip ring	ø62	1	301-507
7	Sliding insert half starboard	52x52	1	540-165
8	Sliding insert half Port	52x66	1	540-166
9	Self tapping screw	FTS 3.5x9.5	1	171-047
10	Pin	ø12x42	1	166-223
11	Split pin	ø2.9x32	1	301-525
12	Sliding sleeve RC 1)	ø80-150	1	540-254
13	Shackle	M8x16x32	1	307-025

1)	Only as an assembly 1-12		1	540-253-01
----	--------------------------	--	---	------------

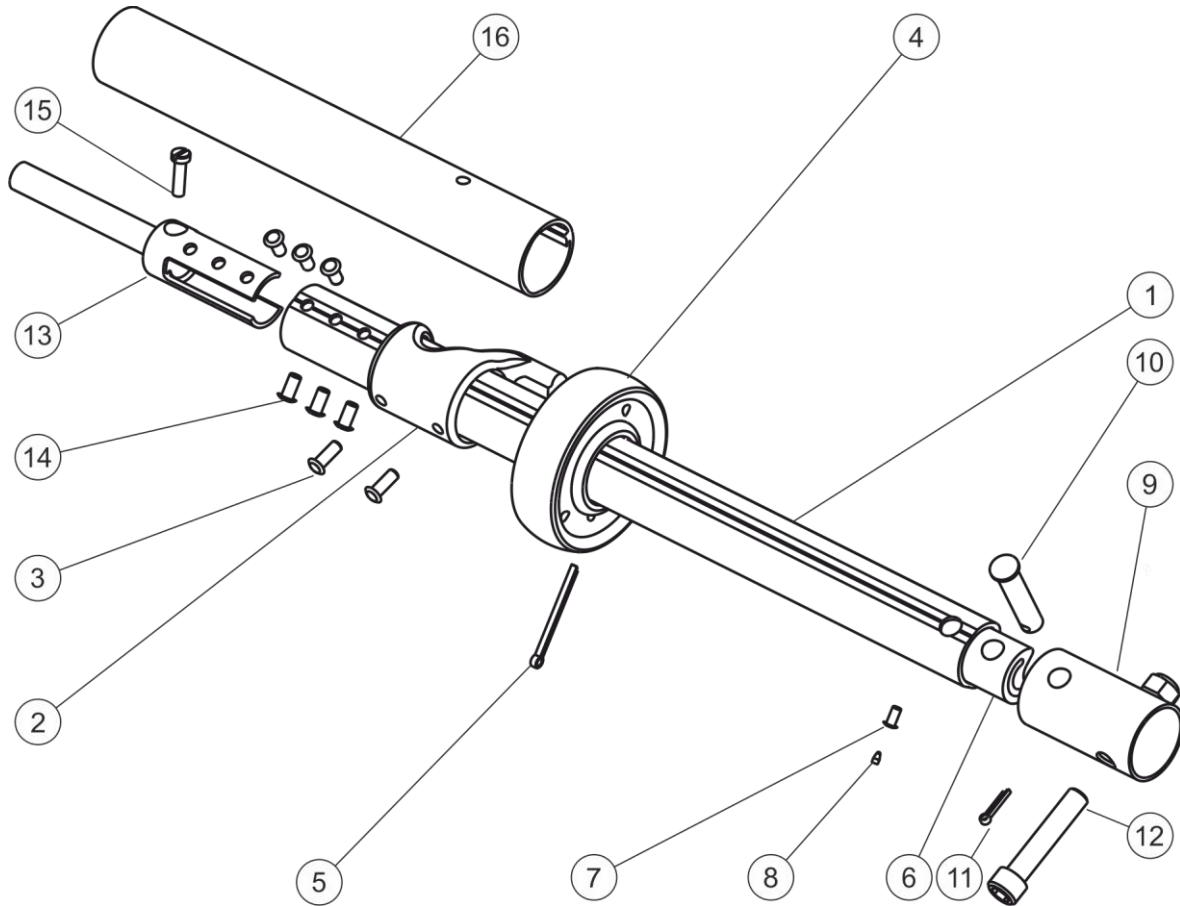
5.2 Halyard swivel RD and RD+, 540-348-01



Item	Description	Dimension	Qty	Part No.
1	Hub 1)	Ø108x162	1	540-348
2	Eye ring 1)	Ø119x120	1	540-347
3	Intermediate ring	Ø110x13	2	539-112
4	Ball bearing ring-outer	Ø110x12	2	539-109
5	Ball bearing ring-inner	Ø104x8	2	539-110
6	Ball	Ø8	2x38	539-128
7	Washer	Ø108x6	1	164-474
8	Retaining ring	DNS-85	1	301-512
9	Sliding insert	82x50x30	1	540-323
10	Screw	MC6S 5x45	1	153-090
1)	Only as an assembly 1-10		1	540-348-01

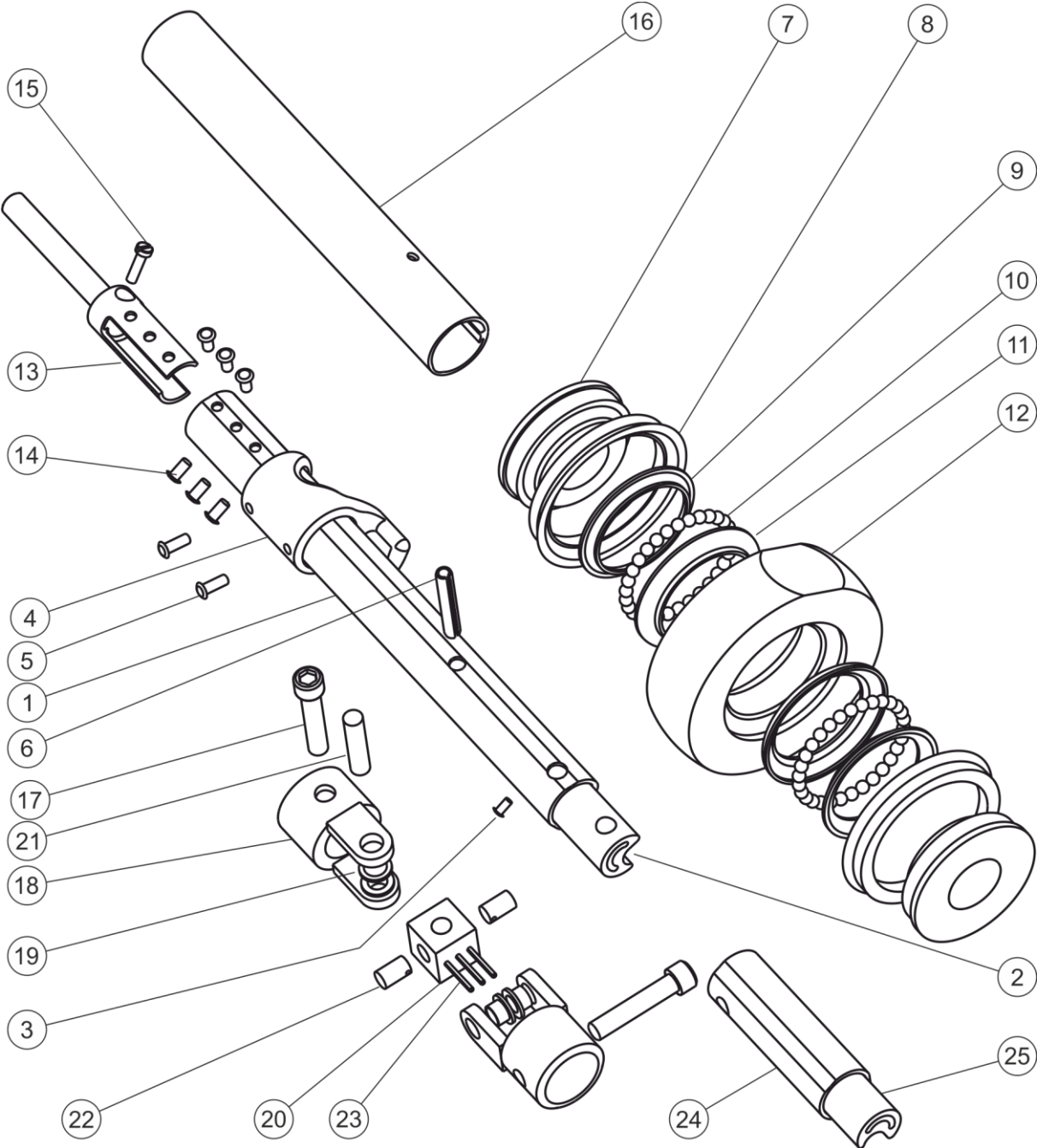
6 Tack Assembly

6.1 Tack Assembly RC, 540-230-02 (F265, F286, F305)



Item	Description	Dimension	Qty	Part No.
1	TACK TUBE	38/38-477	1	540-230
2	TACK HOOK	∅44.5x90	1	536-257
3	POP RIVET	∅6.4x17.8	2	167-002
4	WHEEL	∅ 100/40-30	1	319-601
5	SPLIT PIN	∅3.7x50	1	301-010
6	REINFORCEMENT	32/25-414	1	540-264
7	POP RIVET	∅4.8x10	1	167-007
8	SEALING PLUG	For ∅4.8 rivet	1	319-510
9	ADAPTER	∅44-78	1	540-827
10	CLEVIS PIN	∅12x53	1	165-403
11	SPLIT PIN	∅2.9x16	1	301-049
12	SCREW MC6S	M12x60	1	153-058
13	TENSIONING SCREW	∅32-177	1	540-225
14	POP RIVET	∅6.4x12.7	6	167-004
15	SCREW MCS	M6x22	1	155-034
16	LOCKING TUBE	∅44x300	1	540-227

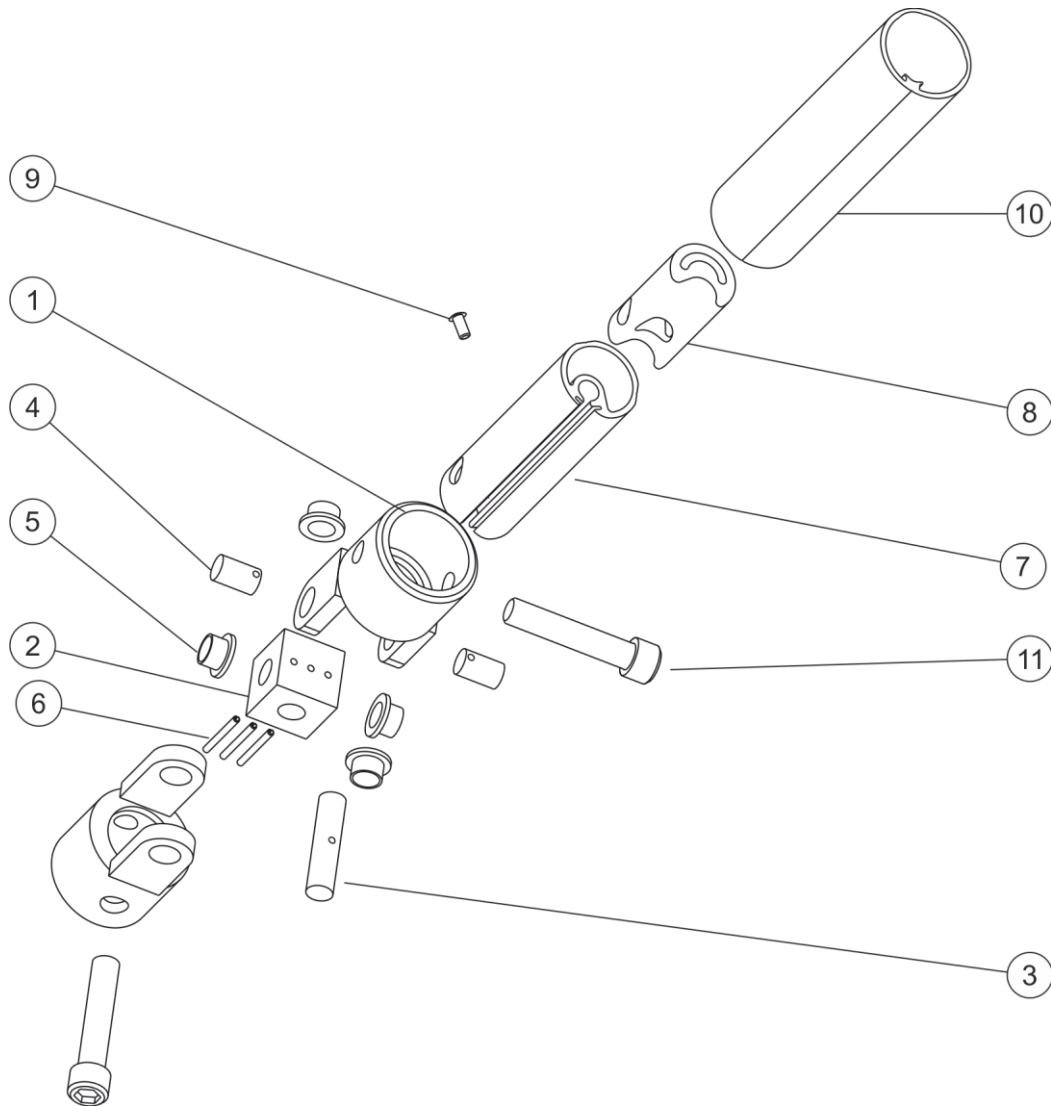
6.2 Tack Assembly 540-202-01 (F324)



Item	Description	Dimension	Qty	Part No.
1	TACK TUBE	L=381	1	540-202
2	JOINT SLEEVE	L=212	1	540-215
3	POP RIVET	ø4.8x10	1	167-007
4	TACK HOOK	ø44.5x90	1	536-257
5	POP RIVET	ø6.4x17.8	2	167-002
6	SPRING PIN	ø10x60	1	166-537
7	RING	ø89/38.5x25	2	540-257
8	V-RING	VS-ø85	2	530-390
9	BALLBEAR RING INNER	ø 84x8	2	539-220

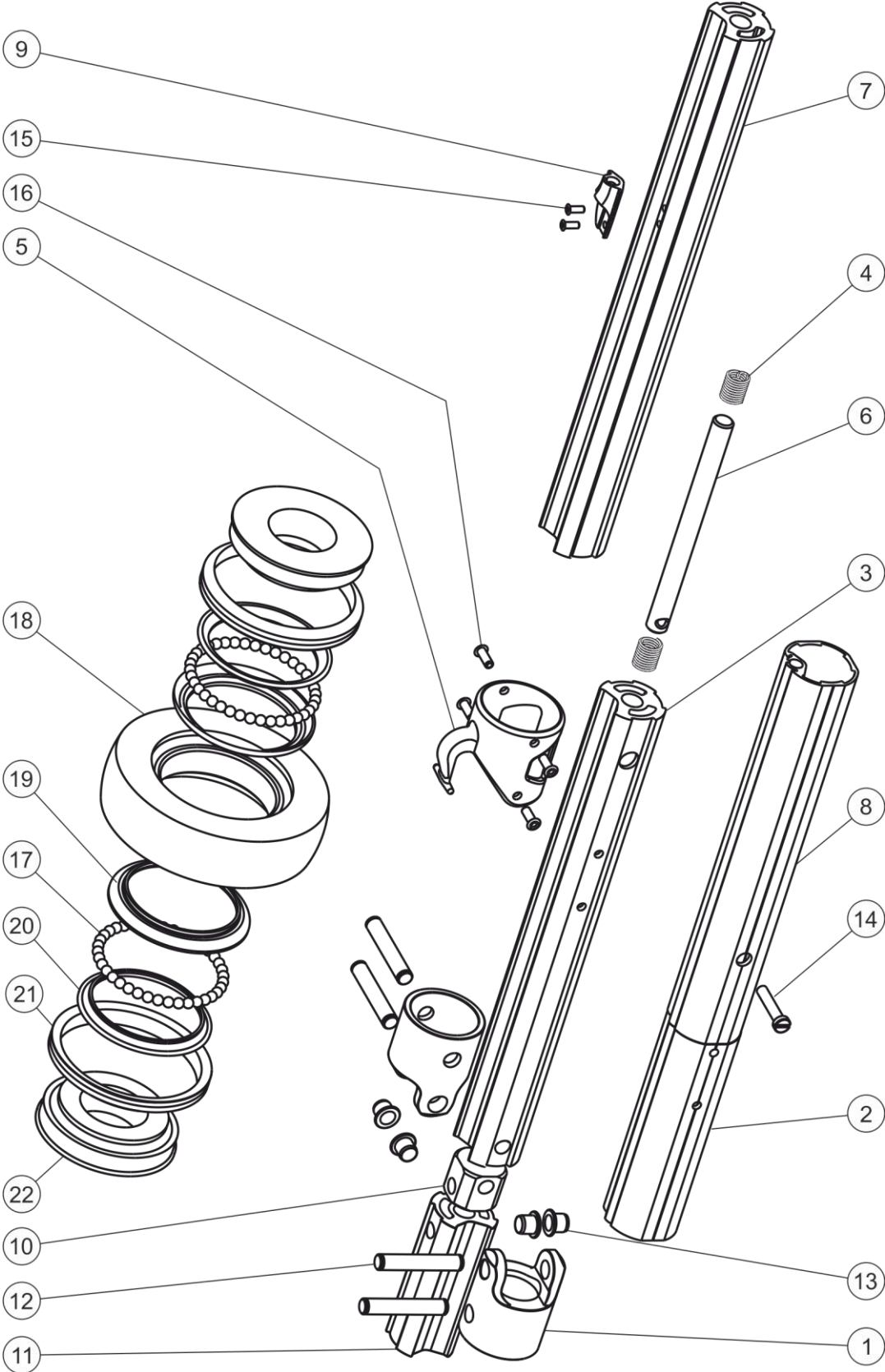
10	BALL	ø8	60	539-128
11	BALL BEARING OUTER	ø90x11	2	539-219
12	WHEEL	ø150x44	1	540-244
13	TENSIONING SCREW	ø32x180	1	540-225
14	POP RIVET	ø6.4x12.7	6	167-004
15	SCREW	M6x22	1	155-034
16	LOCKING TUBE	ø44x300	1	540-227
17	SCREW MC6S	M12x60	2	153-058
18	JOINT	ø53x82	2	540-236
19	FLANGE BUSH	ø20/14/12x10	4	306-306
20	JOINT CUBE	30x30x30	1	533-526
21	PIN (HOLE IN MIDDLE)	ø12x50	1	533-527
22	PIN (HOLE ONE END)	ø12x19	2	533-528
23	SPRING PIN	ø3x30	3	166-512
24	CARDAN SHAFT(UPPER)	L=117	1	540-235
25	REINFORCMENT PLUG	ø32/25x60	1	540-232

6.3 Cardan Shaft Assembly RC (F324)



Item	Description	Dimension	Qty	Part No.
1	Joint	ø53-82	2	540-236
2	Joint cube	30x30x30	1	533-526
3	Pin	ø12x50	1	533-527
4	Pin	ø12x19	2	533-528
5	Flange bush	ø20/14/12	4	306-306
6	Spring pin	ø3x30	3	166-512
7	Cardan shaft	38/38-117	1	540-234
8	Reinforcement plug	32/25-60	1	540-232
9	Pop rivet	ø4.8x9.9	1	167-007
10	Locking tube	44/44-164	1	540-239
11	Screw	M12x60	2	153-058

6.4 Tack Assembly RD (F324, F370, F406)

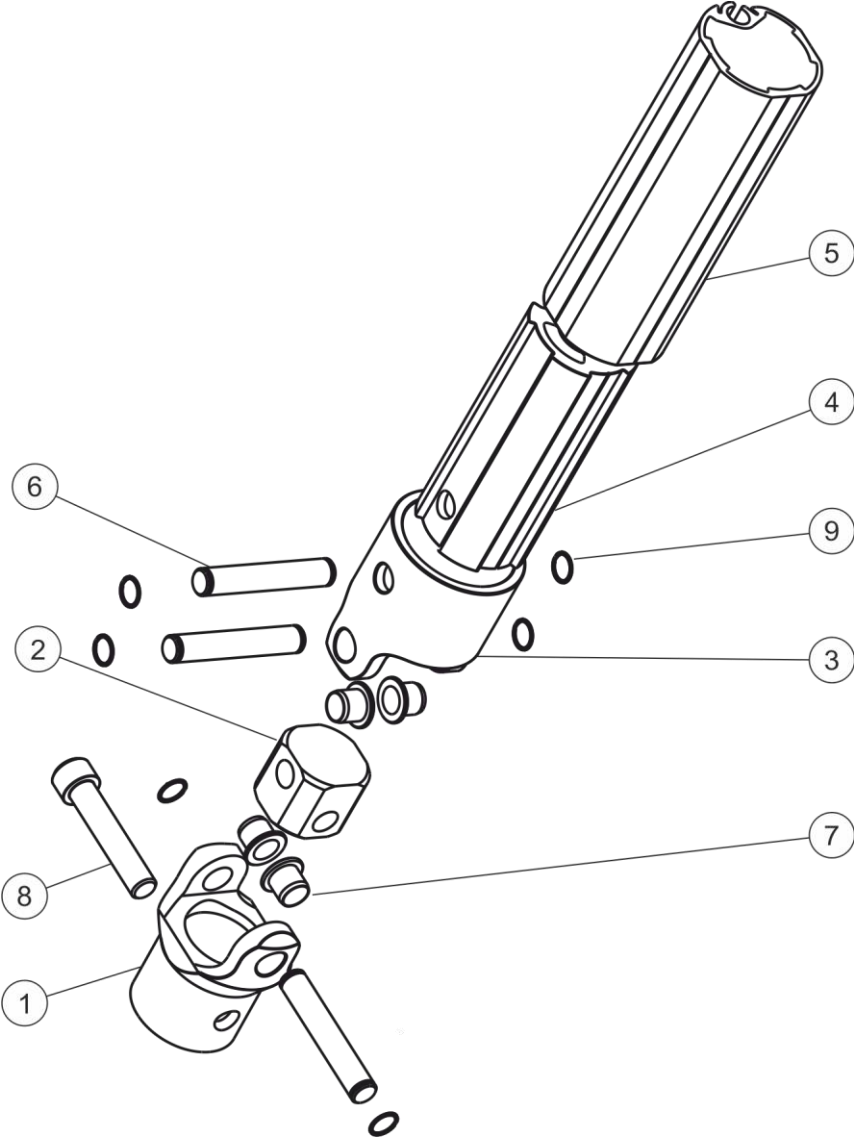


Item	Description	Dimension	Qty	Part No.
1	Joint	Ø53-77	2	540-336
2	Tack tube	Ø58x186	1	540-331
3	Tack tube	Ø53x424	1	540-330
4	Thread insert	M16x24	2	170-107
5	Tack hook	Ø61x70	1	540-324
6	Tensioning screw	M16x197	1	540-325
7	Sail feeder tube	Ø53x490	1	540-333
8	Locking tube	Ø58x340	1	540-327
9	Sail feeder	50x26	1	540-342
10	Die	Ø42x32	1	540-338
11	Cardan shaft-inner	Ø53x117	1	540-334
12	Shaft	Ø12x70	4	166-329
13	Bushing	Ø20/12-14	4	540-339
14	Screw	A4-MC6S 8x40	1	155-023
15	Pop rivet	Ø6.4x18	4	167-002
16	Pop rivet	Ø4.8x12.7	2	167-018
17	Ball	Ø8	76	539-128

			Mast Size					
			F324		F370		F406	
Item	Description	Qty	Dim	Part No.	Dim	Part No.	Dim	Part No.
18	Wheel	1	Ø150x70	540-244	540-238	Ø172x44	Ø187x44	540-268
19	Ball bearing ring-outer	2	Ø99x11	539-219	Ø110x12	539-109	Ø110x12	539-109
20	Ball bearing ring-inner	2	Ø84x8	593-220	Ø104x8	539-110	Ø104x8	539-110
21	V-ring	2	VS-85	530-390	VS-110	530-372	VS-110	530-372
22	Ring	2	Ø89/53-25	540-256	Ø109/53-25	540-346	Ø109/53-25	540-346

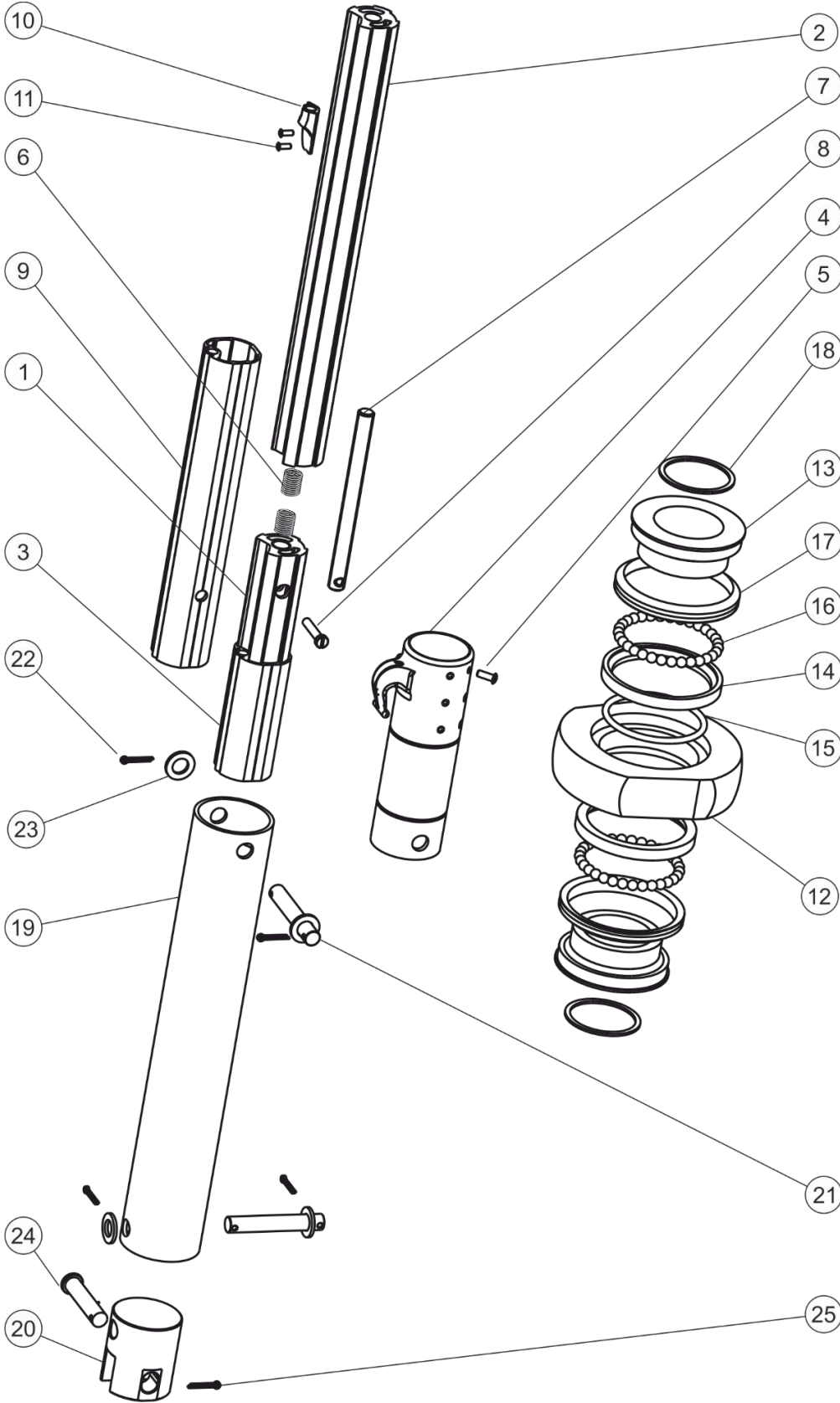
Mast Size	Tack Assy	Dimension
F324	540-331-01	L=964
F370	540-331-02	L=964
F406	540-331-09	L=964

6.5 Cardan Shaft Assembly RD (F324, F370, F406)



Item	Description	Dimension	Qty	Part No.
1	Joint	Ø38-77	1	540-337
2	Die	Ø42x32	1	540-338
3	Joint	Ø53-77	1	540-366
4	Cardan shaft-inner	Ø53x122	1	540-334
5	Cardan shaft-outer	Ø58x158	1	540-335
6	Shaft	Ø12x70	3	166-329
7	Bushing	Ø20/12-14	4	540-339
8	Screw	M12x60	1	153-058
9	Retaining ring	ES-12	6	301-070

6.6 Tack Assembly RD+, 540-331-11 (F406)

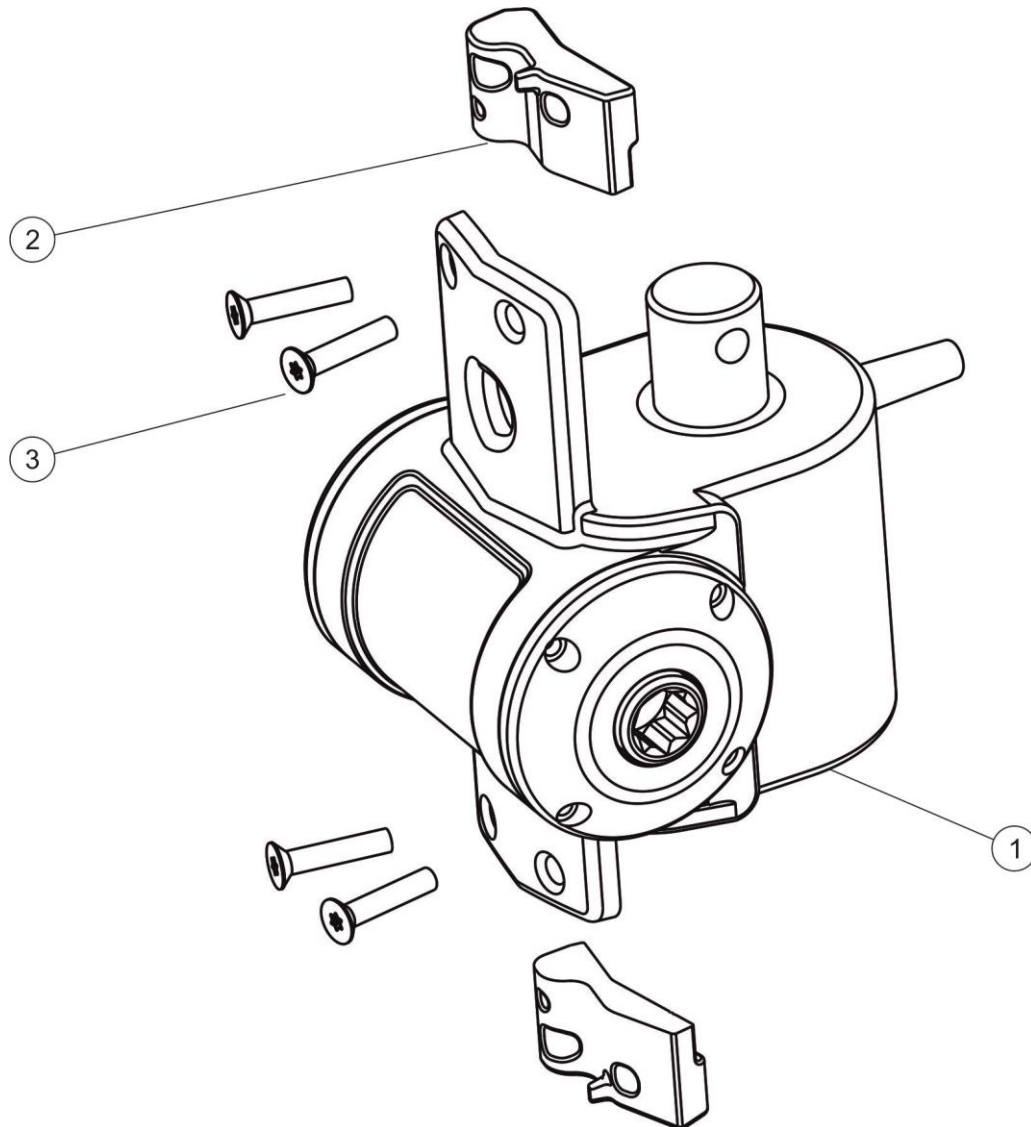


Item	Description	Dimension	Qty	Part No.
1	Tack tube	Ø53x250	1	540-365
2	Sail feeder tube	Ø53x490	1	540-333
3	Tack tube	Ø58x130	1	540-366
4	Tack hook tube	Ø70x200	1	540-364
5	Pop rivet	Ø6.4x17.8	12	167-002
6	Thread insert	M16x24	2	170-107
7	Tensioning screw	M16x200	1	540-325
8	Screw	MCS 8x40	1	155-023
9	Locking tube	Ø58x340	1	540-327
10	Sail feeder	50x26	1	540-342
11	Pop rivet	Ø4.8x12.7	2	167-018
12	Wheel	Ø188/100-44	1	540-269
13	Ball bearing ring inner	Ø100/70-39	2	540-370
14	Ball bearing ring outer	Ø120/100-12	2	540-371
15	O-ring 1)	Ø105x6	1	530-365
16	Ball	Ø10	76	539-050
17	V-ring	VS-110	2	530-372
18	Retaining ring	WST-276	2	301-502
19	Tube	Ø80x478	1	540-387
20	Adapter	Ø70x80	1	541-014
21	Pin	Ø16x101	2	166-142
22	Split pin	Ø3.7x25(28)	4	301-051
23	Washer	Ø30/17-3	4	164-410
24	Clevis pin	Ø16x76	1	165-551
25	Split pin	Ø3.7x25(28)	1	301-051

1) Cut to length L=245

7 Drive unit

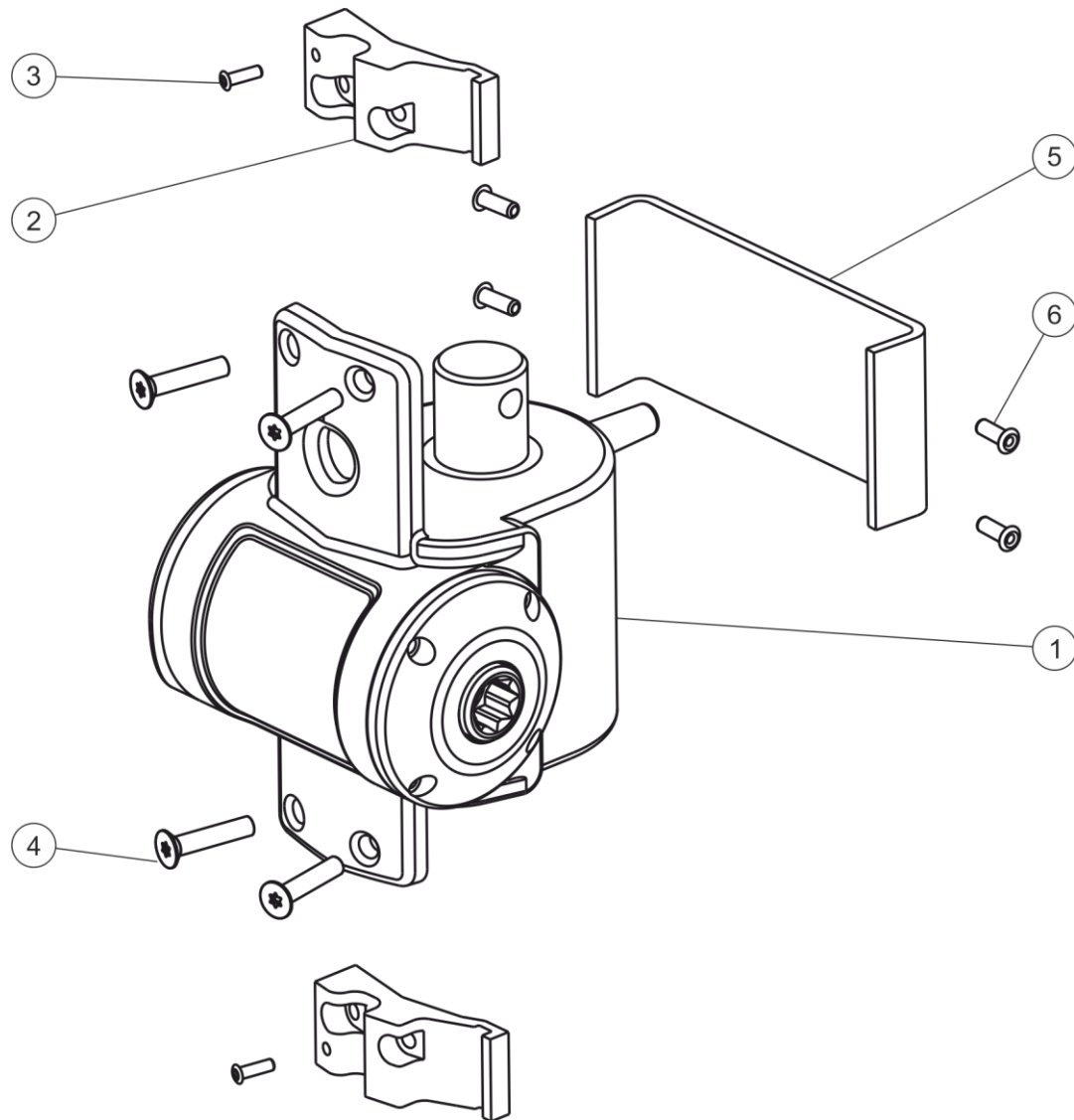
7.1 Drive unit RC (F265, F285, F305)



Item	Description	Dimension	Qty	Part No.
1	Drive unit	OMM-12.5	1	540-822-01
1	Drive unit	OMM-20	1	540-822-02
2	Backing plate 1)	70x74	4	540-162-01
3	Screw	MFT8x40	4	162-037

1)1x 508-162-01 cut in half

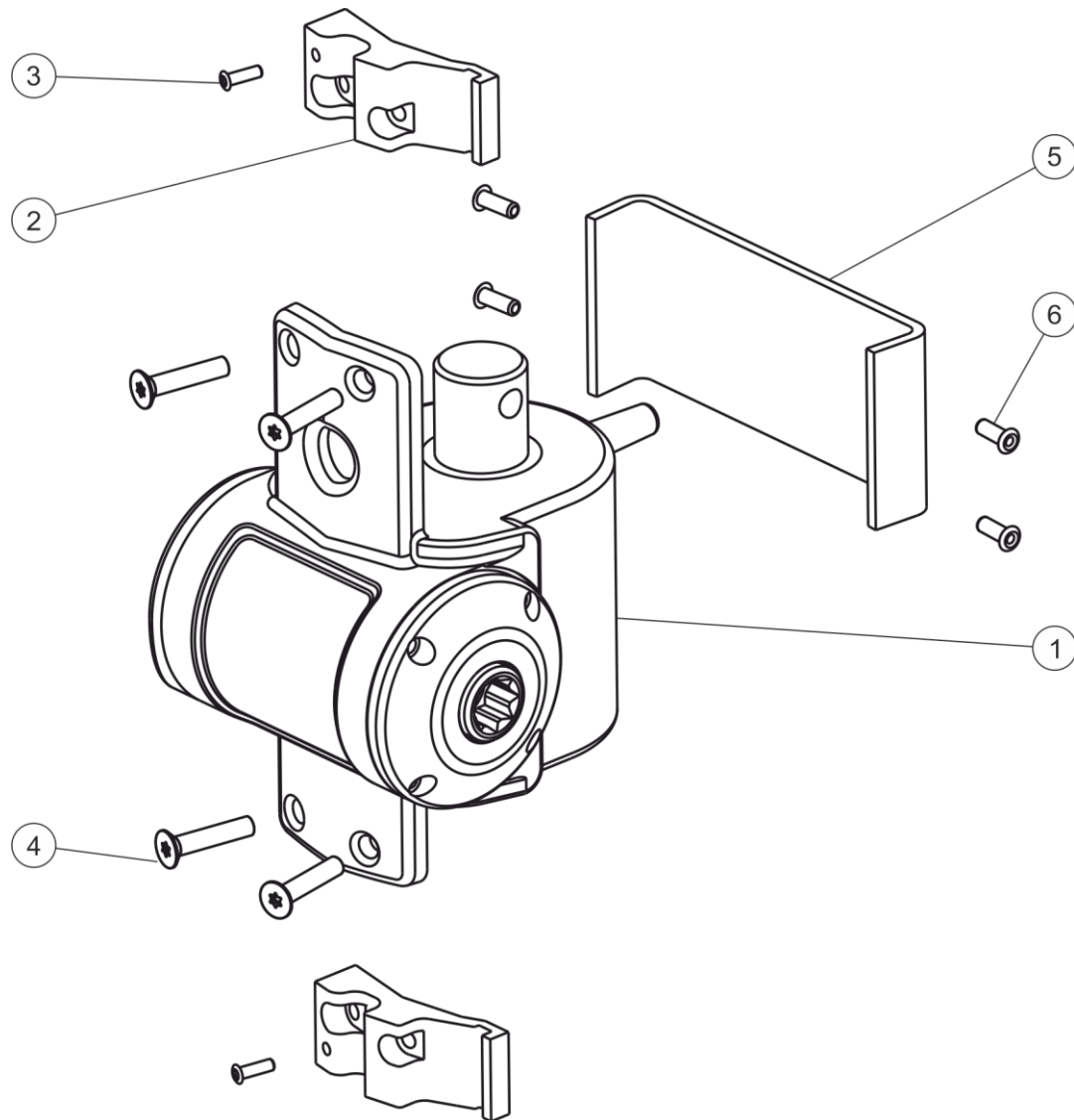
7.2 Drive unit RC (F324)



Item	Description	Dimension	Qty	Part No.
1	Drive unit	OML-12.5	1	540-822-01
1	Drive unit	OML-20	1	540-822-02
2	Backing plate 1)	74X89	2	507-393
3	Pop rivet	Ø4.8X16.5	2	167-006
4	Screw	MFT8x40	4	162-037
5	Support bracket	155X80	1	540-240
6	Pop rivet	ø6.4X17.8	4	167-002

1)1x 597-393 cut in half

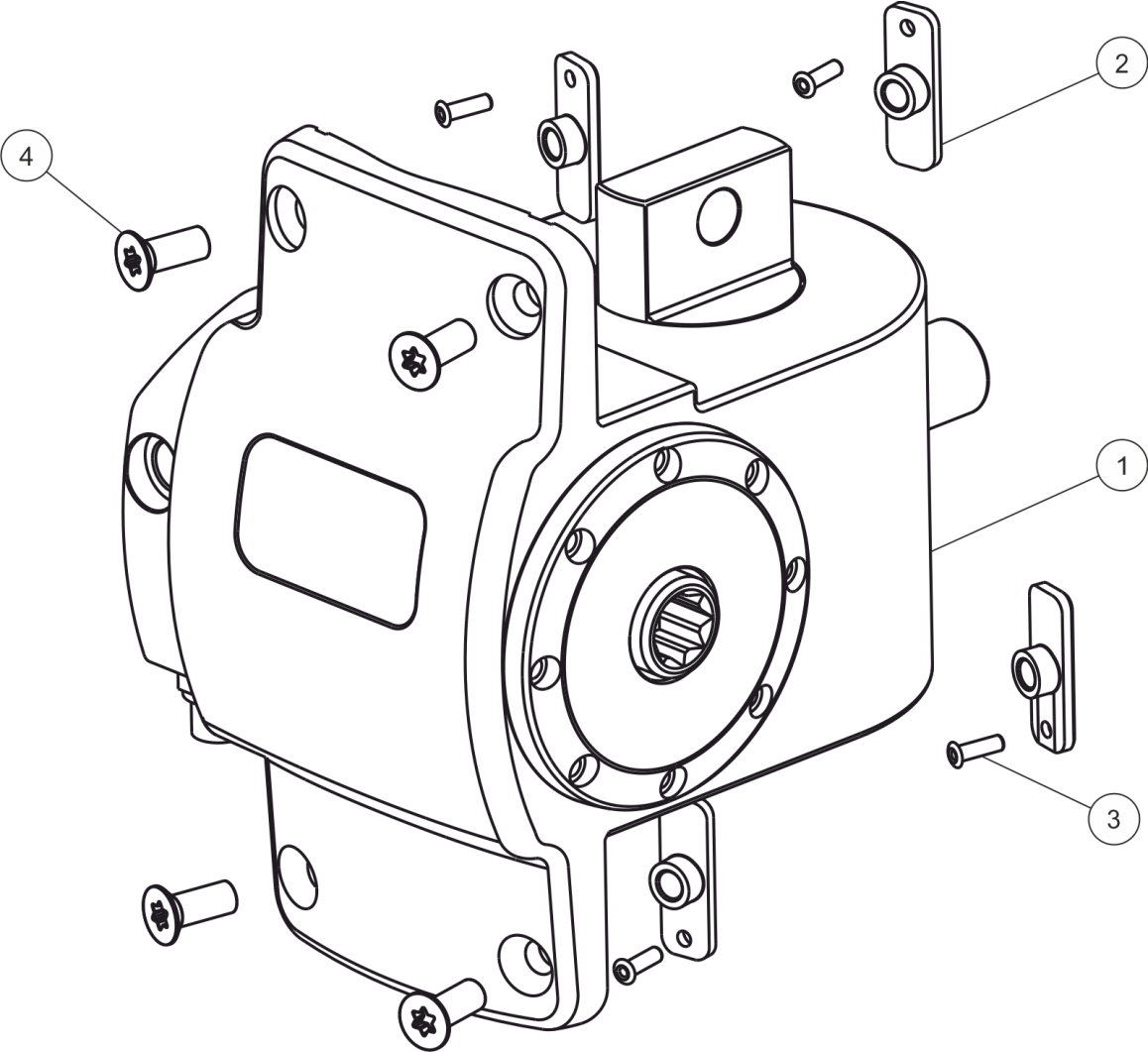
7.3 Drive unit RD (F324, F370, F406)



Item	Description	Qty	Mast Size					
			F324		F370		F406	
			Dim	Part No.	Dim	Part No.	Dim	Part No.
1	Drive unit	1	OML-12.5	540-822-01	OML-12.5	540-822-01	-	-
1	Drive unit	1	OML-20	540-822-02	OML-20	540-822-02	OML-20	540-822-02
2	Backing plate	2	74X89	507-393 1)	74X89	507-393 1)	112x45	508-840-01
3	Pop rivet	2	Ø4.8X16.5	167-006	Ø4.8X16.5	167-006	Ø4.8X16.5	167-006
4	Screw	4	MFT8x40	162-037	MFT8x40	162-037	MFT8x40	162-037
5	Support bracket	1	155X80	540-240	177X80	540-241	190x100	540-242
6	Pop rivet	4	ø6.4X17.8	167-002	ø6.4X17.8	167-002	ø6.4X17.8	167-002

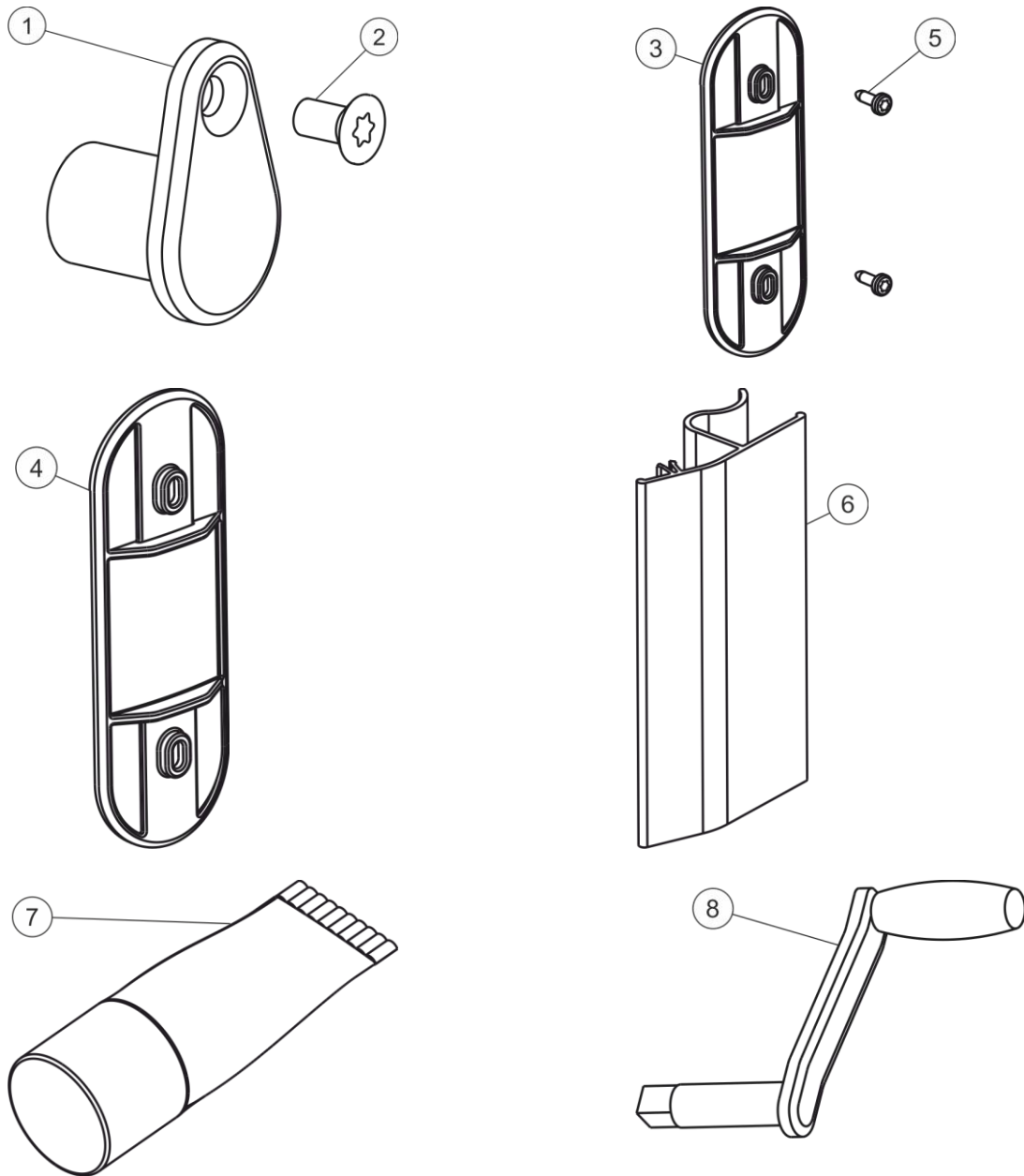
1)1x 597-393 cut in half

7.4 Drive Unit RD+ (F406)



Item	Description	Dimension	Qty	Part No.
1	Drive unit	OMM-32	1	540-803-12
2	Backing plate	52X18	4	508-618
3	Pop rivet	Ø4.8X16.5	4	167-006
4	Screw	MFT10x25	4	162-106

8 Accessories



Item	Description	Dim	Qty	Mast size		
				F324	F370	F406
1	Stopping pin	Ø20-30	2	166-179	166-179	-
1	Stopping pin	Ø20-40	2	-	-	166-303
2	Screw	MFT6x12	2	171-032	171-032	171-032
3	Cover	57x126	2	540-120	540-120	540-120
4	Cover	72x207	2	540-026	540-026	540-026
5	Self-tapping screw	ST	2	171-032	171-032	171-032
6	Sail slot cover	54x27	-	535-711-01	535-711-01	535-711-01
7	Grease	90g	1	312-501	312-501	312-501
8	Emergency Winch handle	L=125	1	533-920	533-920	533-920

DINGHIESKEELBOATSYACHTS

Seldén Mast AB, Sweden
Tel +46 (0)31 69 69 00
Fax +46 (0)31 29 71 37
e-mail info@seldenmast.com

Seldén Mast Limited, UK
Tel +44 (0) 1329 504000
Fax +44 (0) 1329 504049
e-mail info@seldenmast.co.uk

Seldén Mast Inc., USA
Tel +1 843-760-6278
Fax +1 843-760-1220
e-mail info@seldenus.com

Seldén Mast A/S, DK
Tel +45 39 18 44 00
Fax +45 39 27 17 00
e-mail info@seldenmast.dk

Seldén Mid Europe B.V., NL
Tel +31 (0) 111-698 120
Fax +31 (0) 111-698 130
e-mail info@seldenmast.nl

Seldén Mast SAS, FR
Tel +33 (0) 251 362 110
Fax +33 (0) 251 362 185
e-mail info@seldenmast.fr

www.seldenmast.com

Dealer:

The Seldén Group is the world's leading manufacturer of masts and rigging systems in carbon and aluminium for dinghies, keelboats and yachts. The Group consists of Seldén Mast AB in Sweden, Seldén Mast A/S in Denmark, Seldén Mast Ltd in the UK, Seldén Mid Europe B.V. in the Netherlands, Seldén Mast SAS in France and Seldén Mast Inc in the USA. Our well known brands are Seldén and Furlex. The worldwide success of Furlex has enabled us to build a network of over 750 authorised dealers covering the world's marine markets. So wherever you sail, you can be sure of fast access to our service, spare parts and know-how.

 **SELDÉN**