

FURLEX 50S

Jib furling system for boats 18-26 ft

The Furlex 50S is the perfect choice for every sailor who wants a compact, low weight furling and reefing system.

It shares many features with the larger members of the world-famous Furlex family. The patented load distributor in the halyard swivel and the full length distance tubes for smooth rotation are the same as on all the other Furlex models.

Furlex 50S is supplied as a complete kit including forestay wire, halyard lead, stanchion block, pre-feeder and furling line. Easy to order and easy to install.



Uniform cross-section of extrusion from head to tack for better performance of a reefed sail

Single groove extrusion for 5 mm luff tape

Firm, reliable fit

Stainless steel reinforcement in moulding

High quality, glass fibre/polyamide composite

Stainless steel insert for low friction line management

Sta-lok® wire terminal for easy installation

Fork/fork toggle for proper forestay articulation

Stainless steel reinforcement in moulding

Ball bearings and ball bearing rings in marine grade stainless steel

Dyneema® lashing

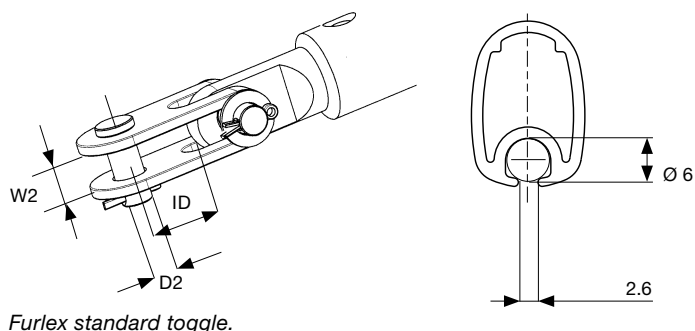
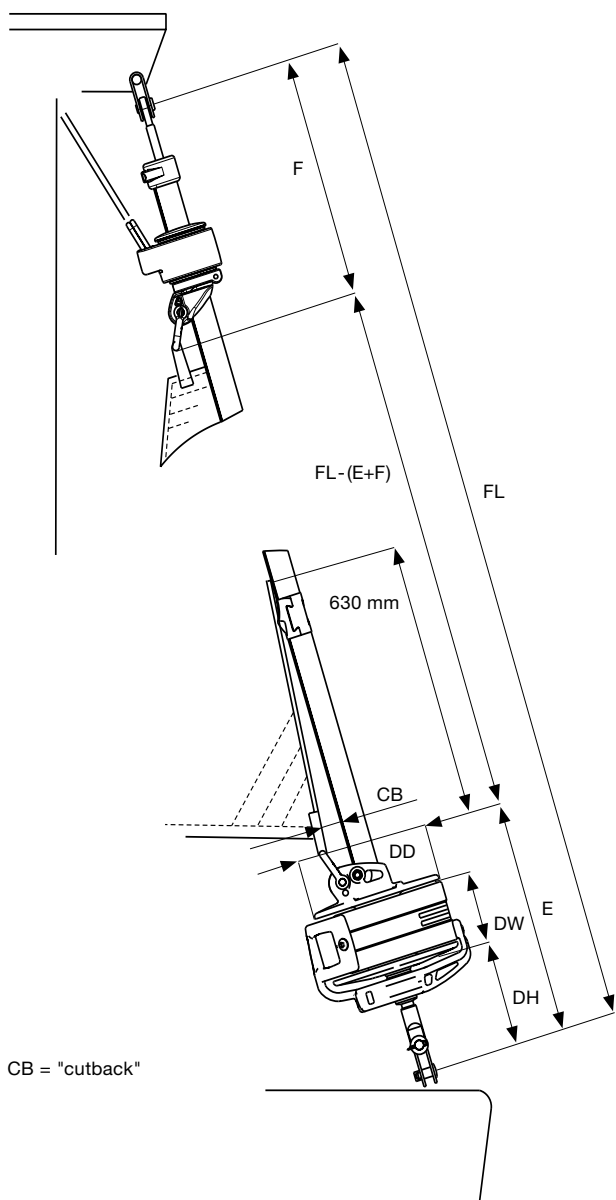
Patented load distributor for easy furling and long service life

Stainless steel sail feeder for smooth hoisting of sail

Composite sail feeder connector

Halyard swivel in composite with stainless steel reinforcement. Low weight (230 g). Low friction due to the load distributor.

 **SELDÉN**
for sailing



Furlex 50S detailed information

Forestay dia. mm	Max righting moment (kNm) at 30° heel		Approx. displacement, tonnes		DH mm	DW mm	DD mm	CB mm	E mm	F mm	ID mm	W2 mm	D2 Clevis pin mm Ø	Halyard sheave box Art. No.
	Masthead rig	Fractional rig	Masthead rig	Fractional rig										
4	6.5	8	1.4	1.7	100	60	120	25	215	360	17	8.5	8	505-004-10
5	8.5	11	1.8	2.5	100	60	120	25	215	360	19	11	10	505-004-10

Forestay dia. mm	Max. forestay length, m	Weight kg	Furlex system Art. No.
4	7.7	7.4	022-015-51
4	10.1	8.1	022-015-52
5	7.7	7.9	022-015-53
5	10.1	8.6	022-015-54
5	12.5	9.7	022-015-55

SELDÉN and FURLEX are registered trademarks of Seldén Mast AB
 Seldén Mast AB, Sweden e-mail info@seldenmast.com
 www.seldenmast.com

 **SELDÉN**
 for sailing